

# Moniteur

# SENTINEL - VPT



**explosion-proof**  
nema 4, 4x, 7, 9

### Industry Approvals:

*Mechanical Switches:*

UL / CSA for Class I, Division 1, Groups C & D; Class II, Division 1, Groups E, F & G

*TTL Switches:*

UL / CSA for Class I, Division 1, Groups C & D; Class II, Division 1, Groups E, F & G; Class I, Division 2, Groups A & B

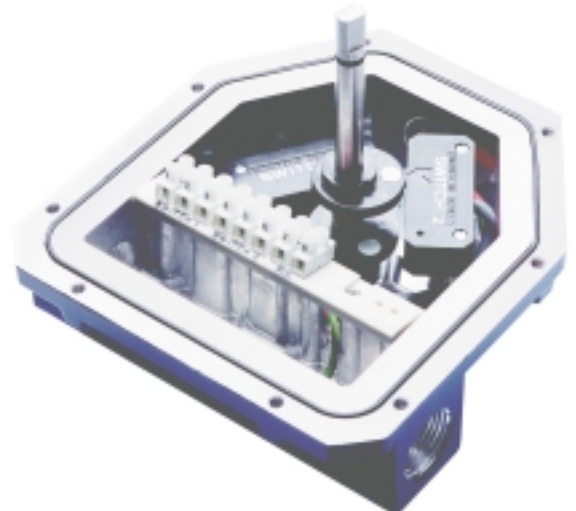
The SENTINEL VPT has been designed to provide the most visible and reliable valve position indication in explosion-proof environments. With both UL and CSA approvals, the Sentinel is the perfect choice.

- Clear Ektar cover offers excellent chemical resistance and strength
- Environmentally sealed indicator on the top of the unit prevents fogging or entry of contaminants
- Indicator is 100% adjustable to any valve or actuator
- Internal Switches and terminal block are labeled for easier installation
- Indicator shaft is secured to the housing with Moniteur's engineered Loc-Ring Cam and Shaft Retention System, ensuring sensing accuracy
- The industry's only "true" visual valve position indicator available for multi-port valves, adjustable to match the physical location of the valve
- "Flat cover" version available without indicator
- Optional thermoplastic quick-mount bracket for NAMUR actuators
- Available with Moniteur's wide variety of switches and sensors for today's advanced control systems

### Visual Indicator Options

Black / Yellow		3-way Path O	
Green / Red		3-way Path T	
Red / Green		3-way Path F	
ANSI Red / White		4-way Path S	
ANSI Green / White		180°	
ANSI Blue / White		120°	

Please see other side for ordering information.



## Intelligent Part Number System

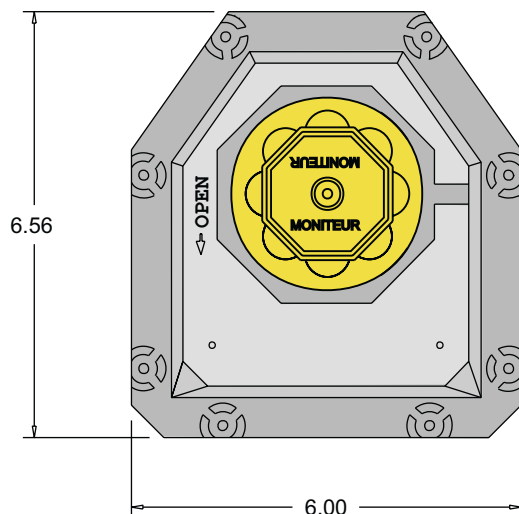
<b>A</b>	<b>M</b>	<b>Y</b>	<b>B</b>	<b>-</b>	<b>5</b>	<b>1</b>	<b>2</b>	<b>0</b>
<i>Series</i>	<i>Cover</i>	<i>Moniteur</i>	<i>Bearing</i>		<i>Shaft</i>	<i>Switch</i>	<i>Quantity</i>	<i>Conduit</i>

<b>Base unit includes:</b>	Black / Yellow indicator Aluminum Enclosure (2) 3/4" NPT conduit entries	2 SPDT 15A mechanical switches Bronze bearings Low profile NAMUR shaft
----------------------------	--	--

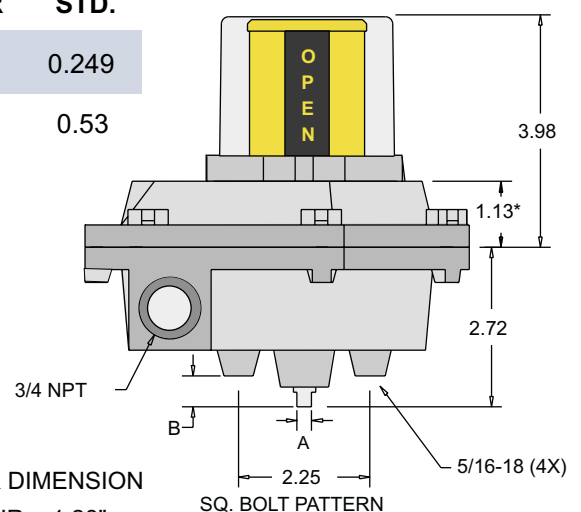
Description	Code	Description	Code	Description	Code
<b>Series: Sentinel</b>	A	<b>Bearing</b>		Rhodium TTL 1A	
<b>Cover</b>		303 Stainless Steel	S	SPDT Non-Contact	T
Moniteur	M	<b>Shaft</b>		Bifurcated TTL	
Flat Cover	F	Standard 303 SS	1	SPST Non-Contact	B
<b>Moniteur</b>		Standard 316 SS	3	P&F NJ2-V3 NAMUR	
No Indicator	N	NAMUR 303 SS	5	Inductive Sensor	8
Black / Yellow	Y	NAMUR 316 SS	7	Moniteur NEO-X	
3-Way Path O,T, F	O,T, F	Long NAMUR 303 SS	E	NO Sensor	A
4-Way Path	S	<b>Switch Type (2 switches)</b>		<b>Switch Quantity</b>	1-6
180 degree T port	1	Cherry 15A		<b>Conduit</b>	
120 degree	3	SPDT Mechanical	1	(2) 3/4" F NPT	0
Green / White	G	Tungsten TTL 3A		(3) 3/4" F	5
Red / White	R	SPDT Non-Contact	2	(2) 3/4" F + (1) 1/2" F NPT	6
Blue / White	B	Prism Gold Plated 1A		(1) 3/4" F + (1) 1/2" M NPT	8
Green / Red	A	SPDT Mechanical	3	<b>Options</b>	
Red / Green	C	ITW 10A		Current 4 - 20mA	- 420
0-100%	P	DPDT Mechanical	4	Resistive 0 - 1k	- 1K

## Dimensions

### Top View



### Side View



	NAMUR	STD.
A	0.156	0.249
B	0.62**	0.53

\* - FLAT COVER DIMENSION

\*\* - LONG NAMUR = 1.28"