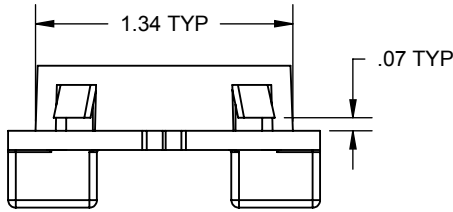
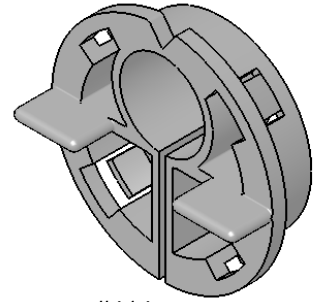


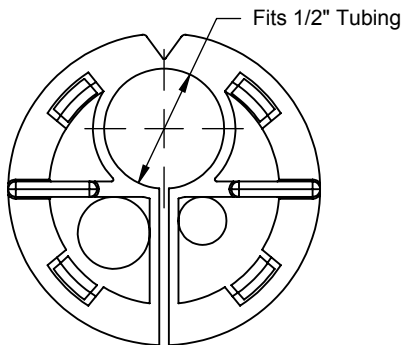
# PRODUCT SPECIFICATION DRAWING HOLDRITE® #414, #415 & #416 Inserts



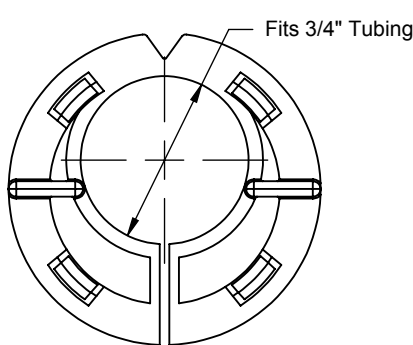
ALL DIMENSIONS IN INCHES



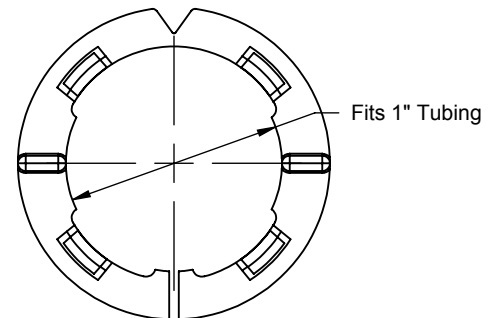
**#414**



**#414**



**#415**



**#416**

**For used with 1-11/32" or 1-3/8" round cut-outs in 18 gage or lighter sheet metal. Ideal for isolation of Copper, PEX or CPVC tubing. Unique finger tabs provide for ease in rotating the eccentric hole patterns of the 1/2" and 3/4" versions.**

## Product Information:

- Material: Polypropylene, Light Gray
- Temperature range: -10 °F to +180 °F

THIS INFORMATION IS PROPRIETARY TO HUBBARD ENTERPRISES AND IS SUBJECT TO CHANGE WITHOUT NOTICE. ANY REPRODUCTION IN PART OR WHOLE WITHOUT THE WRITTEN PERMISSION OF HUBBARD ENTERPRISES IS PROHIBITED.

.....HUBBARD ENTERPRISES.....  
**HOLDRITE®**  
 "Converting Makeshift Methods into Engineered Solutions"

Product Submittal	
Job Name:	
Date:	
Part Number:	Qty:
Architect / Owner:	
Contractor:	
Notes:	