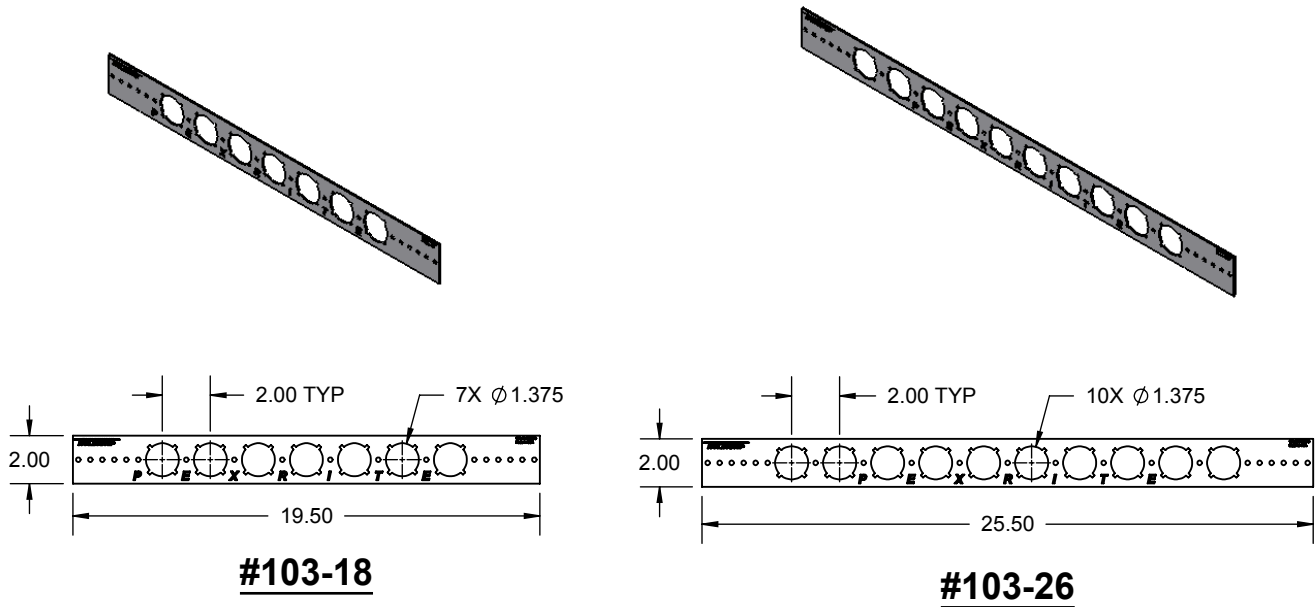


PRODUCT SPECIFICATION DRAWING

PEXRITE® #103-18 & #103-26

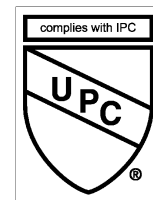


ALL DIMENSIONS IN INCHES

The PEXRITE® #103-18 and #103-26 is a 14 gage galvanized steel bracket with 1-3/8" keyed holes on 2" centers. Positions 1/2", 3/4" or 1" Copper or CPVC tubing and 3/8" or 1/2" PEX. This versatile bracket should be used with HOLDRITE® inserts.

Product Information:

- Material: 14 gage CRS, galvanized
- Load rating: 25 pounds
- Positions 1/2", 3/4" or 1" Copper or CPVC tubing and 3/8" or 1/2" PEX
- UPC / IPC / IAPMO listed



Product Submittal	
Job Name:	
Date:	
Part Number:	Qty:
Architect / Owner:	
Contractor:	
Notes:	

THIS INFORMATION IS PROPRIETARY TO HUBBARD ENTERPRISES AND IS SUBJECT TO CHANGE WITHOUT NOTICE. ANY REPRODUCTION IN PART OR WHOLE WITHOUT THE WRITTEN PERMISSION OF HUBBARD ENTERPRISES IS PROHIBITED.

••••HUBBARD ENTERPRISES••••

HOLDRITE®

"Converting Makeshift Methods into Engineered Solutions"