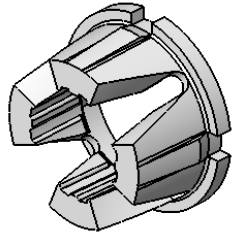


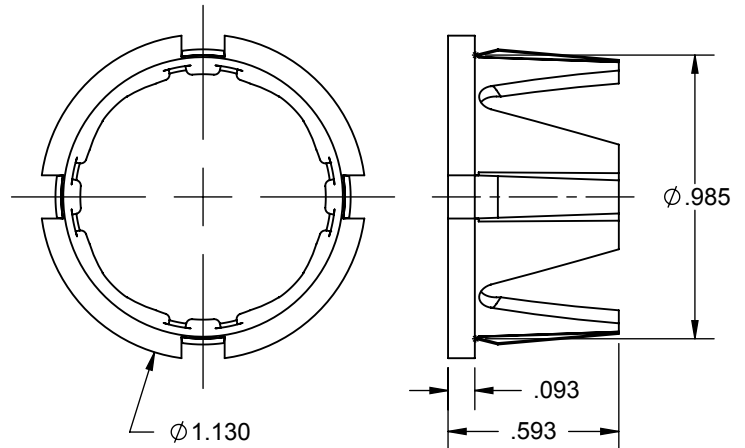
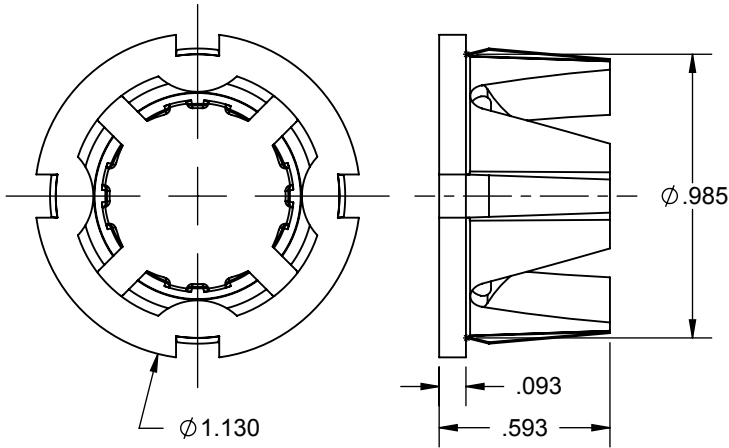
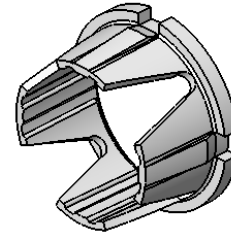
PRODUCT SPECIFICATION DRAWING

LOCKRITE™ #604 & #605 Inserts

#604 (1/2")



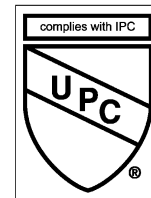
#605 (3/4")



The LOCKRITE™ #604 and #605 inserts are designed to work with our #601 and #609-N-6 brackets for securing CPVC tubing. Treat inserts as you would fittings by generously applying glue to both the pipe and insert to secure stub-out in place.

Product Information:

- Material: PVC, white
- Temperature range: -10°F to +150°F
- Load rating: 25 pounds
- UPC / IPC / IAPMO listed



Product Submittal	
Job Name:	
Date:	
Part Number:	Qty:
Architect / Owner:	
Contractor:	
Notes:	

THIS INFORMATION IS PROPRIETARY TO HUBBARD ENTERPRISES AND IS SUBJECT TO CHANGE WITHOUT NOTICE. ANY REPRODUCTION IN PART OR WHOLE WITHOUT THE WRITTEN PERMISSION OF HUBBARD ENTERPRISES IS PROHIBITED.

••••HUBBARD ENTERPRISES••••
HOLDRITE®
"Converting Makeshift Methods into Engineered Solutions"