

Moniteur

SENTINEL - VPT



explosion-proof
nema 4, 4x, 7, 9

Industry Approvals:

Mechanical Switches: UL / CSA for Div 1 & 2, Class I, Groups C & D;
Div 1 & 2, Class II, Groups E, F & G

TTL Switches: UL / CSA for Div 1 & 2, Class I, Groups C & D;
Div 1 & 2, Class II, Groups E, F & G; Div 2, Groups A & B

Visual Indicator Options

Black / Yellow		3-way Path O	
Green / Red		3-way Path T	
Red / Green		3-way Path F	
ANSI Red / White		4-way Path S	
ANSI Green / White		180°	
ANSI Blue / White		120°	

Please see other side for ordering information.

The SENTINEL VPT has been designed to provide the most visible and reliable valve position indication in explosion-proof environments. With both UL and CSA approvals, the Sentinel is the perfect choice.

- Clear Ektar cover offers excellent chemical resistance and strength
- Environmentally sealed indicator on the top of the unit prevents fogging or entry of contaminants
- Indicator is 100% adjustable to any valve or actuator
- Internal Switches and terminal block are labeled for easier installation
- Indicator shaft is secured to the housing with Moniteur's engineered Loc-Ring Cam and Shaft Retention System, ensuring sensing accuracy
- The industry's only "true" visual valve position indicator available for multi-port valves, adjustable to match the physical location of the valve
- "Flat cover" version available without indicator
- Optional thermoplastic quick-mount bracket for NAMUR actuators
- Available with Moniteur's wide variety of switches and sensors for today's advanced control systems



Intelligent Part Number System

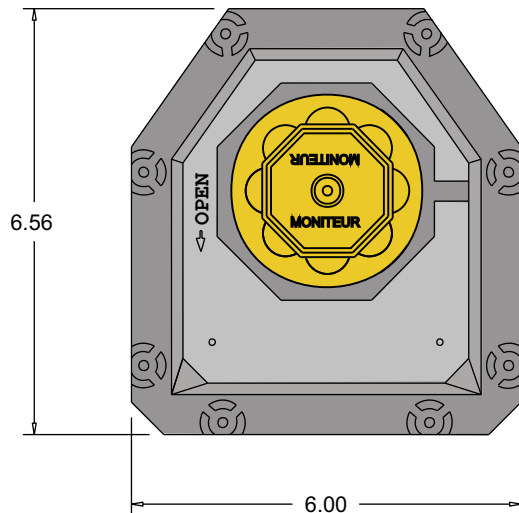
A	M	Y	B	-	5	1	2	0
Series	Cover	Moniteur	Bearing		Shaft	Switch	Quantity	Conduit

Base unit includes:	Black / Yellow indicator Aluminum Enclosure (2) 3/4" NPT conduit entries	2 SPDT 15A mechanical switches Bronze bearings Low profile NAMUR shaft
----------------------------	--	--

Description	Code	Description	Code	Description	Code
Series: Sentinel	A	Bearing		Rhodium TTL 1A	T
Cover		Bronze	B	SPDT Non-Contact	
Moniteur	M	303 Stainless Steel	S	Bifurcated TTL	B
Flat Cover	F	Shaft		SPST Non-Contact	
Moniteur		Standard 303 SS	1	P&F NJ2-V3 NAMUR	8
No Indicator	N	Standard 316 SS	3	Inductive Sensor	
Black / Yellow	Y	NAMUR 303 SS	5	Moniteur NEO-X	A
3-Way Path O,T, F	O,T, F	NAMUR 316 SS	7	NO Sensor	
4-Way Path	S	Long NAMUR 303 SS	E	Switch Quantity	1-6
180 degree T port	1	Switch Type (2 switches)		Conduit	
120 degree	3	Cherry 15A	1	(2) 3/4" F NPT	0
Green / White	G	SPDT Mechanical		(3) 3/4" F	5
Red / White	R	Tungsten TTL 3A	2	(2) 3/4" F + (1) 1/2" F NPT	6
Blue / White	B	SPDT Non-Contact		(1) 3/4" F + (1) 1/2" M NPT	8
Green / Red	A	Prism Gold Plated 1A	3	Options	
Red / Green	C	SPDT Mechanical		Current 4 - 20mA	- 420
0-100%	P	ITW 10A	4	Resistive 0 - 1k	- 1K
		DPDT Mechanical			

Dimensions

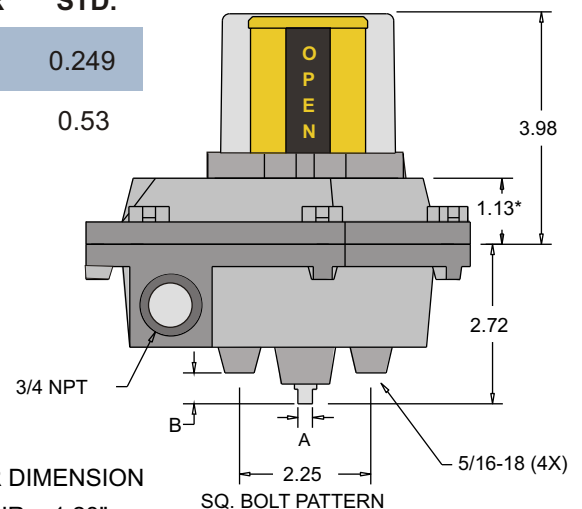
Top View



NAMUR STD.

A	0.156	0.249
B	0.62**	0.53

Side View



* - FLAT COVER DIMENSION

** - LONG NAMUR = 1.28"