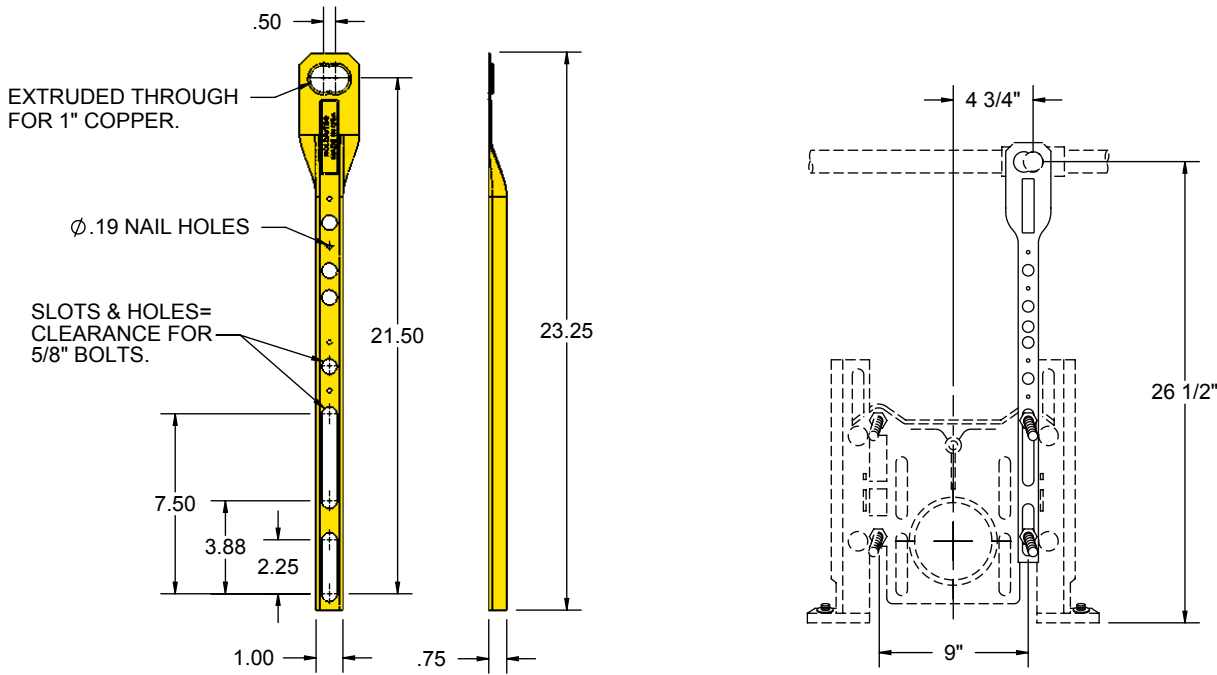


# PRODUCT SPECIFICATION DRAWING

## HOLDRITE® #114-CO

### Supports flush valves on carriers

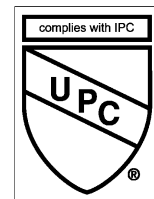


ALL DIMENSIONS IN INCHES

**This heavy-gage Copper-Bonded™ #114-CO offset carrier bracket mounts directly to a 4-bolt siphon jet closet carrier and positions the flush valve at 14" above the top carrier mounting bolt, and offsets it 4-3/4" from the center of the carrier. A patent pending "Figure 8" hole pattern on top provides 1/4" left or right offset for flush valve support providing a single bracket to be used in a left or right hand installation while providing the desired 4-3/4" center line rough-in. This installation typically places the flush valve at 11-1/2" above the fixture. When soldering, heat the pipe, not the bracket.**

#### Product Information:

- Material: 16 gage CRS, Copper-Bonded™
- Works with all 4 bolt siphon jet carriers
- Unique flush valve support hole accommodates a 4-3/4" center line rough-in
- Includes 1/2" holes for positioning various trap primers
- Works with current #114-C-EXT brackets
- UPC / IPC / IAPMO listed
- Patent Pending



THIS INFORMATION IS PROPRIETARY TO HUBBARD ENTERPRISES AND IS SUBJECT TO CHANGE WITHOUT NOTICE. ANY REPRODUCTION IN PART OR WHOLE WITHOUT THE WRITTEN PERMISSION OF HUBBARD ENTERPRISES IS PROHIBITED.

.....HUBBARD ENTERPRISES.....  
**HOLDRITE®**  
 "Converting Makeshift Methods into Engineered Solutions"

Product Submittal	
Job Name:	
Date:	
Part Number:	Qty:
Architect / Owner:	
Contractor:	
Notes:	