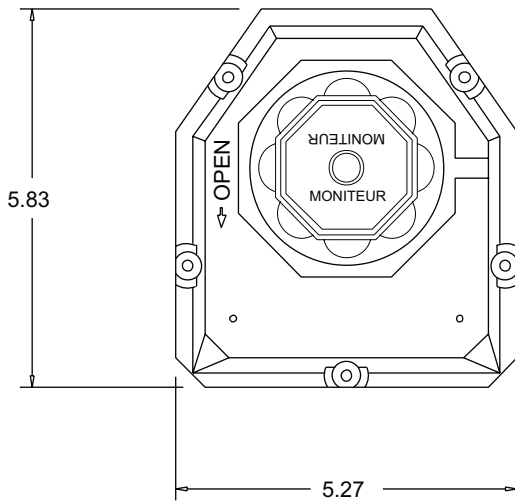


# Moniteur

# WATCHMAN VPT

## Dimensions

### Top View



### NAMUR STD.

A	0.156	0.249
B	0.62**	0.53

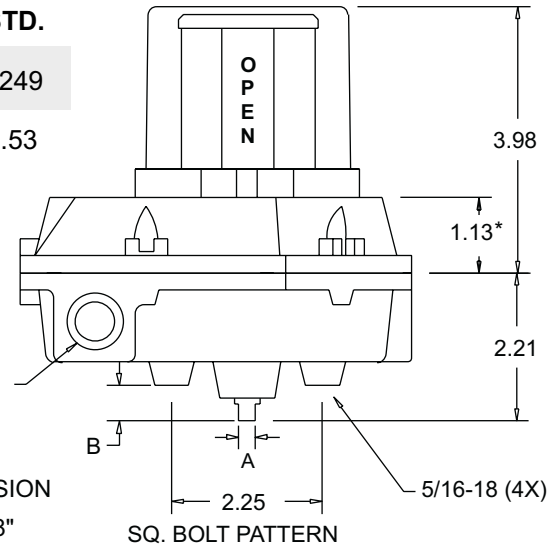


1/2 NPT

\* - FLAT COVER DIMENSION

\*\* - LONG NAMUR = 1.28"

### Side View



## General Specifications

Nema Rating	4,4x
Housing / Cover	Aluminum
Indicator Cover	Ektar
Seals	BUNA-N
Fasteners	Stainless Steel
Terminal Points	8
Weight	3.0 lbs.
Operating Temp.	-40° F to 175° F
Agency Approvals	CSA

## How To Specify

Valve position transmitter shall be Moniteur model \_\_\_\_\_. Enclosure shall be aluminum with a polyurethane coating and rated Nema 4, 4x. Visual indicator shall have 100% display change, 360° visibility and full set point adjustability. Indicator cover shall be free of decals or paint and sealed with an O-ring. Enclosure shall have captive cover bolts. Enclosure shaft shall be attached to the housing with an internal stainless steel locking ring, environmentally protected with an O-ring. The switch/sensor type shall be \_\_\_\_\_. All switches and terminals must be enclosed and marked for identification. Terminal strip must be angle-mounted for easier installation.

## Intelligent Part Numbering System - place your part number in the boxes below

<b>F</b>									
Series	Cover	Moniteur	Bearing	-	Shaft	Switch	Quantity	Conduit	

Description	Code	Description	Code	Description	Code
<b>Series: Watchman</b>	F	<b>Bearing</b>		Rhodium TTL 1A	
<b>Cover</b>		Bronze	B	SPDT Non-Contact	T
With Moniteur	M	303 Stainless Steel	S	Bifurcated TTL	
Flat Cover (No Moniteur)	F	<b>Shaft</b>		SPST Non-Contact	B
<b>Moniteur</b>		Standard 303 SS	1	P&F NJ2-V3 NAMUR	
No Indicator	N	Standard 316 SS	3	Inductive Sensor	8
Black / Yellow	Y	NAMUR 303 SS	5	Moniteur NAMUR	
3-Way Path O, T, F	O, T, F	NAMUR 316 SS	7	Inductive Sensor	M
4-Way Path	S	Long NAMUR 303 SS	E	<b>Switch Quantity</b>	1-4
180 degree T-port	1	<b>Switch Type</b>		<b>Conduit</b>	
120 degree	3	Cherry 15A		(2) 1/2" F NPT	0
180 degree L-port	5	SPDT Mechanical	1	(3) 1/2" F NPT	6
Green / White	G	Tungsten TTL 3A		(1) 1/2" F NPT + (1) 1/2" M NPT	8
Red / White	R	SPDT Non-Contact	2	<b>Output</b> (add suffix to part number)	
Blue / White	B	Prism Gold Plated 1A		Current 4 - 20mA	- 420
Green / Red	A	SPDT Mechanical	3	Resistive 0 - 1k	- 1K
Red / Green	C	ITW 10A			
0-100%	P	DPDT Mechanical	4		