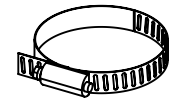
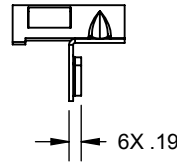
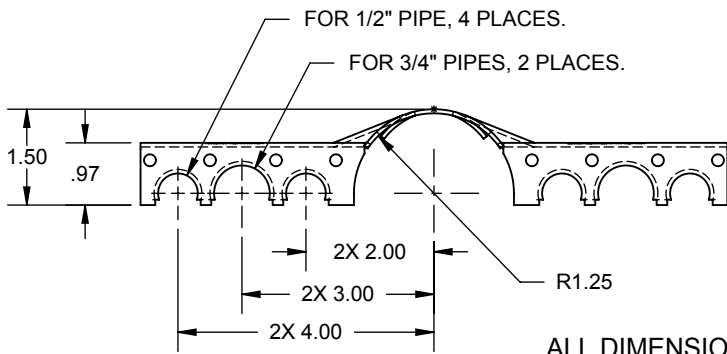
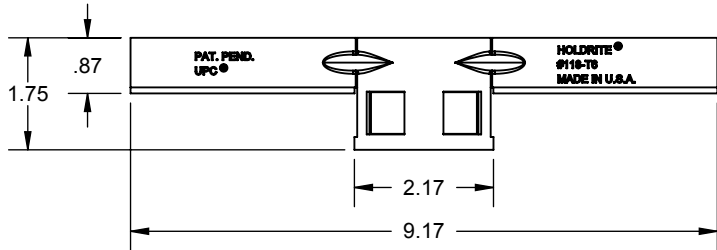
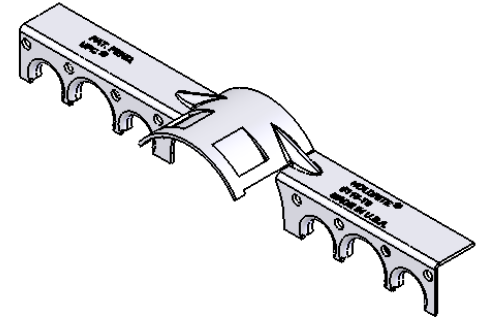


# PRODUCT SPECIFICATION DRAWING

## HOLDRITE® #118-T6



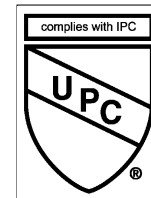
3" Stainless Steel band

ALL DIMENSIONS IN INCHES

The HOLDRITE® #118-T6 is a Copper-Bonded™ bracket designed to support 1/2" and 3/4" tubing. This bracket mounts directly onto a horizontal or vertical pipe. It is designed to position water supplies for lavatories and other fixtures and is ideal as a mid span support within a 2-1/2" or wider wall. Packaged with a self-locking 3" stainless steel band and self-adhesive isolation felt. When used for copper tubing, solder directly to the bracket. Heat the tubing, not the bracket.

### Product Information:

- Material: 16 gage CRS, Copper-Bonded™
- Load rating: 25 pounds
- UPC / IPC / IAPMO listed



THIS INFORMATION IS PROPRIETARY TO HUBBARD ENTERPRISES AND IS SUBJECT TO CHANGE WITHOUT NOTICE. ANY REPRODUCTION IN PART OR WHOLE WITHOUT THE WRITTEN PERMISSION OF HUBBARD ENTERPRISES IS PROHIBITED.

.....HUBBARD ENTERPRISES.....  
**HOLDRITE®**

*"Converting Makeshift Plumbing Methods into Engineered Solutions"*

Product Submittal	
Job Name:	
Date:	
Part Number:	Qty:
Architect / Owner:	
Contractor:	
Notes:	