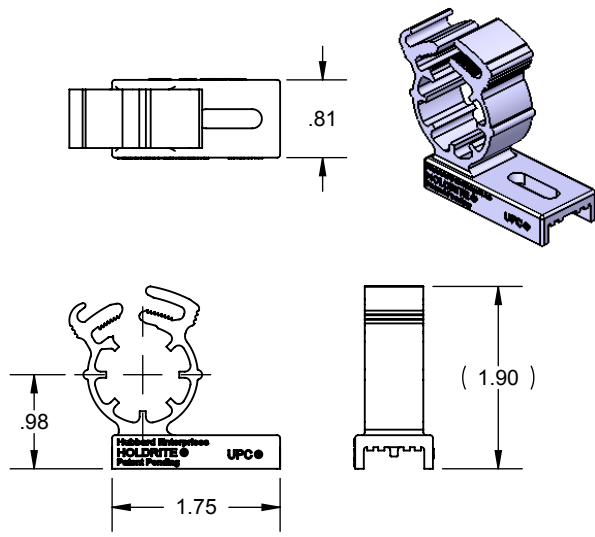
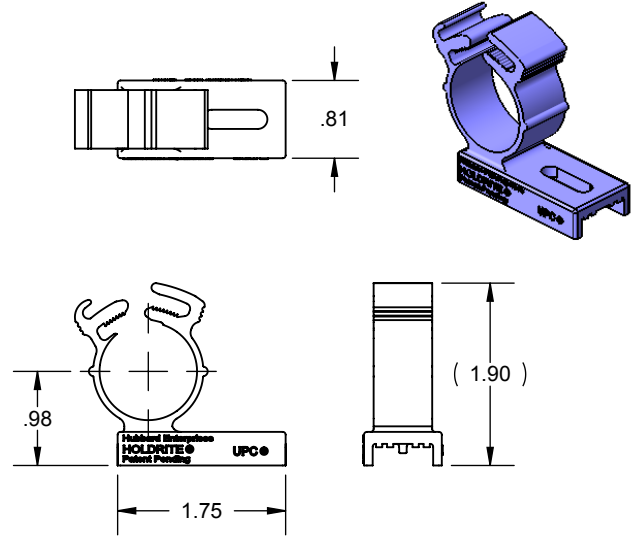


PRODUCT SPECIFICATION DRAWING

HOLDRITE® PRO CLAMP™ #201 & #202 (short)



Model #201 (1/2" CTS)



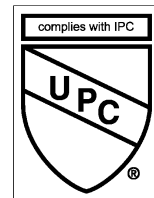
Model #202 (3/4" CTS)

ALL DIMENSIONS IN INCHES

The HOLDRITE® #201 and #202 Pro Clamps attach with a single fastener to the Stout Bracket™, EZ-Strut™ or other surfaces. "Flame Rated" per UL94V-2 standard.

Product Information:

- Material: Nylon, blue, fire retardant to UL94V-2
- Load rating: 25 pounds
- Temperature rating: -10°F to 180°F
- Mounts to HOLDRITE® Stout Brackets™, EZ-Strut™ and #170 Series Brackets
- Attached directly to stud, joist, etc
- Holds CTS Copper, CPVC, PEX and PVC
- IAPMO listed, per standard PS42-96
- UPC / IPC Listed



THIS INFORMATION IS PROPRIETARY TO HUBBARD ENTERPRISES AND IS SUBJECT TO CHANGE WITHOUT NOTICE. ANY REPRODUCTION IN PART OR WHOLE WITHOUT THE WRITTEN PERMISSION OF HUBBARD ENTERPRISES IS PROHIBITED.



Product Submittal	
Job Name:	
Date:	
Part Number:	Qty:
Architect / Owner:	
Contractor:	
Notes:	