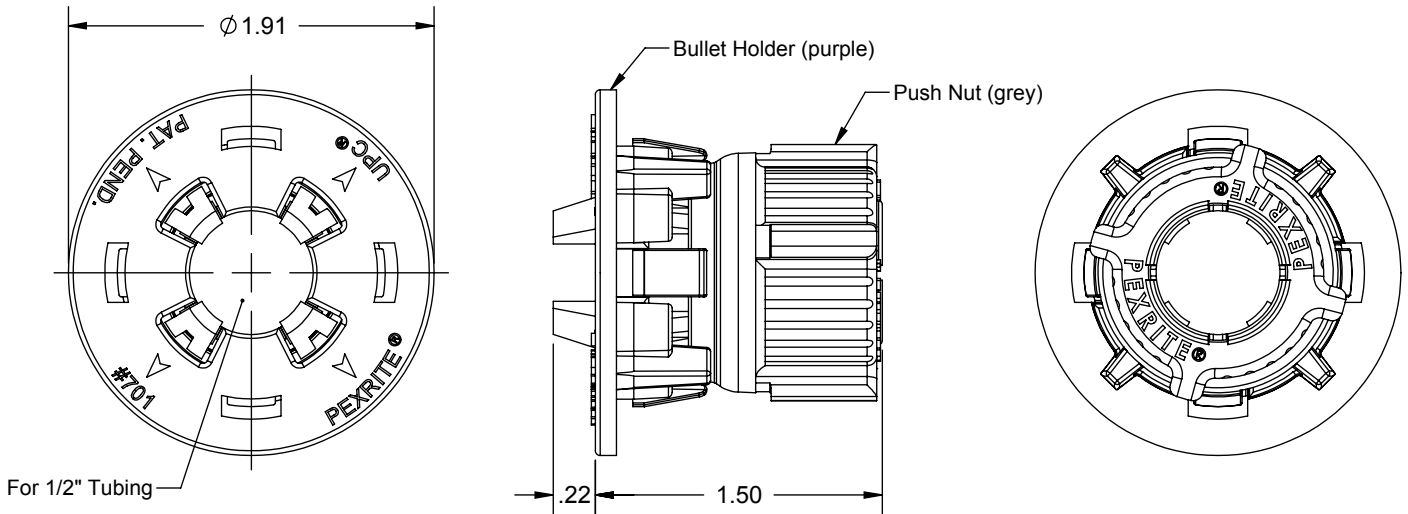
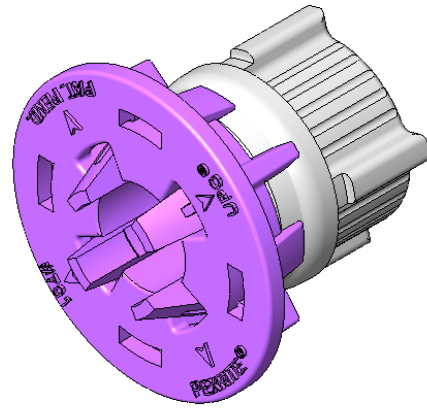


PRODUCT SPECIFICATION DRAWING

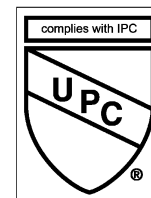
PEXRITE® LOCK-n-LOAD™ #701



The PEXRITE® LOCK-n-LOAD™ #701 is a clamp that mounts into our PEXRITE #103, #709, #110-R or #721 Series Bracket. This clamp requires no hardware to install and is designed to firmly grip fixture stub-outs such as bullets or similar 1/2" CTS tubing. The PEXRITE LOCK-n-LOAD #701 is for use with PEXRITE Brackets only.

Product Information:

- Material: Nylon
- Color: Purple (Bullet Holder), Grey (Push Nut)
- Temperature range: -10°F to +140°F (tentative)
- Load rating: 25 pounds
- UPC / IPC / IAPMO listed



Product Submittal	
Job Name:	
Date:	
Part Number:	Qty:
Architect / Owner:	
Contractor:	
Notes:	

THIS INFORMATION IS PROPRIETARY TO HUBBARD ENTERPRISES AND IS SUBJECT TO CHANGE WITHOUT NOTICE. ANY REPRODUCTION IN PART OR WHOLE WITHOUT THE WRITTEN PERMISSION OF HUBBARD ENTERPRISES IS PROHIBITED.

••••HUBBARD ENTERPRISES••••
HOLDRITE®
"Converting Makeshift Methods into Engineered Solutions"