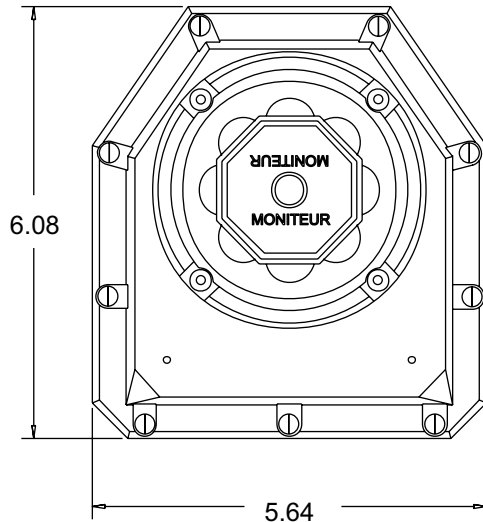


Moniteur

SURVIVOR-II VPT

Dimensions

Top View



NAMUR STD.

A	0.156	0.249
B	0.62**	0.53



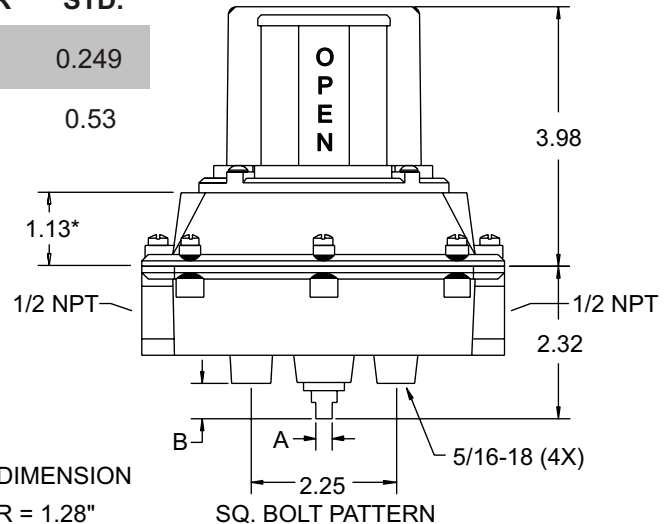
Pending

* - FLAT COVER DIMENSION

** - LONG NAMUR = 1.28"

Side View

Div 2



General Specifications

Nema Rating	4,4x
Housing / Cover	SuperTough Zytel
Indicator Cover	Ektar
Seals	BUNA-N
Fasteners	Stainless Steel
Terminal Points	8
Weight	1.75 lbs.
Operating Temp.	-40° F to 175° F

How To Specify

Valve position transmitter shall be Moniteur model _____. Enclosure shall be SuperTough Zytel and rated Nema 4, 4x. Visual indicator shall have 100% display change, 360° visibility and full set point adjustability. Indicator cover shall be free of decals or paint and sealed with an O-ring. Enclosure shall have captive cover bolts. Enclosure shaft shall be attached to the housing with an internal stainless steel locking ring, environmentally protected with an O-ring. The switch/sensor type shall be _____. All switches and terminals must be enclosed and marked for identification. Terminal strip must be angle-mounted for easier installation.

Industry Approvals

(FM Non-Incendive)-(CSA Div 2): Electrical Equipment for use in Class I, Groups A, B, C, D; Class II Groups E, F, G -

Intelligent Part Numbering System - place your part number in the boxes below

R				-				
Series	Cover	Moniteur	Bearing		Shaft	Switch	Quantity	Conduit

Description

Code

Series: Survivor II

Div 2 CSA	R
Non-Incendive (FM)	Q
(pending)	

Cover

With Moniteur	M
Flat Cover (No Moniteur)	F

Moniteur

No Indicator	N
Black / Yellow	Y
3-Way Path O,T, F	O, T, F
4-Way Path	S
180 degree T-port	1
120 degree	3
180 degree L-port	5
Green / White	G
Red / White	R
Blue / White	B
Green / Red	A
Red / Green	C
0-100%	P

Description

Code

Bearing / Inserts

303 Stainless Steel	S
Shaft	
Standard 303 SS	1
Standard 316 SS	3
NAMUR 303 SS	5
NAMUR 316 SS	7
Long NAMUR 303 SS	E

Switch Type

Tungsten TTL	2
SPDT Non-Contact	
2.0A 24VDC	
1.0A 30VAC	
Rhodium TTL	T
SPDT Non-Contact	
2.0A 24VDC	
1.0A 30VDC	

Description

Code

Switch Quantity

1-4	
Conduit	
(2) 1/2" F NPT SS	0
(3) 1/2" F NPT SS	6
(1) 1/2" F NPT + (1) M 1/2" NPT	8
Div 2 Solenoid Mounted	9

Options

Viton O-rings	- V
12 Terminal Points	- T12
16 Terminal Points	- T16
Wago Terminal Points	- TW
Double O-rings	- DR
Div 2 Solenoid	