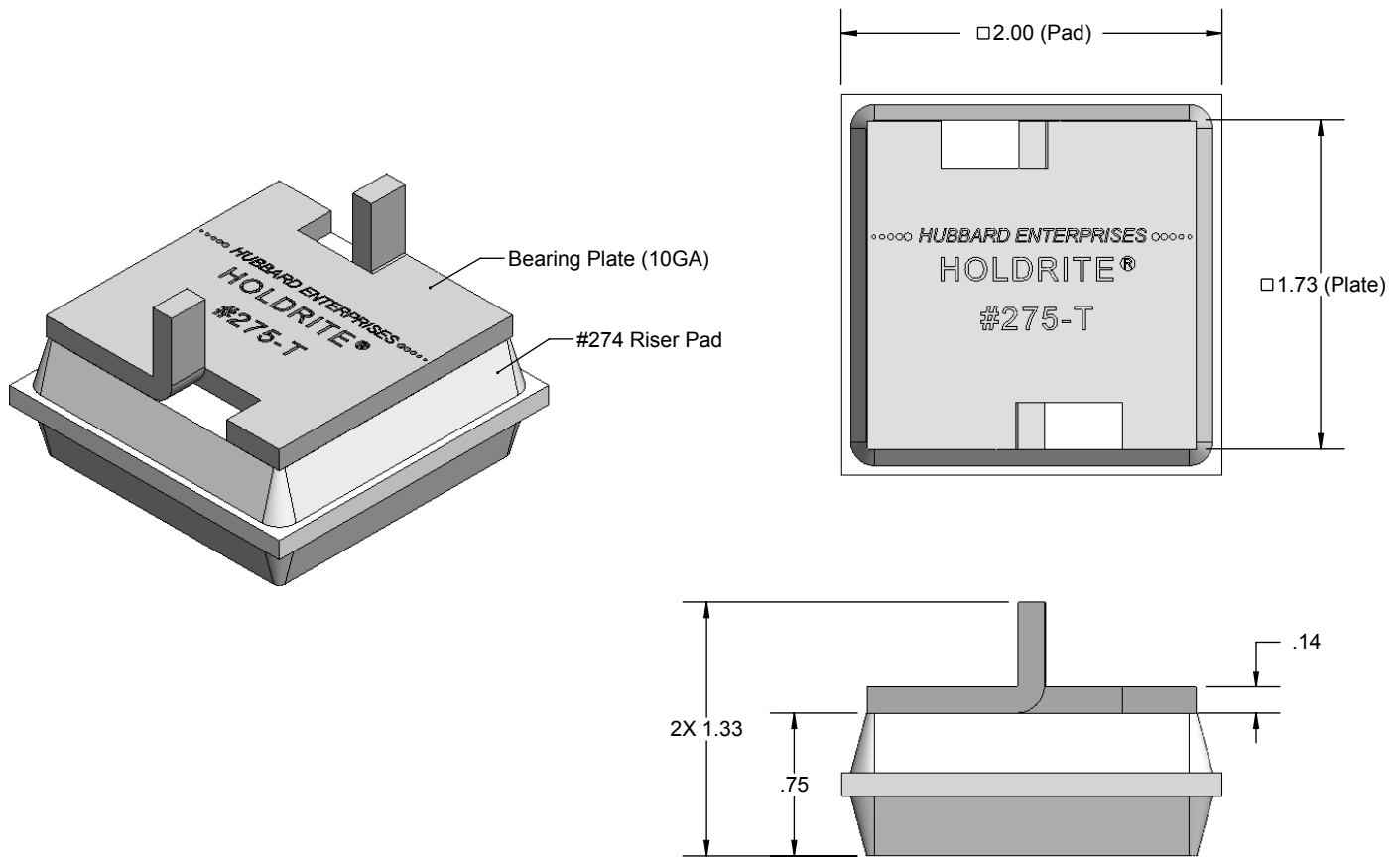


PRODUCT SPECIFICATION DRAWING

HOLDRITE® Silencer™ #275-T



The HOLDRITE Silencer™ #275-T is an engineered sound and vibration riser pad with a steel bearing plate. Ideal for use in isolating riser clamps from noise and vibration transfer to the structure. Unique vertical tabs protect from incidental displacement.

Product Information:

- Material:
 Bearing Plate: 10 gage, Galvanized CRS
 Riser Pad: Neoprene, 50 shore A, off-white
- Patent Pending

Product Submittal	
Job Name:	
Date:	
Part Number:	Qty:
Architect / Owner:	
Contractor:	
Notes:	

THIS INFORMATION IS PROPRIETARY TO HUBBARD ENTERPRISES AND IS SUBJECT TO CHANGE WITHOUT NOTICE. ANY REPRODUCTION IN PART OR WHOLE WITHOUT THE WRITTEN PERMISSION OF HUBBARD ENTERPRISES IS PROHIBITED.

.....HUBBARD ENTERPRISES.....

HOLDRITE®

"Converting Makeshift Methods into Engineered Solutions"