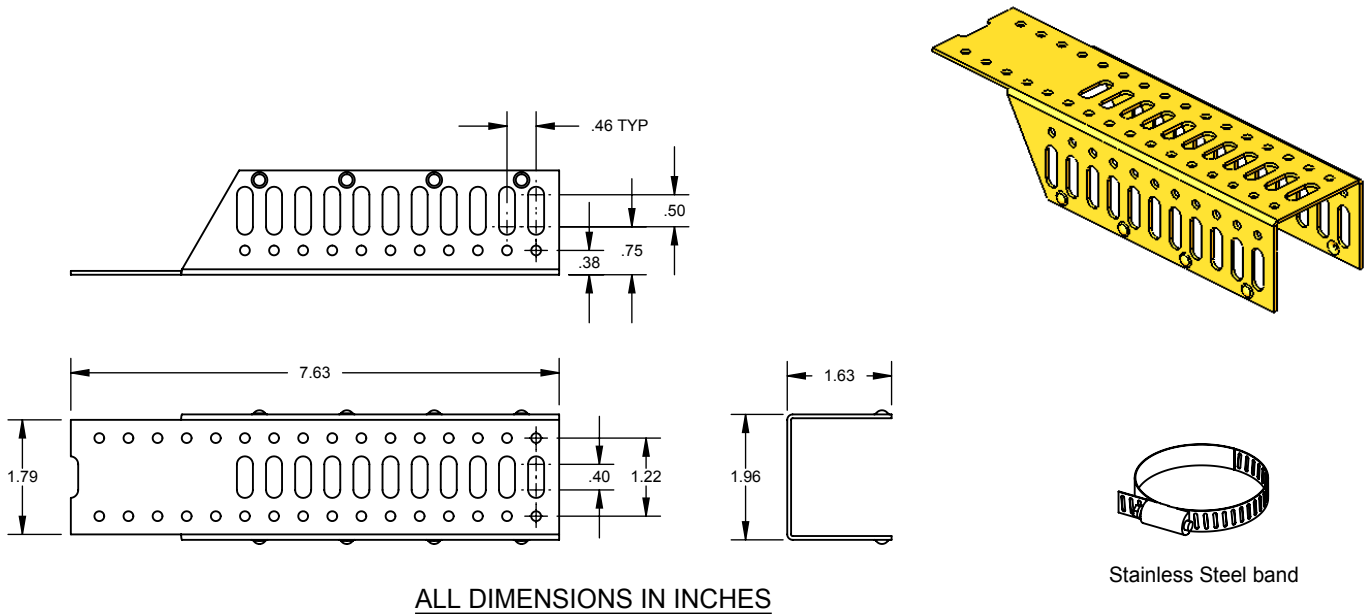


PRODUCT SPECIFICATION DRAWING

HOLDRITE® #115 & #115-C

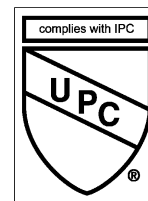
Supports water line off of vent or waste pipes



The **HOLDRITE® #115** and **#115-C (Copper-Bonded™)** are steel brackets designed to position water supply lines off the vent or waste pipe in chase walls. Supports 1/2" through 2" pipes both vertically and horizontally. Packaged with self-locking stainless steel band, screws, metal clamps, and self-adhesive isolating felt. Excellent for pre-fab applications. Supports piping prior to wall framing. Heat the pipe, not the bracket when soldering the #115-C version.

Product Information:

- Material:
 - #115: 16 gage CRS, galvanized
 - #115-C: 16 gage CRS, Copper-Bonded™
- Load rating: 25 pounds
- UPC / IPC / IAPMO listed



Product Submittal	
Job Name:	
Date:	
Part Number:	Qty:
Architect / Owner:	
Contractor:	
Notes:	

THIS INFORMATION IS PROPRIETARY TO HUBBARD ENTERPRISES AND IS SUBJECT TO CHANGE WITHOUT NOTICE. ANY REPRODUCTION IN PART OR WHOLE WITHOUT THE WRITTEN PERMISSION OF HUBBARD ENTERPRISES IS PROHIBITED.

.....HUBBARD ENTERPRISES.....

HOLDRITE®

"Converting Makeshift Methods into Engineered Solutions"