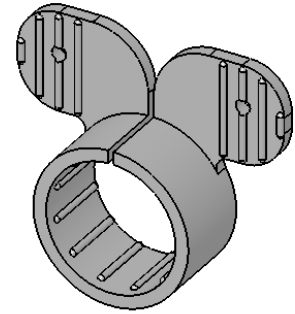
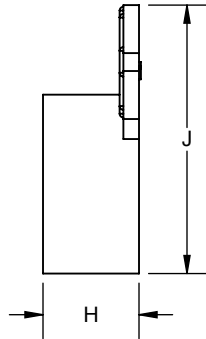
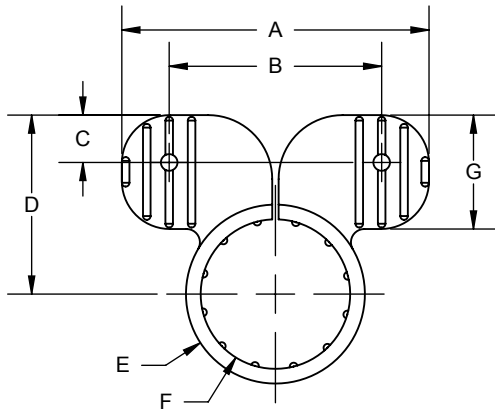


PRODUCT SPECIFICATION DRAWING HOLDRITE® SUSPENSION CLAMP SERIES



MODEL	SIZE	A	B	C	D	E	F	G	H	J
#221	1/2"	1.93	1.45	0.25	1.00	Ø.87	Ø0.68	0.63	0.75	1.48
#222	3/4"	1.93	1.45	0.25	1.13	Ø1.12	Ø.95	0.64	0.75	1.70
#223	1"	2.40	1.63	0.37	1.45	Ø1.40	Ø1.17	0.89	0.75	2.10
#224	1 1/4"	2.90	2.30	0.37	1.60	Ø1.65	Ø1.41	0.89	0.85	2.35
#225	1 1/2"	2.90	2.30	0.37	1.85	Ø1.92	Ø1.67	0.89	1.00	2.75
#226	2"	3.40	2.30	0.37	2.10	Ø2.42	Ø2.15	0.89	1.00	3.20

All dimensions in inches. Dimensions (approximate)

The HOLDRITE #220 Series Suspension Clamps are designed to support 1/2" through 2" tubing. Helps to eliminate noise transfer and isolates against dissimilar metal contact. Compatible with Copper, PEX, CPVC and other tubing.

Product Information:

- Material: Polypropylene, Light Gray.
- Suspension clamp mounts to HOLDRITE Stout Brackets®, #170 Series Brackets, or flush mounted to walls/joists to support Copper, PEX and CPVC tubing

THIS INFORMATION IS PROPRIETARY TO HUBBARD ENTERPRISES AND IS SUBJECT TO CHANGE WITHOUT NOTICE. ANY REPRODUCTION IN PART OR WHOLE WITHOUT THE WRITTEN PERMISSION OF HUBBARD ENTERPRISES IS PROHIBITED.

.....HUBBARD ENTERPRISES.....
HOLDRITE®
 "Converting Makeshift Methods into Engineered Solutions"

Product Submittal	
Job Name:	
Date:	
Part Number:	Qty:
Architect / Owner:	
Contractor:	
Notes:	