

ULTRA THIN FLUORESCENT

*This high output and low profile light will work for almost any application necessary; under cabinets where there is limited space, work areas, menu boards, and any tight space that needs bright light. The **Ultra Thin Fluorescent** is packaged with a plug-in power cord, in line connector, 24" linkable connector and lamp rated for 8,000 hours of maintenance free use. This fixture is available in two lengths, 15-1/2" (8 watts) and 21-1/4" (16 watts).*



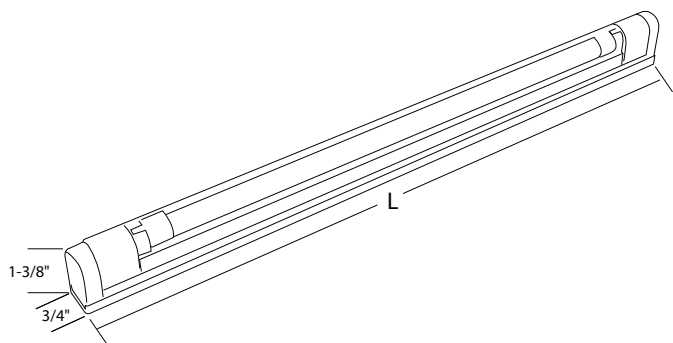
FEATURES

- High light output with low energy consumption
- Bright, energy efficient lighting from a smaller fixture
- Tri-phosphor coating provides 3100°K warm white light
- Electronic ballast provides instant "On" and eliminates flicker and hum
- Clear acrylic lens adds safety and protects lamps
- Touch switch with LED indicator provides convenient On/Off control
- Easy installation – link up to ten units in a single run
- Interconnect multiple fixtures with 2" inline connector or 24" jumper cable (included)

BILL OF MATERIALS

- Determine length(s) of area(s) to be lighted
- Select the appropriate number of fixtures to accommodate area

! Do not interconnect more than ten fixtures to one cord and plug. Ultra Thin Fluorescent lights are designed for plug-in installations only. The ALFLT4 series is not compatible with ALSLBOX for hardwire installations.



ORDERING INFORMATION

ALFLT4	
Ultra Thin Fluorescent	15 = 15-1/2" length, 8 watts 21 = 21-1/4" length, 16 watts

Note: Each fixture includes lamps, mounting clips, 2" inline connector, 24" jumper cable and screws.

ACCESSORIES

pg 131		ALFL8B ALFL16B	T4 fluorescent replacement lamps, available in 8 or 16 watts. 3100°K. M.O.L. = 12-5/16" , 18-11/16"
pg 131		ALFL16B-64B	T4 fluorescent replacement lamps, available in 16 watts only. 6400°K. M.O.L. = 18-11/16"

TECHNICAL SPECIFICATIONS

Voltage	120V, 60Hz AC operation
Construction	Solid heavy-duty plastic housing, end caps and sockets
Dimensions	H = 1-3/8", W = 3/4", available Lengths = 15-1/2" and 21-1/4"
Switching	On/Off rocker switch or use with switched outlet
Knockouts	None, for plug-in use only
Wattages	15" size = 8 watts, 21" size = 16 watts
Power cord	Six foot power cord (included with fixture) with two-prong polarized plug, 18 AWG
Maximum run	160 watts
Linking	Link up to ten units together using 2" inline connector or 24" jumper cable (included with each fixture)
Packaging	Retail pack
Lamp specs	8,000 hour rated life, 85CRI, 3100°K, T4 bi-pin base
Dimmers	Not dimmable
Diffuser	Full length, clear acrylic diffuser; snap in design for easy lamp replacement



P