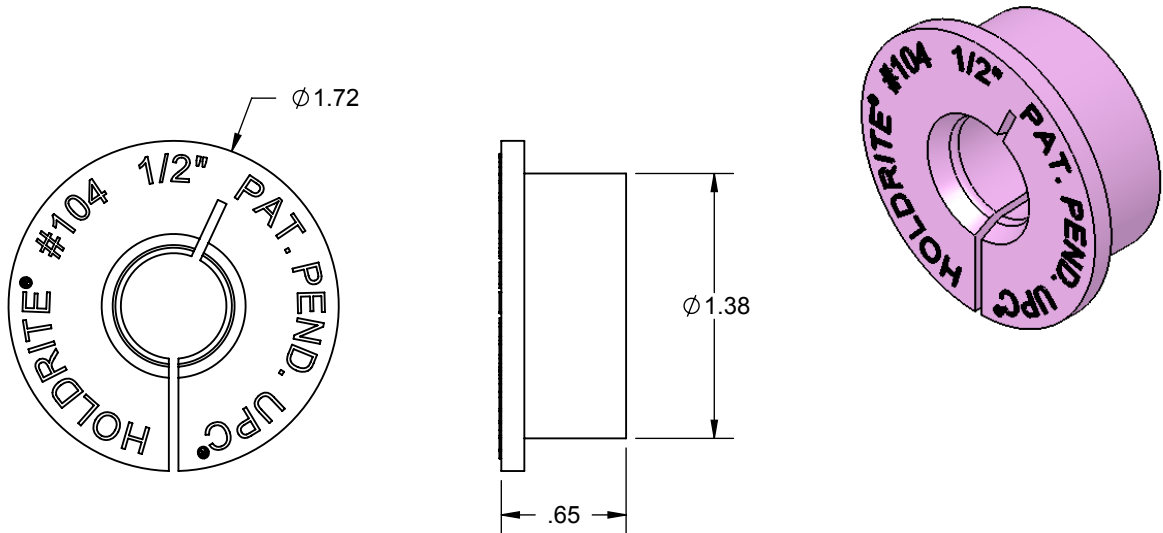


PRODUCT SPECIFICATION DRAWING HOLDRITE® #104 INSERT



ALL DIMENSIONS IN INCHES

The HOLDRITE #104 insert is designed to work with HOLDRITE #103, #121, #709 and #125 series brackets. For Copper, PEX and CPVC tube.

Product Information:

- Material: Polyethylene, purple
- Temperature range: -10°F to +150°F
- UPC / IPC / IAPMO listed



THIS INFORMATION IS PROPRIETARY TO HUBBARD ENTERPRISES AND IS SUBJECT TO CHANGE WITHOUT NOTICE. ANY REPRODUCTION IN PART OR WHOLE WITHOUT THE WRITTEN PERMISSION OF HUBBARD ENTERPRISES IS PROHIBITED.

.....HUBBARD ENTERPRISES.....
HOLDRITE®
"Converting Makeshift Methods into Engineered Solutions"

Product Submittal	
Job Name:	
Date:	
Part Number:	Qty:
Architect / Owner:	
Contractor:	
Notes:	