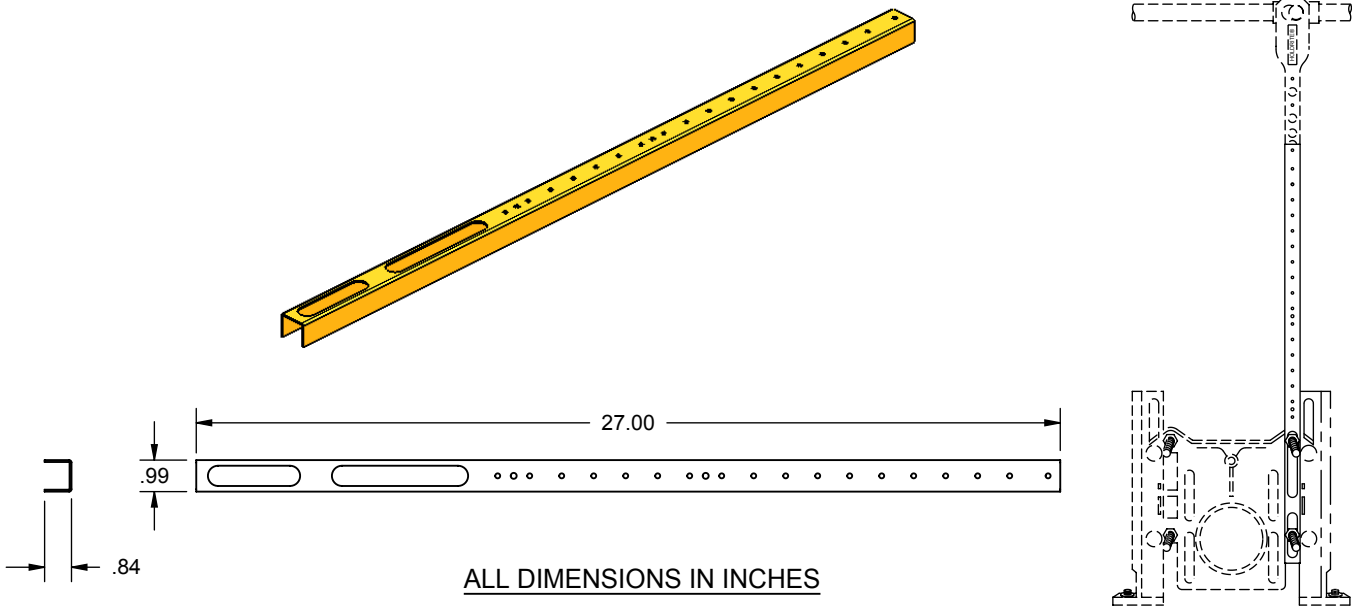


PRODUCT SPECIFICATION DRAWING

HOLDRITE® #114-C-EXT

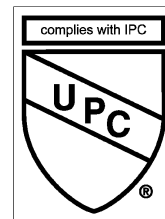
Extends flush valve height on carriers



The HOLDRITE® #114-C-EXT is a Copper-Bonded™ steel bracket used to extend the flushometer rough-in height of the model #114-C, #114-CO and #114-CR an additional 8-1/2" through 24-1/2". The bracket mounts to the water closet carrier. Includes hardware for connection to the #114-C, #114-CO and #114-CR brackets.

Product Information:

- Material: 16 gage CRS, Copper-Bonded™
- Load rating: 25 pounds
- Works with all 4 bolt siphon jet carriers
- UPC / IPC / IAPMO listed



Product Submittal	
Job Name:	
Date:	
Part Number:	Qty:
Architect / Owner:	
Contractor:	
Notes:	

THIS INFORMATION IS PROPRIETARY TO HUBBARD ENTERPRISES AND IS SUBJECT TO CHANGE WITHOUT NOTICE. ANY REPRODUCTION IN PART OR WHOLE WITHOUT THE WRITTEN PERMISSION OF HUBBARD ENTERPRISES IS PROHIBITED.

••••HUBBARD ENTERPRISES••••
HOLDRITE®
"Converting Makeshift Methods into Engineered Solutions"