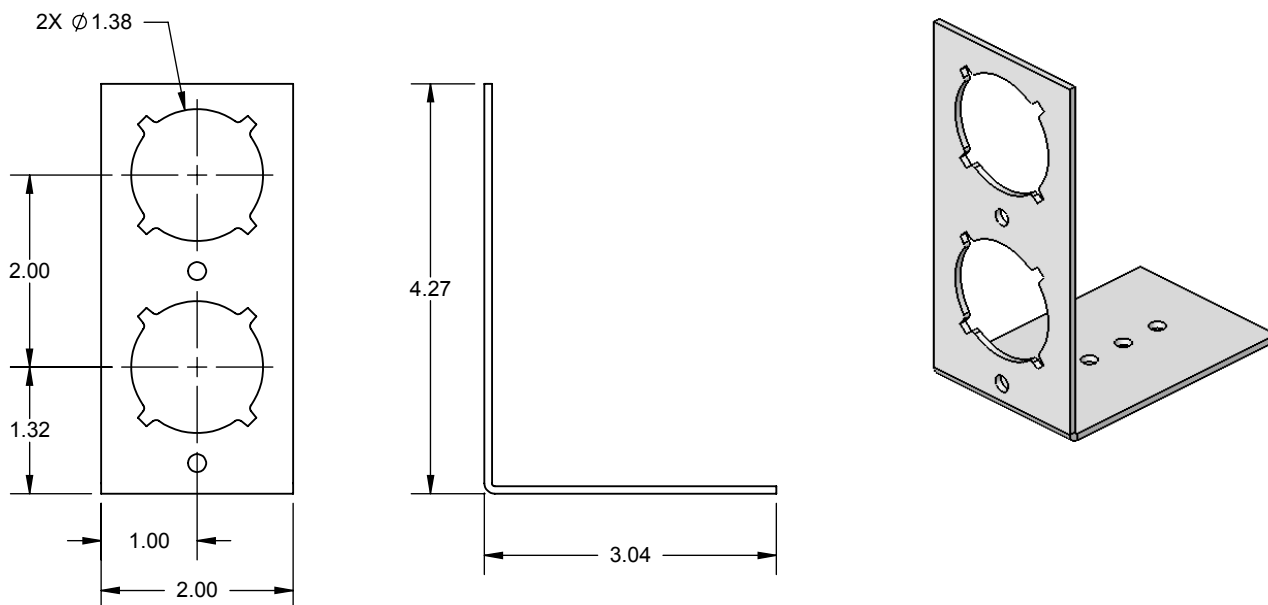


PRODUCT SPECIFICATION DRAWING

PEXRITE® #709-L

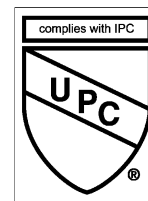


ALL DIMENSIONS IN INCHES

The PEXRITE® #709-L is a 14 gage galvanized steel bracket with 1-3/8" keyed holes providing an approximate 3" to 5" center line off of the attachment surface. Designed to work with our PEXRITE® #701 Clamp and #704 Insert. Ideal for lavatories, toilets and hose bibs. Compatible with HOLDRITE® #100 and #400 series inserts.

Product Information:

- Material: 14 gage CRS, galvanized
- Load rating: 25 pounds
- UPC / IPC / IAPMO listed



THIS INFORMATION IS PROPRIETARY TO HUBBARD ENTERPRISES AND IS SUBJECT TO CHANGE WITHOUT NOTICE. ANY REPRODUCTION IN PART OR WHOLE WITHOUT THE WRITTEN PERMISSION OF HUBBARD ENTERPRISES IS PROHIBITED.

.....HUBBARD ENTERPRISES.....
HOLDRITE®

"Converting Makeshift Methods into Engineered Solutions"

| Product Submittal | |
|--------------------|------|
| Job Name: | |
| Date: | |
| Part Number: | Qty: |
| | |
| Architect / Owner: | |
| Contractor: | |
| Notes: | |
| | |
| | |