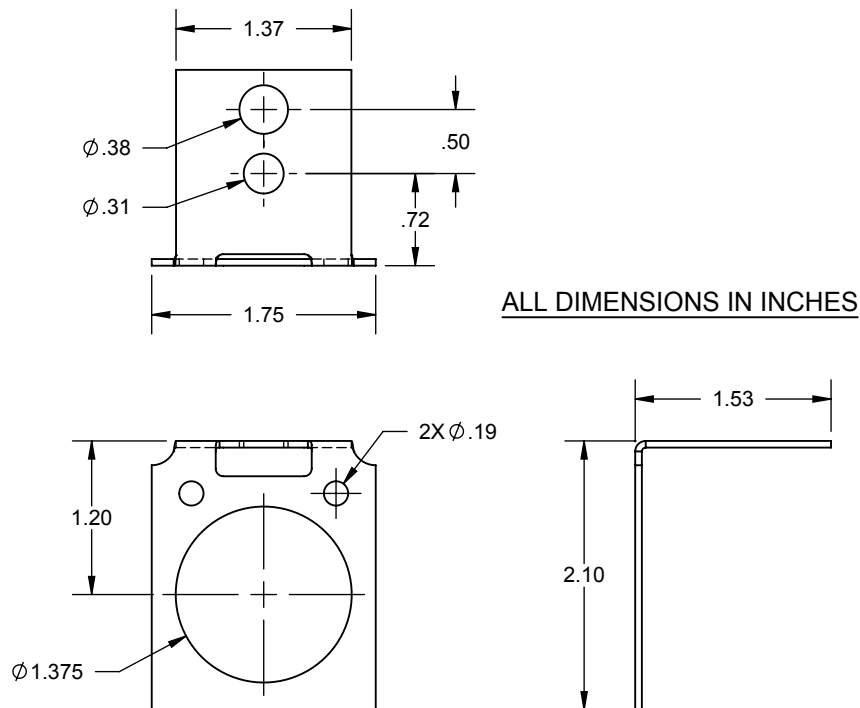
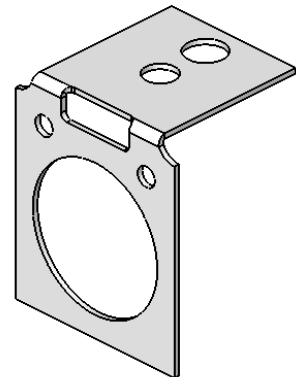


# PRODUCT SPECIFICATION DRAWING

## HOLDRITE® #121-R



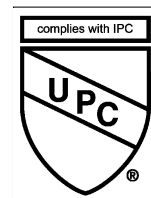
ALL DIMENSIONS IN INCHES



The **HOLDRITE® #121-R** is a 18 gage galvanized steel bracket with a 1-1/4" center line which will position 1/2", 3/4" or 1" Copper, PEX or CPVC for securing single tubing to any flat surface. The bracket can also be suspended by 1/4" or 3/8" threaded rod.

### Product Information:

- **Material: 18 gage CRS, galvanized**
- **Load rating: 25 pounds**
- **Supports 1/2", 3/4" and 1" tubing with available inserts**
- **UPC / IPC / IAPMO listed**



THIS INFORMATION IS PROPRIETARY TO HUBBARD ENTERPRISES AND IS SUBJECT TO CHANGE WITHOUT NOTICE. ANY REPRODUCTION IN PART OR WHOLE WITHOUT THE WRITTEN PERMISSION OF HUBBARD ENTERPRISES IS PROHIBITED.

.....HUBBARD ENTERPRISES.....  
**HOLDRITE®**  
 "Converting Makeshift Methods into Engineered Solutions"

Product Submittal	
Job Name:	
Date:	
Part Number:	Qty:
Architect / Owner:	
Contractor:	
Notes:	