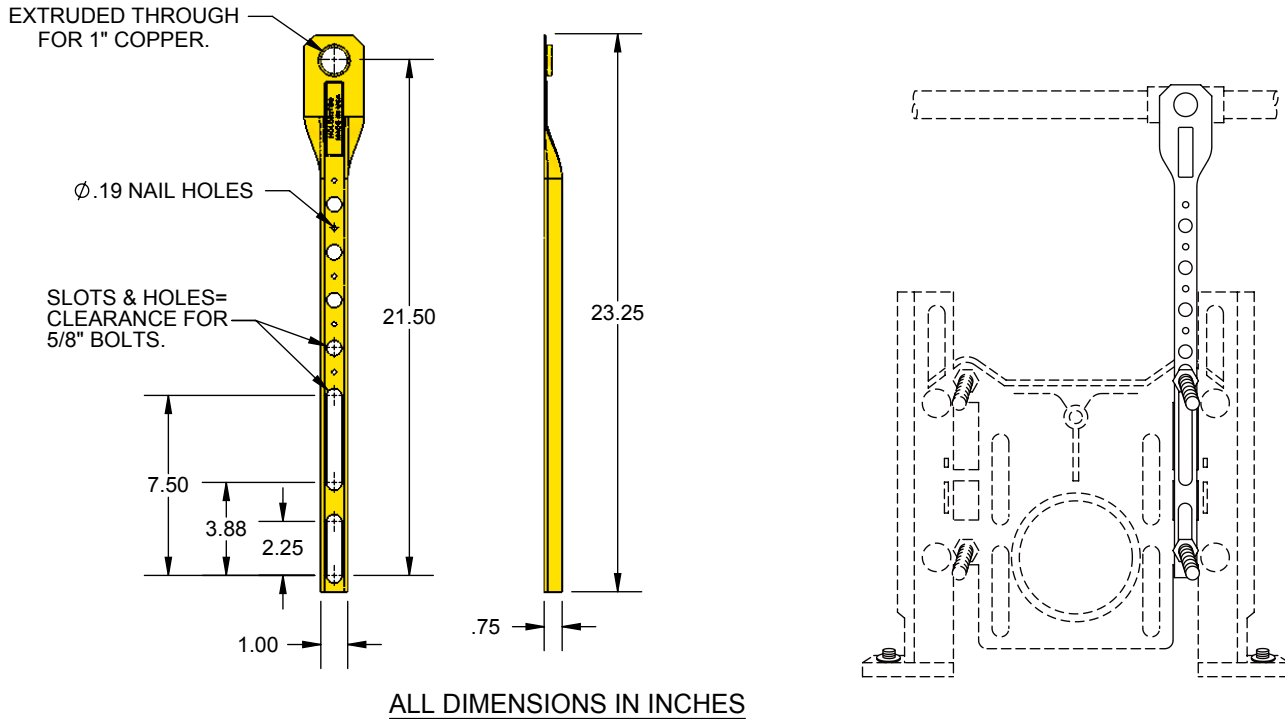


PRODUCT SPECIFICATION DRAWING

HOLDRITE® #114-C

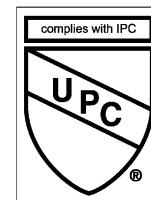
Supports flush valves on carriers



The HOLDRITE #114-C is a Copper-Bonded™ steel bracket with two slots for securely mounting upright to the carrier unit. The top end has a single 1-1/8" extruded hole for soldering 1" copper pipe, as well as supporting the water pipe for the flush valve above the floor. Adjust the flush valve 4-1/2" from the carrier center and 14" above the top fixture mounting bolt. This installation typically places the flush valve at 11-1/2" above the fixture, When soldering, heat the pipe, not the bracket.

Product Information:

- Material: 16 gage CRS, Copper-Bonded™
- Provides consistent "rough-in" dimensions
- Works with all 4 bolts siphon jet carriers
- Works with current #114-C-EXT brackets
- UPC / IPC / IAPMO listed



THIS INFORMATION IS PROPRIETARY TO HUBBARD ENTERPRISES AND IS SUBJECT TO CHANGE WITHOUT NOTICE. ANY REPRODUCTION IN PART OR WHOLE WITHOUT THE WRITTEN PERMISSION OF HUBBARD ENTERPRISES IS PROHIBITED.

.....HUBBARD ENTERPRISES.....
HOLDRITE®
 "Converting Makeshift Methods into Engineered Solutions"

| Product Submittal | |
|--------------------|------|
| Job Name: | |
| Date: | |
| Part Number: | Qty: |
| | |
| Architect / Owner: | |
| | |
| Contractor: | |
| | |
| Notes: | |
| | |
| | |