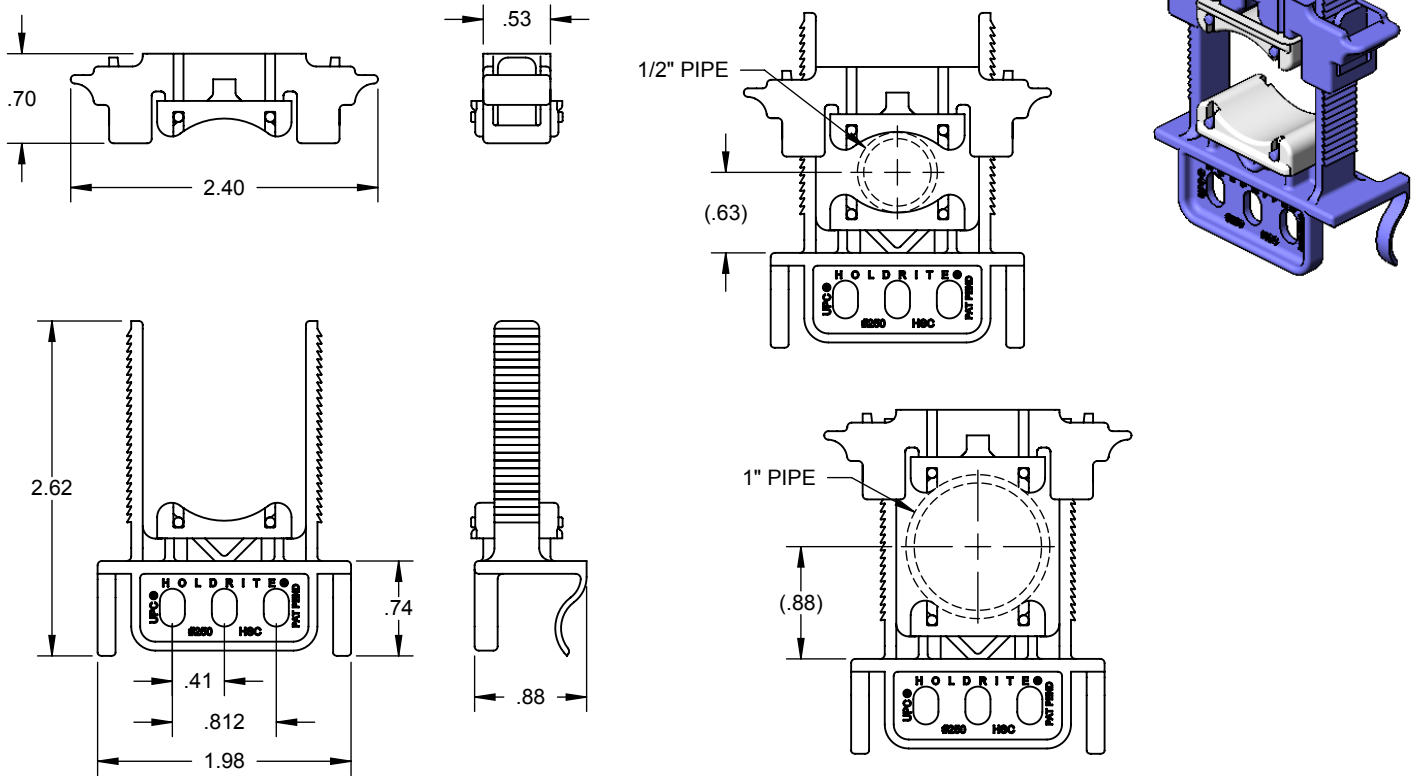


PRODUCT SPECIFICATION DRAWING

HOLDRITE® STOUT CLAMP™ #250

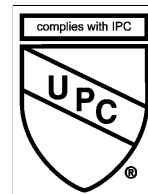


ALL DIMENSIONS IN INCHES

The **HOLDRITE® Stout Clamp™ #250** is a strong, sound rated variable closure clamp compatible with Copper, PEX, CPVC pipe, conduit, etc. Supports up to 1" CTS tubing sizes. Frame work complies with UL94V-2 fire rating and UPC listed.

Product Information:

- Material:
 Top & Bottom clamp: Nylon, medium blue, FR UL94V-2
 Pads: TPR, natural (off-white), 50 shore A
- Temperature range: -10°F to 180°F
- Load rating: 25 lbs in suspended mode, 200 lbs maximum in top mount
- UPC / IPC listed
- IAPMO listed, per standard PS42-96
- Patent Pending



THIS INFORMATION IS PROPRIETARY TO HUBBARD ENTERPRISES AND IS SUBJECT TO CHANGE WITHOUT NOTICE. ANY REPRODUCTION IN PART OR WHOLE WITHOUT THE WRITTEN PERMISSION OF HUBBARD ENTERPRISES IS PROHIBITED.

••••HUBBARD ENTERPRISES••••
HOLDRITE®
"Converting Makeshift Methods into Engineered Solutions"

Product Submittal	
Job Name:	
Date:	
Part Number:	Qty:
Architect / Owner:	
Contractor:	
Notes:	