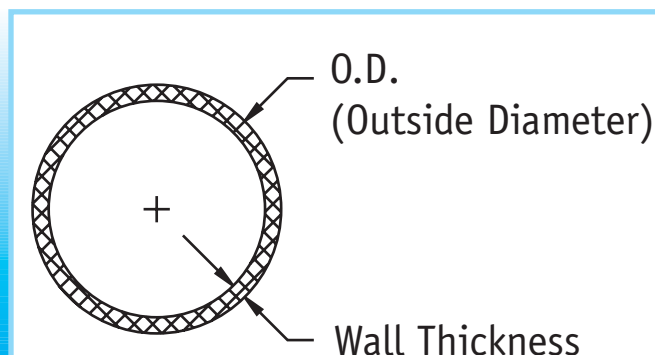


Acid Waste Piping Systems

Dimensions

Available in Polypropylene or PVDF

Pipe



Schedule 40	Average OD	Wall Thickness	Weight per Stick (lbs)		Sticks per Bundle	
			PP	PVDF	PP	PVDF
1½	1.900	0.145	4	8.8	10	10
2	2.375	0.154	6	12.5	10	5
3	3.500	0.216	10	18	5	3
4	4.500	0.237	15	28	3	1
6	6.625	0.280	24	48	1	1
8	8.625	0.322	42	N/A	1	1
10	10.750	0.365	65	N/A	1	1
12	12.750	0.406	91	N/A	1	1

Schedule 80	Average OD	Wall Thickness	Weight per Stick (lbs)		Sticks per Bundle	
			PP	PVDF	PP	PVDF
1½	1.900	0.200	6	9	10	5
2	2.375	0.218	7	12	10	5
3	3.500	0.300	13	25	5	3
4	4.500	0.337	18	34	3	1
6	6.625	0.432	29	58	1	1
8	8.625	0.500	55	N/A	1	1
10	10.750	0.593	96	N/A	1	1
12	12.750	0.687	113	N/A	1	1

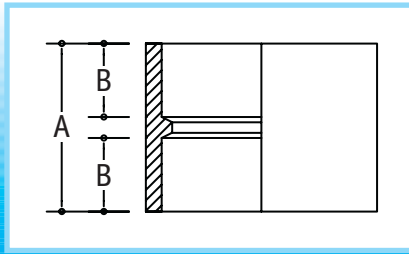
Large Diameter	Average OD	Wall Thickness	Weight per Stick (lbs)		Sticks per Bundle	
			PP	PVDF	PP	PVDF
14	13.98	.423	125	N/A	1	N/A
16	15.75	.477	159	N/A	1	N/A
18	17.75	.538	200	N/A	1	N/A

Socket Fusion

Available in Polypropylene or PVDF

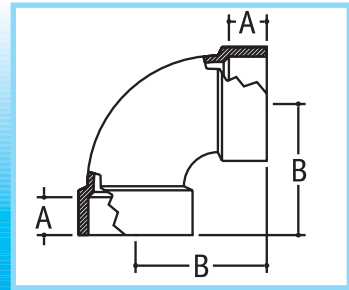
Acid Waste Fitting Dimensions

CLS Coupling



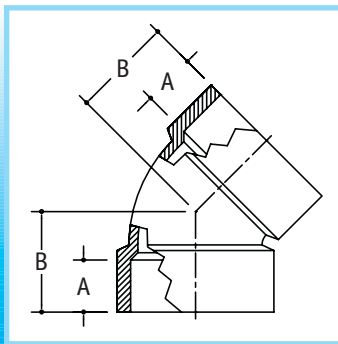
Size:	A	B	C	D	E	WEIGHT PP	WEIGHT PVDF
1½	2.08	.88				1.28	2.69
2	2.08	.90				2.18	4.58
3	2.96	1.13				5.30	11.13
4	3.36	1.50				8.78	18.44
6	4.20	2.38				16.88	35.45

90E 1/4 Bend



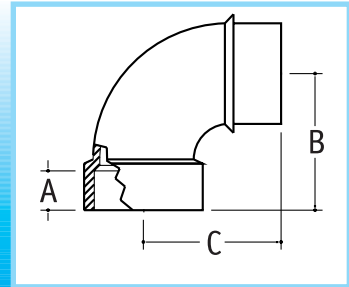
Size:	A	B	C	D	E	WEIGHT PP	WEIGHT PVDF
1½	.88	2.54				2.23	4.68
2	.90	3.41				4.30	9.03
3	1.13	4.65				3.75	7.87
4	1.50	5.60				21.43	45.00
6	2.00	7.47				66.30	139.20

45E 1/8 Bend



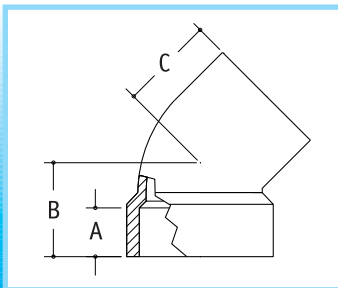
Size:	A	B	C	D	E	WEIGHT PP	WEIGHT PVDF
1½	.88	1.62				1.78	3.74
2	.90	1.75				3.18	6.68
3	1.13	2.59				9.30	19.53
4	1.50	3.03				13.93	29.25
6	2.00	3.70				35.05	73.61

SS90E Single Socket 1/4 Bend



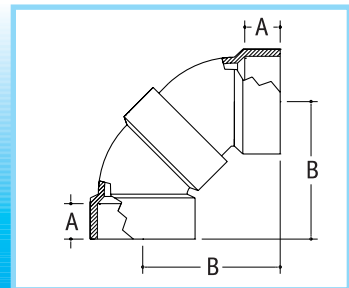
Size:	A	B	C	D	E	WEIGHT PP	WEIGHT PVDF
1½	.88	2.46	2.41			2.08	4.37
2	.90	3.41	3.41			3.96	8.32
3	1.13	4.60	4.50			12.73	26.73
4	1.50	5.60	5.60			19.53	41.01
6	2.00	7.47	7.85			67.45	141.60

SS45E Single Socket 1/8 Bend



Size:	A	B	C	D	E	WEIGHT PP	WEIGHT PVDF
1½	.88	1.62	1.48			2.23	4.68
2	.90	1.75	1.57			4.30	9.03
3	1.13	2.59	2.59			3.75	7.87
4	1.50	3.03	3.03			21.43	45.00
6	2.00	3.70	4.00			66.30	139.20

LS90E Long Sweep 1/4 Bend



Size:	A	B	C	D	E	WEIGHT PP	WEIGHT PVDF
1½	.95	3.25				3.63	7.62
2	.95	3.40				6.38	13.40
3	1.20	5.12				15.80	33.18
4	1.45	6.05				31.03	65.16

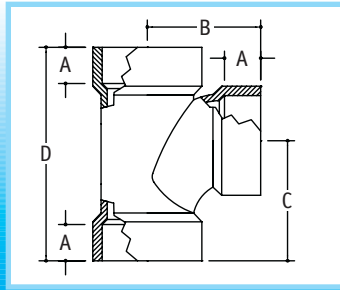
*Weights are approximate, in ounces

Acid Waste Fitting Dimensions

Socket Fusion

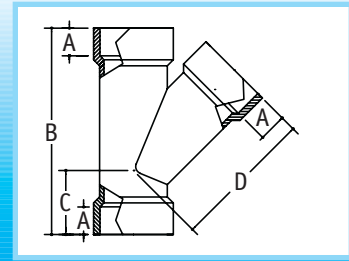
Available in Polypropylene or PVDF

90T Sanitary Tee



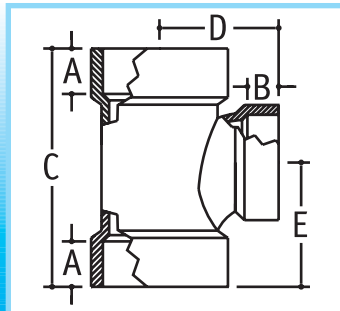
Size:	A	B	C	D	E	WEIGHT PP	WEIGHT PVDF
1½	.88	2.34	2.52	4.60		5.20	10.92
2	.90	2.89	3.10	5.48		9.13	19.17
3	1.13	4.29	4.36	7.86		14.53	30.51
4	1.50	5.24	5.44	9.75		24.23	50.88

45Y Single Wye



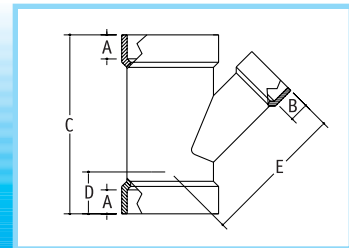
Size:	A	B	C	D	E	WEIGHT PP	WEIGHT PVDF
1½	.88	6.30	2.00	4.34		5.84	12.26
2	.90	7.23	2.28	4.96		9.71	20.39
3	1.13	8.25	2.20	6.00		28.10	59.01
4	1.50	11.20	3.30	7.80		44.50	93.45
6	1.84	14.68	3.98	13.70		104.40	219.20

R90T Reducing Sanitary Tee



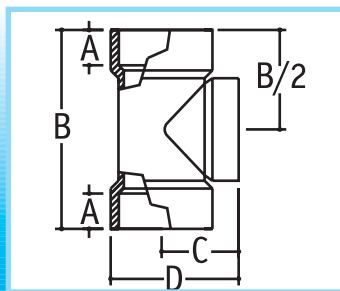
Size:	A	B	C	D	E	WEIGHT PP	WEIGHT PVDF
2x1½	.90	.70	4.88	2.40	2.55	5.00	10.50
3x1½	1.13	.80	6.68	3.13	3.50	12.13	25.47
3x2	1.13	.90	6.68	3.40	3.50	12.75	26.78
4x1½	1.50	.74	9.75	7.13	5.44	36.03	75.66
4x2	1.50	.88	9.75	7.12	5.44	36.35	76.34
4x3	1.50	1.13	9.75	6.84	5.44	36.33	76.29

R45Y Reducing Single Wye



Size:	A	B	C	D	E	WEIGHT PP	WEIGHT PVDF
2x1½	.90	.88	7.26	2.28	5.00	5.90	12.39
3x1½	1.13	.70	6.25	1.25	5.40	11.55	24.26
3x2	1.13	.90	7.26	2.16	6.18	16.55	34.76
4x1½	1.50	.88	8.20	2.00	7.71	16.10	33.81
4x2	1.50	.90	8.20	2.00	6.54	14.80	31.08
4x3	1.50	1.13	9.97	2.86	7.12	26.30	55.23
6x2	2.00	.90	14.68	4.00	12.23	62.23	130.70
6x3	2.00	1.13	14.68	4.00	11.00	57.85	121.50
6x4	2.00	1.50	14.68	4.00	11.00	58.90	123.70

COT Clean Out Tee

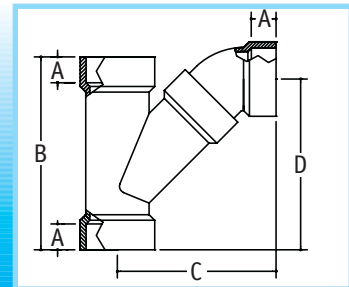


Size:	A	B	C	D	E	WEIGHT PP	WEIGHT PVDF
1½	.77	7.29	2.12	3.54		4.03	8.46
2	.90	5.47	2.12	3.54		6.70	14.07
3	1.13	7.44	2.91	4.91		19.88	41.75
4	1.47	8.80	3.46	6.06		30.98	65.06
6	2.00	14.63	9.54	13.39		86.23	181.10

Countersink clean-out plug included

*Weights are approximate, in ounces

LTY Long Turn Wye

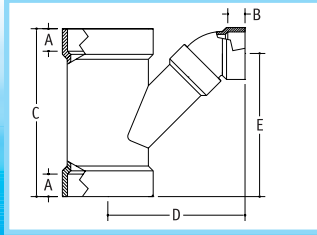


Size:	A	B	C	D	E	WEIGHT PP	WEIGHT PVDF
1½	.88	6.30	5.11	5.49		4.68	9.83
2	.90	7.23	5.73	6.26		8.35	17.54
3	1.13	8.25	7.87	7.48		25.05	52.61
4	1.50	11.20	9.63	9.90		39.03	81.96
6	1.84	14.68	14.91	15.19		120.26	252.50

Socket Fusion

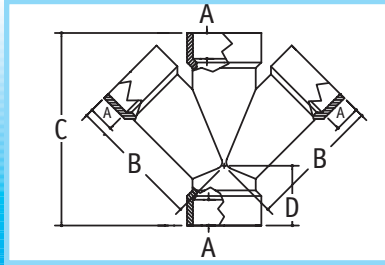
Available in Polypropylene or PVDF

RLTY Reducing Long Turn Wye



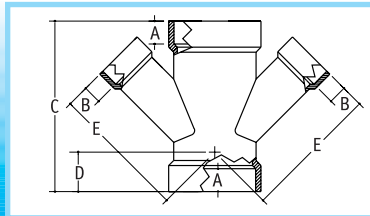
Size:	A	B	C	D	E	WEIGHT PP	WEIGHT PVDF
2x1½	.90	.88	7.26	7.22	7.88	7.65	16.07
3x1½	1.13	.88	6.25	5.99	5.62	14.91	31.31
3x2	1.13	.90	7.26	6.59	7.00	19.56	41.08
4x1½	1.50	.88	8.20	7.50	7.88	21.67	45.51
4x2	1.50	.90	8.20	6.85	7.10	21.35	44.84
4x3	1.50	1.13	9.97	8.66	8.93	33.90	71.19
6x2	2.00	.90	14.68	10.87	13.12	94.63	198.70
6x3	2.00	1.13	14.68	11.40	12.81	67.70	142.20
6x4	2.00	1.50	14.68	11.89	12.86	71.23	149.60

D45Y Double Wye



Size:	A	B	C	D	E	WEIGHT PP	WEIGHT PVDF
1½	.65	3.18	4.33	1.13		4.68	9.83
2	.90	4.16	5.80	1.63		8.35	17.54
3	1.13	6.00	8.25	2.20		25.05	52.61
4	1.50	7.80	11.20	3.30		39.03	81.96
6	1.84	13.70	14.68	3.98		120.26	252.50

RD45Y Reducing Single Wye

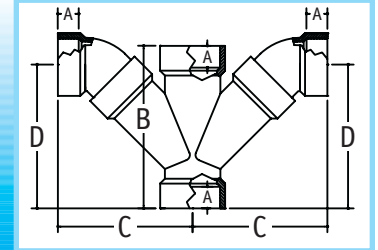


Size:	A	B	C	D	E	WEIGHT PP	WEIGHT PVDF
2x1½	.88	.76	8.69	2.47	5.40	10.95	23.00
3x1½	1.13	.76	6.25	1.25	5.40	13.10	27.51
3x2	1.13	.90	8.20	2.00	6.20	19.18	40.28
4x1½	1.50	.88	8.20	2.00	7.59	23.30	48.93
4x2	1.50	.90	8.20	2.00	6.54	21.83	45.84
4x3	1.50	1.13	9.85	2.50	7.30	32.43	68.10
6x2	2.00	.90	14.68	4.00	12.23	72.26	151.70
6x3	2.00	1.13	14.68	4.00	11.00	65.60	137.80
6x4	2.00	1.50	14.68	4.00	11.00	63.50	133.40

*Weights are approximate, in ounces

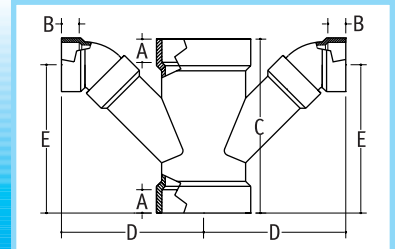
Acid Waste Fitting Dimensions

DLTY Double Long Turn Wye



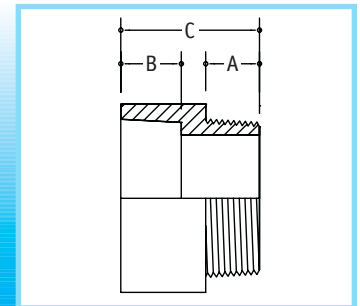
Size:	A	B	C	D	E	WEIGHT PP	WEIGHT PVDF
1½	.88	4.33	4.46	3.97		8.05	16.91
2	.90	5.80	5.25	6.12		14.37	30.18
3	1.13	8.25	7.87	7.48		41.35	86.84
4	1.50	11.20	9.63	9.90		65.79	138.20
6	1.84	14.68	14.91	15.19		156.60	328.90

RDLTY Reducing Double Long Turn Wye



Size:	A	B	C	D	E	WEIGHT PP	WEIGHT PVDF
2x1½	.90	.88	7.26	7.22	7.88	14.57	30.60
3x1½	1.13	.88	6.25	5.99	5.62	16.72	35.11
3x2	1.13	.90	7.26	6.59	7.00	25.20	52.92
4x1½	1.50	.88	8.20	7.50	7.88	26.40	55.44
4x2	1.50	.90	8.20	6.85	7.10	49.70	104.40
4x3	1.50	1.13	9.97	8.66	8.93	28.05	58.91
6x2	2.00	.90	14.68	10.87	13.12	137.06	287.80
6x3	2.00	1.13	14.68	11.40	12.81	83.20	174.70
6x4	2.00	1.50	14.68	11.89	12.86	90.26	189.50

MA Male Adapter



Size:	A	B	C	D	E	WEIGHT PP	WEIGHT PVDF
1½	.80	.88	2.08			1.08	2.27
2	.80	.90	2.08			1.88	3.95
3	1.50	1.13	3.02			4.30	9.03
4	1.60	1.50	3.33			6.75	14.18
6	2.00	2.00	4.22			18.00	37.80

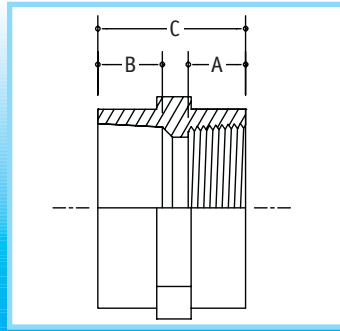
Acid Waste Fitting Dimensions

Socket Fusion

Available in Polypropylene or PVDF

FA

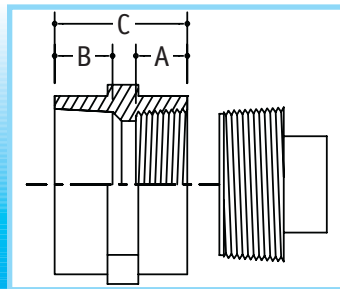
Female Adapter



Size:	A	B	C	D	E	WEIGHT PP	WEIGHT PVDF
1½	.80	.88	2.08			1.30	2.73
2	.80	.90	2.08			2.25	4.73
3	1.40	1.13	2.96			5.53	11.61
4	1.50	1.50	3.36			9.05	19.01
6	1.99	2.00	4.22			8.35	17.54

COA

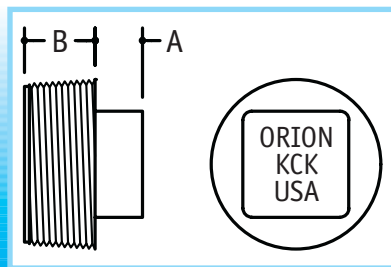
Clean Out Adapter



Size:	A	B	C	D	E	WEIGHT PP	WEIGHT PVDF
1½	.80	.88	2.08			1.75	3.68
2	.80	.90	2.08			3.28	6.89
3	1.40	1.13	2.96			7.35	15.44
4	1.50	1.50	3.36			13.10	27.51
6	1.99	2.00	4.22			26.28	55.19

CPC

Clean Out Plug

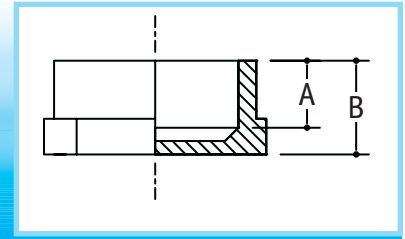


Size:	A	B	C	D	E	WEIGHT PP	WEIGHT PVDF
1½	.37	.99				.50	1.20
2	.67	.99				1.02	2.14
3	.67	1.11				1.83	3.84
4	.67	1.11				4.10	8.61
6	.98	1.35				7.93	16.65

*Weights are approximate, in ounces

CAP

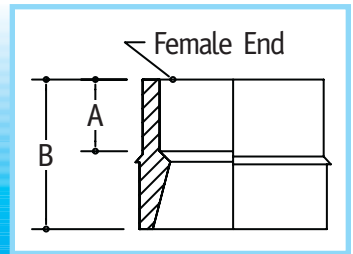
Cap



Size:	A	B	C	D	E	WEIGHT PP	WEIGHT PVDF
1½	.88	1.30				1.08	2.27
2	.90	1.30				1.48	3.11
3	1.13	1.52				2.70	5.67
4	1.23	1.55				6.45	13.55
6	2.38	2.82				20.63	43.32

RB

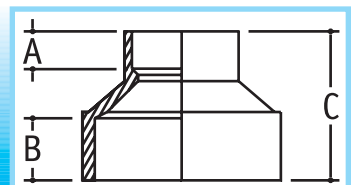
Reducing Bushing



Size:	A	B	C	D	E	WEIGHT PP	WEIGHT PVDF
2x1½	.88	1.90				1.30	2.73
3x1½	.75	2.72				3.13	6.57
3x2	.88	2.57				3.33	6.99
4x1½	.75	3.32				5.00	10.50
4x2	.90	3.27				5.18	10.88
6x2	.88	4.97				17.68	37.13
6x3	1.13	3.76				14.23	29.88
6x4	1.40	3.76				14.35	30.14

RCLS

Reducing Coupling



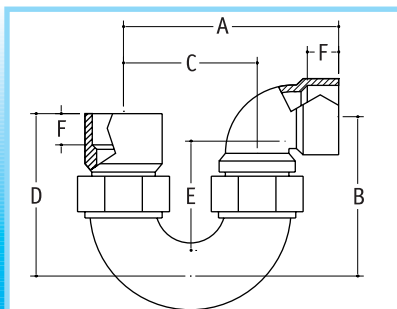
Size:	A	B	C	D	E	WEIGHT PP	WEIGHT PVDF
2x1½	.88	.90	2.08				
3x1½	.76	1.13	3.00				
3x2	.90	1.13	3.20				
4x1½	.88	1.50	4.82				
4x2	.90	1.50	3.60				
4x3	1.13	1.50	3.44				
6x2	.88	2.00	4.82				
6x3	1.13	2.00	3.60				
6x4	1.40	2.00	3.60				

Socket Fusion

Available in Polypropylene or PVDF

UTP

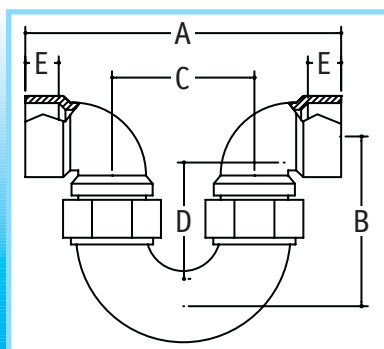
Full Drop Union
P-trap



Size:	A	B	C	D	E	F	WEIGHT PP	WEIGHT PVDF
1½	6.45	4.77	4.00	4.85	3.27	.88	6.80	13.40
2	7.74	5.67	5.00	5.55	3.57	.90	11.60	25.30

UTR

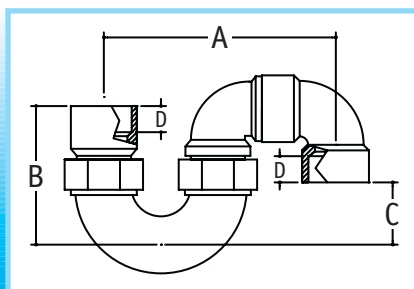
Running Trap



Size:	A	B	C	D	E	WEIGHT PP	WEIGHT PVDF
1½	8.90	4.77	4.00	3.27	.88	11.89	24.97
2	10.48	5.67	5.00	3.57	.90	19.20	40.32

UTPS

S Trap

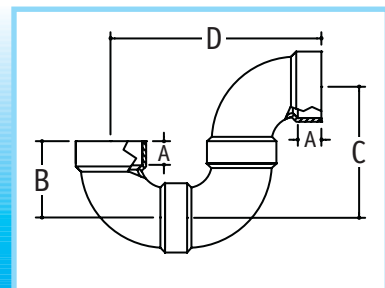


Size:	A	B	C	D	E	WEIGHT PP	WEIGHT PVDF
1½	8.22	4.85	2.99	.88		12.78	26.84
2	10.11	5.55	3.19	.90		21.15	44.42

Acid Waste Fitting Dimensions

RBP

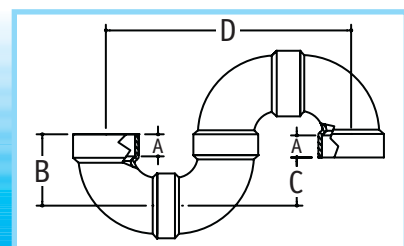
P Trap



Size:	A	B	C	D	E	WEIGHT PP	WEIGHT PVDF
1½	.88	2.54	4.38	6.92		6.91	14.51
2	.90	3.41	5.92	9.33		11.70	24.57
3	1.13	4.60	7.76	12.36		38.63	81.12
4	1.50	5.60	9.64	15.24		60.25	126.50
6	2.00	7.47	13.32	20.79		197.05	413.80

RBPS

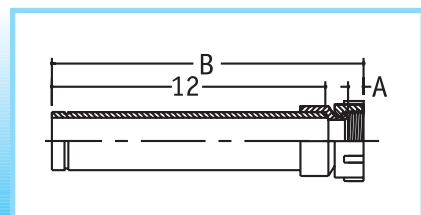
S Trap



Size:	A	B	C	D	E	WEIGHT PP	WEIGHT PVDF
1½	.88	2.54	1.92	8.51		8.99	18.88
2	.90	3.41	2.51	11.84		16.29	34.21
3	1.13	4.60	3.16	15.47		55.02	115.50
4	1.50	5.60	4.04	19.28		80.97	170.00

RLNS

Sink Tail Piece Adapter



Size:	A	B	C	D	E	WEIGHT PP	WEIGHT PVDF
1½	.51	.80	2.02			1.63	3.42
2	.71	.90	2.77			2.95	6.20

*Weights are approximate, in ounces