

GLOBO DIAM.300/400 MM IN POLIMETILMETACRILATO (PMMA), COMPLETO DI BASE REALIZZATA IN RESINA ANTIURTO, STABILIZZATA AI RAGGI UV, INATTACCABILE DA RUGGINE E CORROSIONE.

IDONEO PER IL MONTAGGIO A PALO, A SOSPENSIONE O A PARETE.

300/400 MM PMMA GLOBE, COMPLETE WITH GLOBE BASE MADE IN SHOCKPROOF RESIN MATERIAL, UV RAYS STABILIZED, RUST AND CORROSION-FREE. SUITABLE FOR POST TOP, HANGING AND WALL INSTALLATION.



GLOBE 300 G30.B30

310

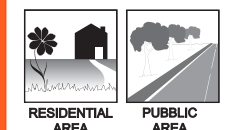


ø60

Dimensions and weight.

Height 310 mm, Ø 300 mm.
Weight: 0,8 Kg (excluding electrical components)
Area exposed to wind pressure CxS = 0,085 m²
Junction to the support: diameter 60 mm
Insulation class: II
IP 55

INSTALLATION



RESIDENTIAL AREA

PUBLIC AREA



ø60



Dimensions and weight.

Height 410 mm, Ø 400 mm.
Weight: 2,1 Kg (excluding electrical components)
Area exposed to wind pressure CxS = 0,122 m²
Junction to the support: diameter 60 mm
Insulation class: II
IP 65 (electrical equipment seat)

410

GLOBE 400 G40.B40

VERSIONS AVAILABLE

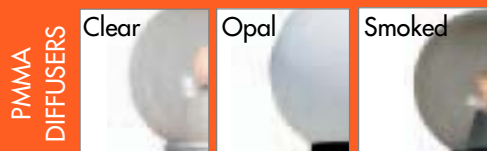
	 E27 MAX 75 W	 E27 MAX 190 mm	REF.CODE
GLSMAX	60W	E27	G30.B30.000
SL	25W	E27	
DU LUX EL	23W	E27	
PLC	23W	E27	

		REF.CODE
WITHOUT BALLAST	GLS MAX 100W E27	G40.B40.000
	SL 25W E27	
	CFL 23W E27	
WITH BALLAST	MBF 50W E27	G40.B40.M50
	80W E27	G40.B40.M80
	SON 50W E27	G40.B40.S50
	70W E27	G40.B40.S70
	HQI 70W E27	G40.B40.H70

white alluminium breaklight	H.FB1	H.FB6
chrome alluminium breaklight	H.FC1 (UPWARD)	H.FC6 (DOWNWARD)

The photometric data for all the versions are available upon request

COLOURS



SON SODIUM VAPOR
HQI METAL HALIDE

MBF MERCURY VAPOR



1.

Globo diam. 400mm in polimetilmetacrilato (PMMA) resistente all'ingiallimento ed ai raggi UV, realizzato in unico pezzo, disponibile in 3 varianti di colore: trasparente, bianco o fumè
400 mm globe in polymethylmethacrylate (PMMA), one piece only, UV stabilized, available in 3 different colour options: clear, opal or smoked



2.

Possibilità di applicare alla base un **frangiluce** in alluminio pressofuso con sistema ottico lamellare a ripartizione simmetrica per orientare il fascio di luce e ridurre l'abbagliamento (opzionale). Disponibile in versione bianca o cromo.
 An aluminium die cast **breaklight** with a laminar symmetrical optic system can be fixed on the diffuser base, to direct the lighting output and to get a lower dazzle (optional). Available in white or chrome version.



3.

Base dell'apparecchio, realizzata in resina antiurto, stabilizzata ai raggi UV, inattaccabile da ruggine e corrosione. Composta da un supporto e da un coperchio nella cui parte inferiore possono essere fissati gli accessori elettrici e nella cui parte superiore si trova l'alloggiamento per il portalamпада. Una guarnizione in gomma garantisce la protezione dell'alloggiamento degli accessori elettrici dagli agenti esterni.

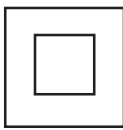


*Luminaries **base**, made in shockproof resin material, UV rays stabilized, rust and corrosion-free, consisting of a support and of a cover suitable for electrical accessories fixation on its lower side and provided with lampholder seat on its upper side. A rubber gasket warranties the protection of the electrical accessories seat from external agents.*



4.

CLASS II



DOUBLE INSULATION

PROTECTION



electrical equipment seat

RESIN MATERIAL



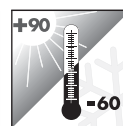
COLOURS IN PASTE



ANTI-SHOCK

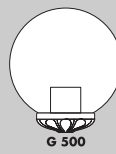
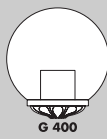


RECYCLABLE



TEMPERATURE

GLOBE 300



G30.201.R20



G30.201.R30



G30.201

POST TYPE

NEBO 2500



TABOR 3000



HOREB 3500



G30.132



G30.111



G30.120

MIRRA/G300
G30.142

Pcs 1
Kg 4,6
mc 0,143

OFIR/G300
G30.132

Pcs 2
Kg 2,5
mc 0,59

GLOBE 300
G30.B30

Pcs 2
Kg 1,6
mc 0,059

E27 MAX 75 W E27 MAX 190 mm

Colours:
Moulded **Black - White -Green**
Painted **Antique Green**
Antique Bronze

Diffuser: **Transparent - Opal**
Smoked

MINILOT/G300
G30.111

Pcs 2
Kg 2,5
mc 0,59

NEBO OFIR/G300 2L
G30.201.R20

Pcs 1
Kg 22,9
mc 0,208

Ø 275

NEBO OFIR/G300 3L
G30.201.R30

Pcs 1
Kg 24,4
mc 0,237

Ø 275

NEBO/G300
G30.201

Pcs 1
Kg 19
mc 0,163

Ø 275

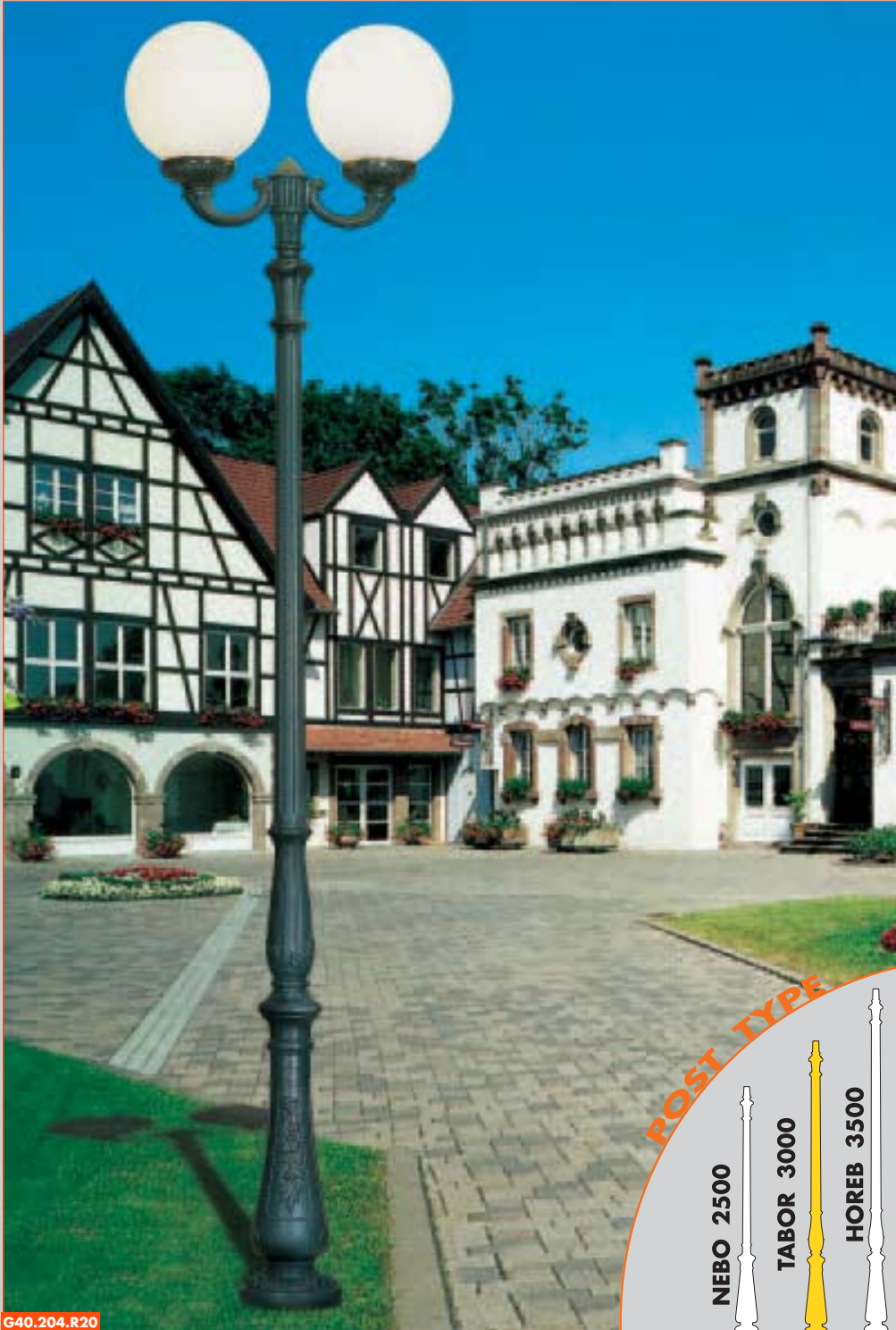
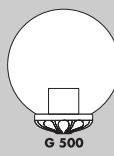
SICHEM/G300
G30.120

Pcs 2
Kg 2,5
mc 0,59

CE IP55 DOUBLE INSULATION CLASS II

ANTI-SHOCK UV TREATED RECYCLABLE

GLOBE 400



G40.204.R20

POST TYPE

NEBO 2500

TABOR 3000

HOREB 3500



G40.204



G40.121



G40.132



G40.113

ALUMINIUM BREAKLIGHT (optional)

WHITE COLOUR
CODE: H.FB1

CHROME
CODE: H.FC1

WHITE COLOUR
CODE: H.FB6

CHROME
CODE: H.FC6

OFIR/G400
G40.132

Pcs 2
Kg 5,6
mc 0,133

G400
G40.B40

Pcs 2
Kg 4,2
mc 0,133

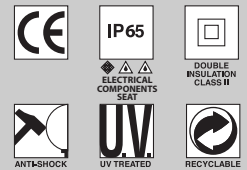
Ø 400
Ø 60

Colours:

Moulded **Black - White -Green**
Painted **Antique Green**
Antique Bronze

Diffuser: **Transparent - Opal**
Smoked

WITHOUT BALLAST	GLS MAX	100W	E27
	SL	25W	E27
	CFL	23W	E27
WITH BALLAST	MBF	50W 80W	E27 E27
	SON	50W 70W	E27 E27
	HQI	70W	E27



SICHEM/G400
G40.121

Pcs 2
Kg 5,6
mc 0,133

LOT/G400
G40.113

Pcs 2
Kg 5,6
mc 0,152

TABOR/G400
G40.204

Ø 275

Pcs 1
Kg 25,6
mc 0,230

TABOR OFIR /G400 2L
G40.204.R20

Ø 275

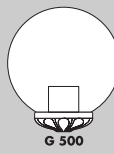
Pcs 1
Kg 29,4
mc 0,347

TABOR OFIR /G400 3L
G40.204.R30

Ø 275

Pcs 1
Kg 32,2
mc 0,429

GLOBE 400



POST TYPE

NEBO 2500

TABOR 3000

HOREB 3500

HOREB ADAM/G400 1L
G40.207.M10

Pcs 1
Kg 29
mc 0,310

ADAM/G400
G40.171

Pcs 1
Kg 4,9
mc 0,192

EVA/G400
G40.181

Pcs 1
Kg 10,2
mc 0,353

HOREB/G400
G40.207

Pcs 1
Kg 27,1
mc 0,256

HOREB ADAM/G400 3+1
G40.207.M31

Pcs 1
Kg 40
mc 0,545

HOREB ADAM/G400 2L
G40.207.M20

Pcs 1
Kg 32,3
mc 0,378

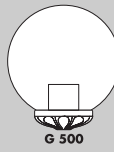
HOREB ADAM/G400 2+1
G40.207.M21

Pcs 1
Kg 36,1
mc 0,447

HOREB ADAM/G400 3L
G40.207.M30

Pcs 1
Kg 37,2
mc 0,477


GLOBE 400



POST TYPE

- KARMEL 3000**
- KARMEL 3500**
- KARMEL 4000**

KARMEL 3000/G400
G40.231



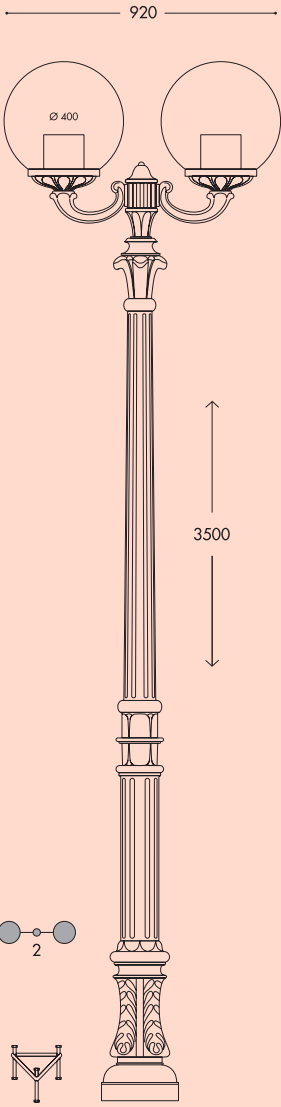
Ø 400

3400

Ø 275

Pcs	1
Kg	25,6
mc	0,230

KARMEL 3000 OFIR/G400 2L
G40.231.R20



920

Ø 400

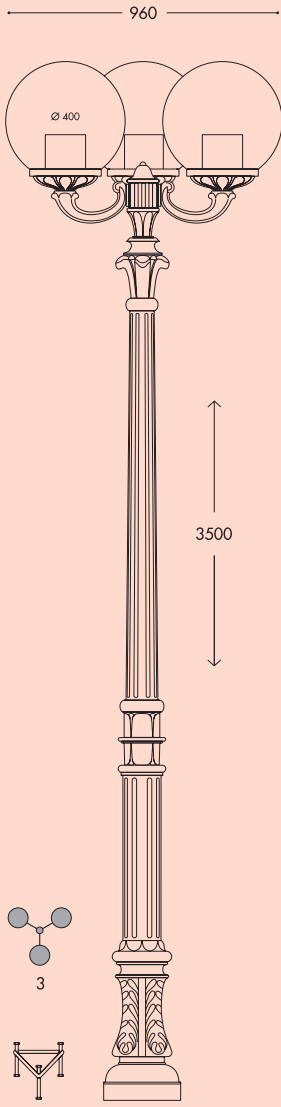
3500

Ø 275

2

Pcs	1
Kg	29,4
mc	0,347

KARMEL 3000 OFIR/G400 3L
G40.231.R30



960

Ø 400

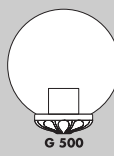
3500

Ø 275

3

Pcs	1
Kg	32,2
mc	0,429

GLOBE 400



G40.234.M20

POST TYPE

KARMEL 3000

KARMEL 3500

KARMEL 4000



G40.171



G40.234

KARMEL 3500 ADAM/G400 1L
G40.234.M10

KARMEL 4000 ADAM/G400 1L
G40.237.M10

G40.234.M10	G40.237.M10
Pcs 1	Pcs 1
Kg 29	Kg 32,5
mc 0,310	mc 0,407

KARMEL 3500 ADAM/G400 2L
G40.234.M20

KARMEL 4000 ADAM/G400 2L
G40.237.M20

G40.234.M20	G40.237.M20
Pcs 1	Pcs 1
Kg 32,3	Kg 35,8
mc 0,378	mc 0,400

KARMEL 3500 ADAM/G400 3L
G40.234.M30

KARMEL 4000 ADAM/G400 3L
G40.237.M30

G40.234.M30	G40.237.M30
Pcs 1	Pcs 1
Kg 37,2	Kg 40,7
mc 0,477	mc 0,482

KARMEL 3500/G400
G40.234

KARMEL 4000/G400
G40.237

G40.234	G40.237
Pcs 1	Pcs 1
Kg 27,1	Kg 30,6
mc 0,256	mc 0,283

Ø 275

KARMEL 3500 ADAM/G400 2+1
G40.234.M21

KARMEL 4000 ADAM/G400 2+1
G40.237.M21

G40.234.M21	G40.237.M21
Pcs 1	Pcs 1
Kg 36,1	Kg 39,6
mc 0,420	mc 0,545

2+1

Ø 275

KARMEL 3500 ADAM /G400 3+1
G40.234.M31

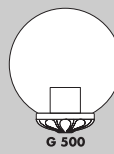
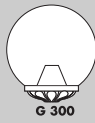
KARMEL 4000 ADAM /G400 3+1
G40.237.M31

G40.234.M31	G40.237.M31
Pcs 1	Pcs 1
Kg 40	Kg 43,5
mc 0,502	mc 0,545

3+1

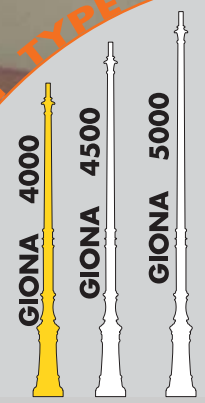
Ø 275

GLOBE 400



G40.221.M21

POST TYPE



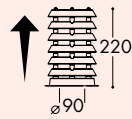
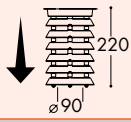
ALUMINIUM BREAKLIGHT (optional)

WHITE COLOUR

CODE: H.FB1

CHROME

CODE: H.FC1



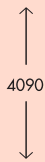
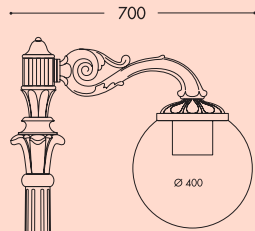
WHITE COLOUR

CODE: H.FB6

CHROME

CODE: H.FC6

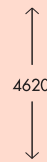
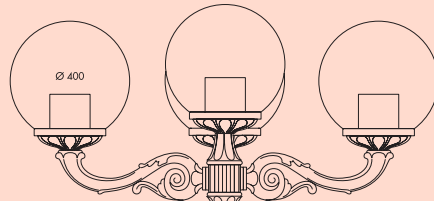
GIONA 4000 ADAM/G400 1L G40.221.M10



400

Pcs 1
Kg 61,31
mc 0,897

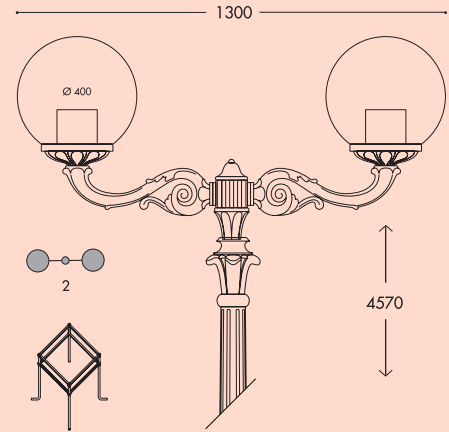
GIONA 4000 ADAM/G400 3+1 G40.221.M31



400

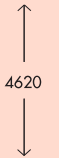
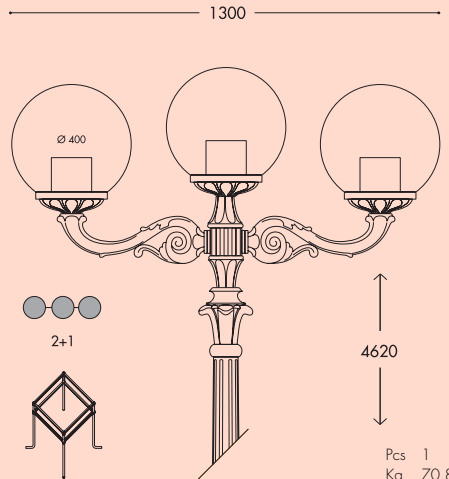
Pcs 1
Kg 76,29
mc 1,32

GIONA 4000 ADAM/G400 2L G40.221.M20



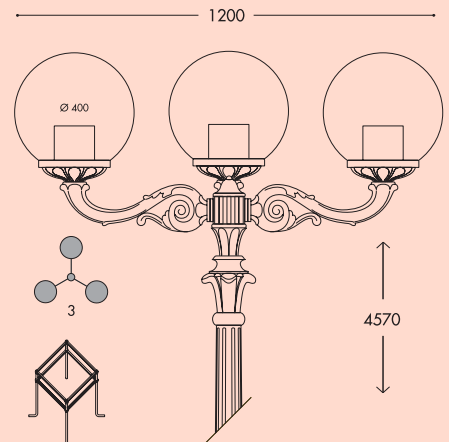
Pcs 1
Kg 66,78
mc 0,965

GIONA 4000 ADAM/G400 2+1 G40.221.M21



Pcs 1
Kg 70,85
mc 1,034

GIONA 4000 ADAM/G400 3L G40.221.M30



Pcs 1
Kg 72,29
mc 1,064