



Orwak 4100

Benefits

- Savings on your waste collection
- Tidy premises
- Space saving

Features

- Single phase
- Fully guarded and inter locked
- The safest in-bin compactor in sector
- Fits various bin systems and sizes



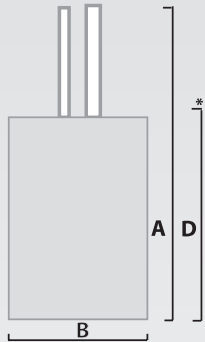
Technical specifications

Dimensions

4100

660L	1100L
A: 2200 mm	2400 mm
B: 1342 mm	1342 mm
C: 1500 mm	1600 mm
D: 1300 mm	2400 mm

*Transport Height, must be ordered



Bin size	660-1100 litre
Cycle time	24 secs
Press force	3 ton, 30 kN
Weight (machine)	
Total:	650 kg
Noise level	< 70 db (A)
Protection class	IP 55

Operating power

Single Phase 230 V, 50 Hz, 10 A

Paint

Two-part paint and powder coat with phosphatising as base

Oil volume/type

5 l ISO VG 32-68 SAE 10 from +5 °C and warmer

Hydraulical data

Working pressure:	110 bar
Relief pressure:	140 bar
Press force:	3 ton, 30 kN
Piston stroke:	790 mm

Safe compacting

Top loading bin compactor for bins (Eurocarts) up to 1100 litres. Flexible design makes the 4100 easily adaptable to most four wheeled bins available on the market.

"Bagged" waste

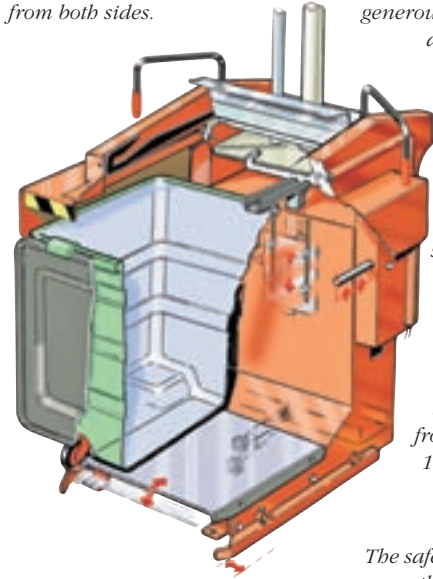
Easy wheel-in, wheel-out operation. Compacts from 4:1 to 8:1 depending on the type of material. Most suitable for "bagged" waste destined for land-fill or incinerating.

Design

Orwak machines are robust and safe to use. A good finish and easy access makes cleaning simple and fast.

Manoeuvrable from both sides.

Top loading with a generous loading aperture.



Safety system for various bin sizes.

Fits standard bins from 660 to 1100 litres.

Lifting plate ensures bin wheels are not damaged.

The safety system ensures, among other things, that bins of different sizes are installed correctly before the machine can be started.

Our promise to You!

- Orwak financial solutions
- Orwak money back guarantee
- Orwak non-stop service

For further information please contact Your local Orwak dealer.

The Orwak 4100 takes care of most of your waste

Paper

Cardboard
Shredded
Paper sacks

Metal Cans

Aluminium cans
Food cans
Paint cans

Other metals

Steel straps

Plastic foil

Shrink film
Plastic bags

Plastic containers

PET bottles
Jugs/bottles

Other plastics

Plastic straps

Semi-dry Waste

● Bagged general waste

Wet

Juice boxes,
Tetra paks

Special

● Steel drums
● Hazardous waste

● Perfect choice

● OK

Other materials contact us

For more info, contact us or visit our website www.orwak.com

We reserve the right to make changes to specifications without prior notice.

Bale/bag/bin weights are dependent upon material type.

AB Orwak

Box 58, SE-576 22 Sävsjö, Sweden

Tel: +46 382-157 00, Fax: +46 382-106 07

E-mail: info@orwak.se

ORWAK®

Making sure less is more

www.orwak.com