

VERTIFLO

The Vertical Pump Specialists

PUMPS FOR INDUSTRY

CONTENTS:

Introduction & User List
Product Overview
Vertical Process Pumps Series 600
Vertical Sewage Pumps Series 700
Vertical Sump Pumps Series 800
Vertical Vortex Pumps Series 900
Vertical Cantilever Pumps Series 1100 and 1200
Horizontal End Suction Pumps-Centrifugal Series 1300 and 1400
Horizontal End Suction Pumps-Vortex Series 1500 and 1600
Horizontal Self-priming Pumps- Centrifugal Series 2100
Engineering Sample Specifications

VERTIFLO SERIES 700

Quality Design Features Assure Long, Trouble-Free Service



WIDE RANGE OF APPLICATIONS:

- Industrial Wastes
- Sanitary Wastes
- Process Wastes
- Rendering Wastes
- Pollution Control

CAPABILITIES:

- Capacities to 1500 GPM
- Heads to 100 Feet
- Pit Depths to 26 Feet
- Construction: Cast Iron

STANDARD MATERIALS OF CONSTRUCTION

Part Description	Materials
Motor Support Thrust Bearing Housing	Cast Iron, Class 30
Shaft	Stainless Steel AISI-416
Column	Steel ASTM-A53
Bearing Housing	Cast Iron, Class 30
Guide Bearings	Bronze SAE 660
Casing, Suction cover, Impeller	Cast Iron, Class 30
Impeller Trim	Stainless Steel AISI- 316
Discharge Pipe	Steel ASTM - A53
Cover Plate	Steel HRS
Adjusting Nut	Steel ASTM-307
Double Lip Seal	Nitrile

CONSTRUCTION:

Standard

- Bronze bottom line shaft bearings
- Bronze intermediate bearings (pit depths over 6'-0")
- Fully enclosed 2 vane non-clog design with wiping vanes
- High-thrust angular contact ball bearing
- External impeller adjustment
- Grease lubricated pump and line shaft bearings
- 416 stainless steel shaft
- Round or square cover plates with vent and inspection openings
- Gas-tight construction
- Pump setting increments of 1'-0" for sump depths up to 26'-0"

- Flanged discharge on all casings
- Long radius discharge elbow
- Standard C face motors

Options

- Various line shaft bearing designs
- 316 stainless steel shafting
- Oval pump mounting plate
- Various float switch enclosures
- Various liquid level controls
- High water alarm
- Alarm bells and horns
- 316 stainless steel float rod
- 316 stainless steel float
- Below plate discharge "T"
- Basins
- Simplex & duplex control panels

1. Motor Support

Assures positive alignment of motor and pump shaft with register fit. Normal thrust, vertical NEMA C face motor standard

2. Flexible Coupling

3. External Impeller Adjustment

High performance maintained without dismantling pump

4. Thrust Bearings

High thrust angular contact bearing. Moisture-proof enclosure with (2) grease seals, purge-type grease lubrication

5. Gas Tight Column Closure

Double lip seal, grease lubricated

6. Cover Plate

Designed for specific unit. Carbon steel standard

7. Column Pipe

Schedule 40 steel with welded flanges

8. Positive Machined Fits

Machine registered fits of column, bearing housing and casing

9. Intermediate Bearing Assembly

Optional designs for special applications. Furnished as standard on pumps built for pit depths greater than 6'-0"

10. Shafting

Accurately machined 416 stainless steel, 1 1/4" or 1 1/2" diameter to assure minimum deflection

11. Pump Bearing Assembly

Heavy construction designed for maximum bearing loadings. Optional designs available

12. Bearings

Various materials available to suit most specifications

13. Choker Ring

Restricts entrance of abrasives and solids into bottom bearing area

14. Impeller

Fully enclosed 2 vane non-clog design with wiping vanes which reduce axial loading and prolongs bearing life. Wiping vanes aid in keeping particles from behind impeller and pump bearing assembly. Impeller is secured to shaft by taper fit with woodruff key, nut.

15. Casing

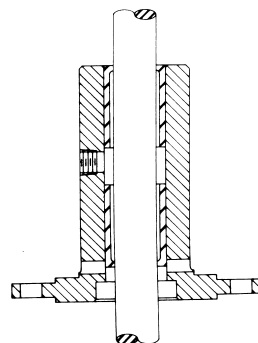
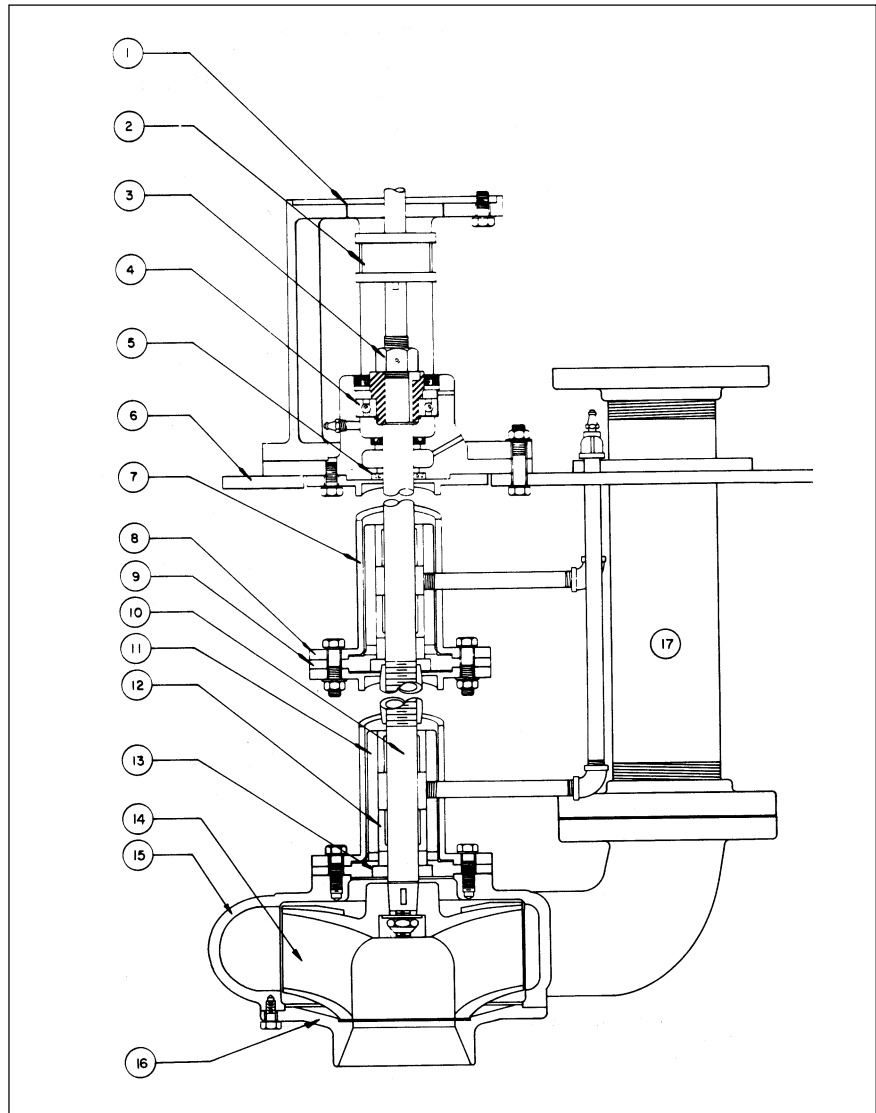
Flanged discharge all sizes. Designed specifically for solids handling. Incorporates long radius elbow, reducing friction loss

16. Suction Cover

Removable on all pumps for easy inspection, cleaning or servicing

17. Discharge Pipe

All sizes flanged. Below plate "T"-type discharge available



Lower Bearing Assembly

The Standard pump bearing assembly consists of choker ring and (2) guide bearing bushings compatible with the liquid. Standard bronze bearings furnished with pressurized grease lubrication. Optional: rubber or carbon graphite.

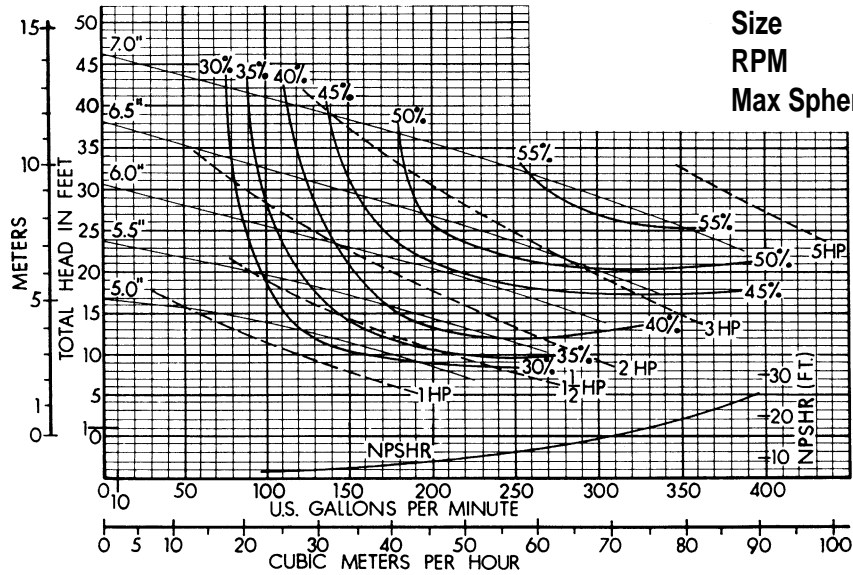
Intermediate Bearing Assembly

The standard intermediate bearing assembly consists of (2) guide bearings compatible with the liquid and is standard when pump length exceeds 6 feet. Standard bronze bearings furnished for pressurized grease lubrication. Optional: rubber or carbon graphite.

Model Number	Shaft Size	Column Pipe Size	Quantity of Bushings Bottom Bearing
720	1.250	4.00	2
724	1.500	4.00	2

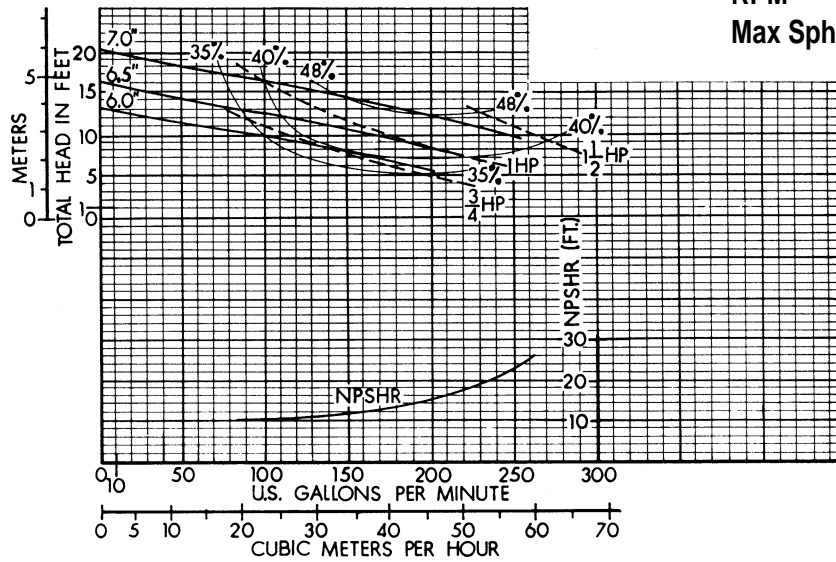
VERTIFLO PUMP COMPANY Performance Curves

Curve 3374



Series 700
 Size 3 X 3 X 7 X 2
 RPM 1750
 Max Sphere 2

Curve 3376



Series 700
 Size 3 X 3 X 7 X 2
 RPM 1150
 Max Sphere 2

700

Performance at Casing Discharge Flange

Curves Show Performance with Liquid Having Specific Gravity 1.0 Viscosity • 30 SSU

CUSTOMER _____ CUSTOMER NO. _____

PROJECT _____

ENGINEER _____

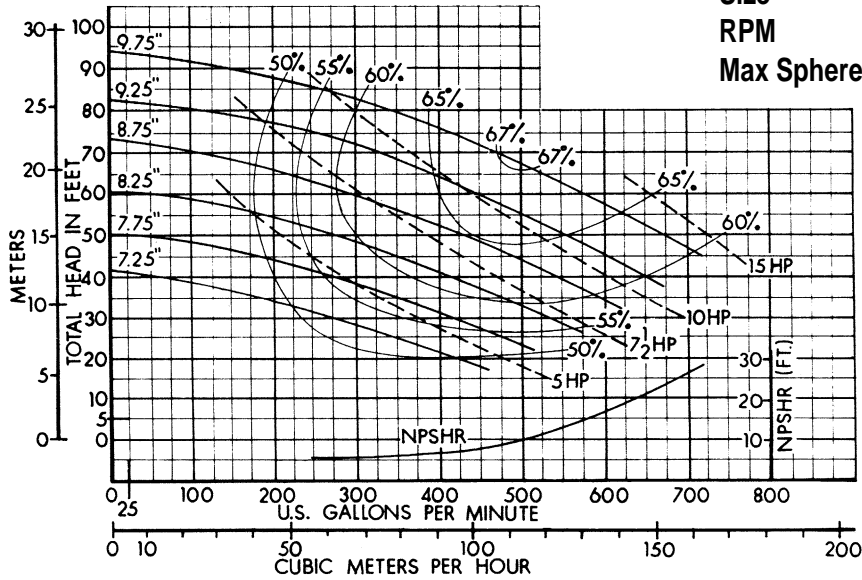
CONTRACTOR _____

CONDITIONS: _____ GPM _____ TDH _____ HP _____ EFF% _____ IMP. DIA _____

VERTIFLO PUMP COMPANY Performance Curves

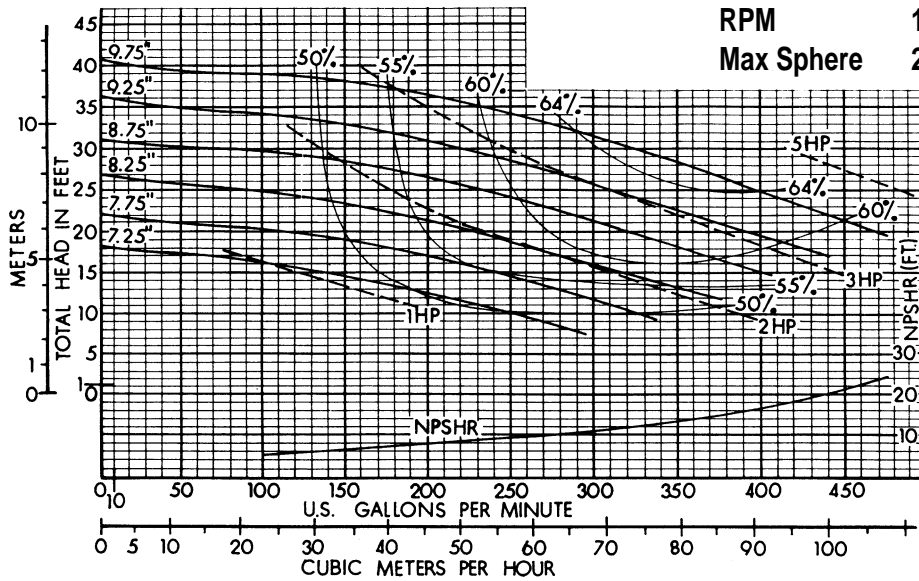
Curve 3394

Series 700
 Size 3 X 3 X 9.75 X 2
 RPM 1750
 Max Sphere 2



Curve 3396

Series 700
 Size 3 X 3 X 9.75 X 2
 RPM 1150
 Max Sphere 2



Performance at Casing Discharge Flange

Curves Show Performance with Liquid Having Specific Gravity 1.0 Viscosity • 30 SSU

CUSTOMER _____ CUSTOMER NO. _____

PROJECT _____

ENGINEER _____

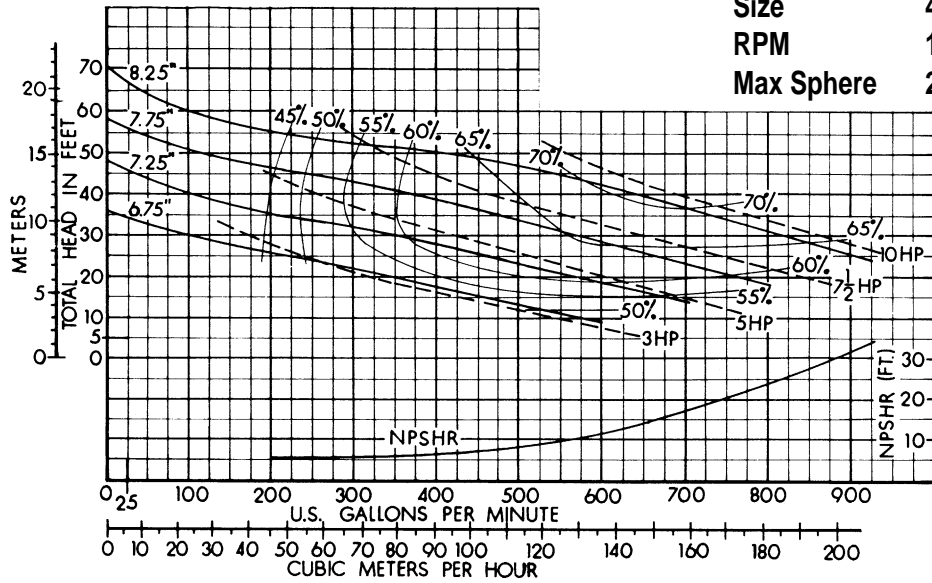
CONTRACTOR _____

CONDITIONS: _____ GPM _____ TDH _____ HP _____ EFF% _____ IMP. DIA _____

VERTIFLO PUMP COMPANY Performance Curves

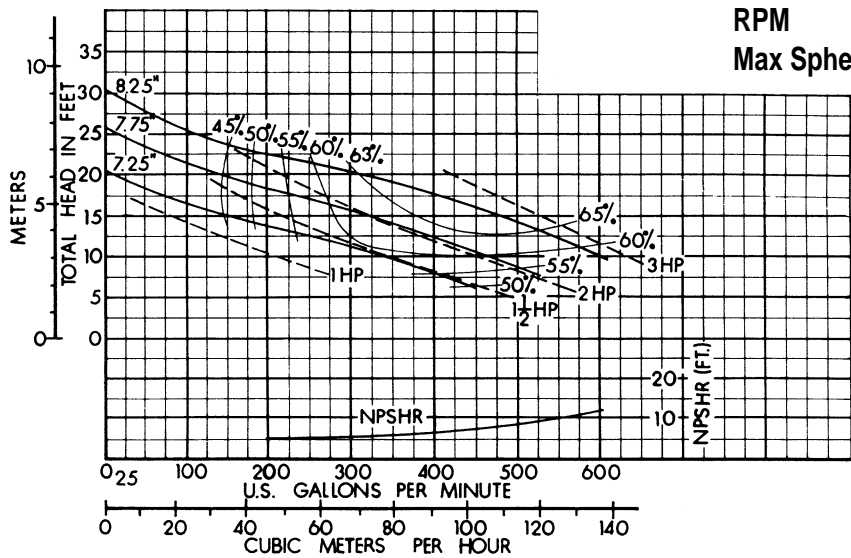
Curve 4484

Series 700
 Size 4 X 4 X 8.25 X 2.5
 RPM 1750
 Max Sphere 2.5



Curve 4486

Series 700
 Size 4 X 4 X 8.25 X 2.5
 RPM 1150
 Max Sphere 2.5



700

Performance at Casing Discharge Flange

Curves Show Performance with Liquid Having Specific Gravity 1.0 Viscosity • 30 SSU

CUSTOMER _____ CUSTOMER NO. _____

PROJECT _____

ENGINEER _____

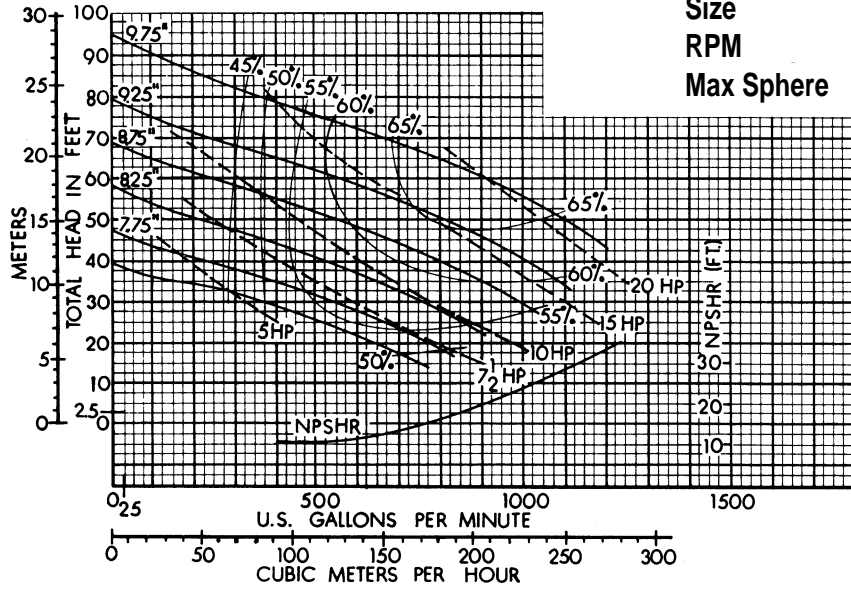
CONTRACTOR _____

CONDITIONS: _____ GPM _____ TDH _____ HP _____ EFF% _____ IMP. DIA _____

VERTIFLO PUMP COMPANY Performance Curves

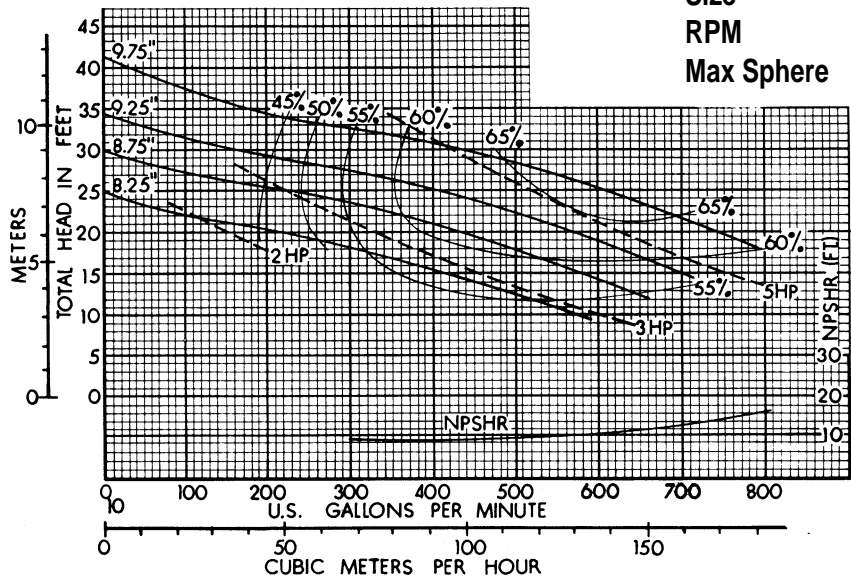
Curve 4494

Series 700
 Size 4 X 4 X 9.75 X 3
 RPM 1750
 Max Sphere 3



Curve 4496

Series 700
 Size 4 X 4 X 9.75 X 3
 RPM 1150
 Max Sphere 3



Performance at Casing Discharge Flange

Curves Show Performance with Liquid Having Specific Gravity 1.0 Viscosity • 30 SSU

CUSTOMER _____ CUSTOMER NO. _____

PROJECT _____

ENGINEER _____

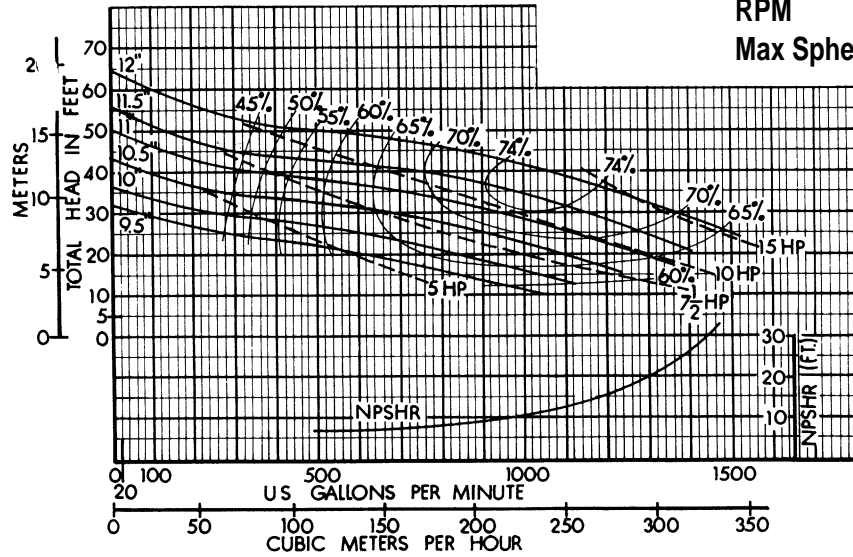
CONTRACTOR _____

CONDITIONS: _____ GPM _____ TDH _____ HP _____ EFF% _____ IMP. DIA _____

VERTIFLO PUMP COMPANY Performance Curves

Curve 55126

Series 700
 Size 5 X 5 X 12 X 3
 RPM 1150
 Max Sphere 3



700

Performance at Casing Discharge Flange

Curves Show Performance with Liquid Having Specific Gravity 1.0 Viscosity • 30 SSU

CUSTOMER _____ CUSTOMER NO. _____

PROJECT _____

ENGINEER _____

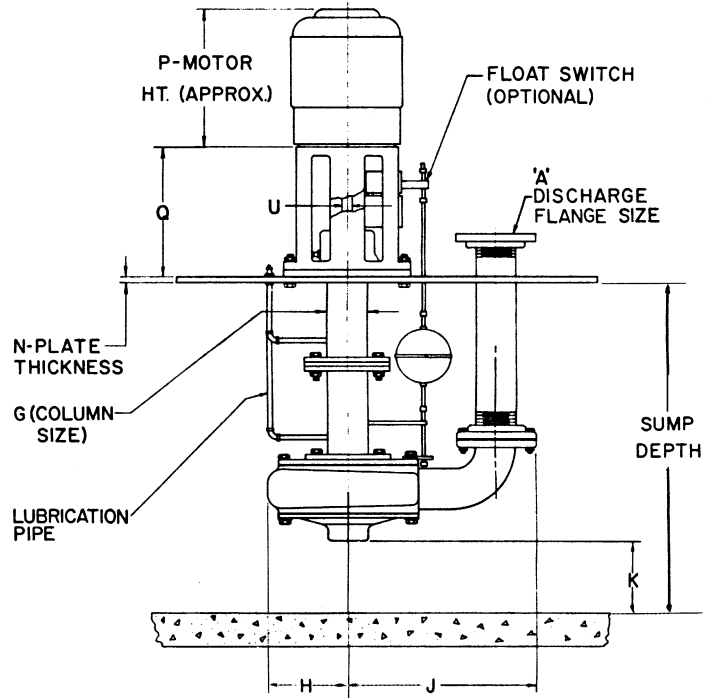
CONTRACTOR _____

CONDITIONS: _____ GPM _____ TDH _____ HP _____ EFF% _____ IMP. DIA _____

700 Series Basic Oval

PUMP DATA

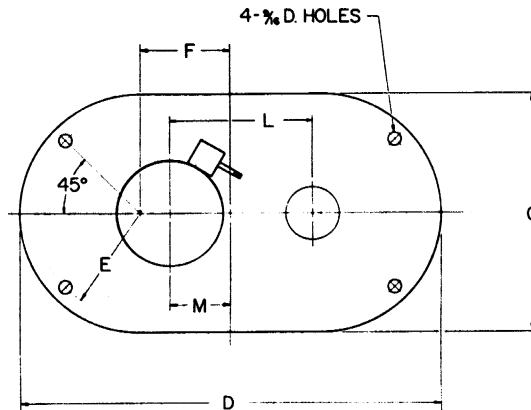
SIZE	3x3x7	3x3x9 ³ / ₄	4x4x8 ¹ / ₄	4x4x9 ³ / ₄	5x5x12
A SUC. DISC.	3	3	4	4	5
B MIN.	2	2	3	3	4
B MAX.	20	18	18	17	15
C	18	18	21	21	22
D	26	26	30	30	32
E	8	8	9 ¹ / ₂	9 ¹ / ₂	10
F	4	4	4 ¹ / ₂	4 ¹ / ₂	5
G	3 ¹ / ₂	4	4	4	4
H	6 ¹ / ₈	7 ⁵ / ₈	7 ¹ / ₂	8 ¹ / ₈	10 ¹ / ₈
J	13 ³ / ₄	13 ³ / ₄	15 ¹ / ₂	15 ¹ / ₂	17
K	4 ³ / ₈	4 ³ / ₈	3 ⁵ / ₈	3 ³ / ₈	3 ¹ / ₈
L	10	10	11	11	12
M	3 ¹ / ₈	3 ¹ / ₈	3 ³ / ₄	3 ³ / ₄	3 ¹ / ₄
N	3 ⁷ / ₈	3 ⁷ / ₈	3 ⁷ / ₈	3 ⁷ / ₈	1 ¹ / ₂
U	7 ⁷ / ₈	1 ¹ / ₈	1 ¹ / ₈	1 ¹ / ₈	1 ¹ / ₈



MOTOR DATA

FRAME	P	Q
56 C	10 ⁷ / ₁₆	12
143 TC	10	12
145 TC	10 ⁷ / ₁₆	12
182-184 TC	13 ¹ / ₂	12
213 TC	15 ¹ / ₂	12
215 TC	17	12
254 TC	20 ¹ / ₈	12
256 TC	21 ⁷ / ₈	12
284 TC	22 ³ / ₈	13
286 TC	23 ⁷ / ₈	13
324 TC	24 ³ / ₄	13 ¹ / ₂
326 TC	26 ¹ / ₈	13 ¹ / ₂
364 TC	26 ¹ / ₂	16 ⁵ / ₈
365 TC	27 ¹ / ₂	16 ⁵ / ₈

"K" Dimension shown is for a pump built for a 2' through 6' pit depth. For each additional column section, subtract 3/8" from "K."



Not for construction unless certified, some dimensions may vary $\pm 1/2"$. Pump Construction: _____

CUSTOMER _____ CUSTOMER NO. _____
 PROJECT _____ SERIAL NO. _____
 ENGINEER _____ LOCATION _____
 CONTRACTOR _____
 PUMP Model Size Curve No. GPM Head SP. GR. @Temp. Pump Length Plate
 DATA _____
 MOTOR Mfr. HP RPM Volt-Phase-Cycle Frame ENC. Furnished by Mounted by
 DATA _____
 Shop Order _____ Certified by _____ Date _____

700 Series Simplex

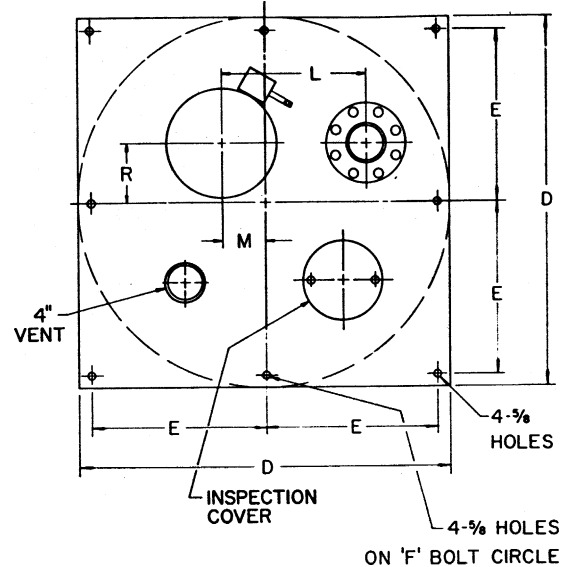
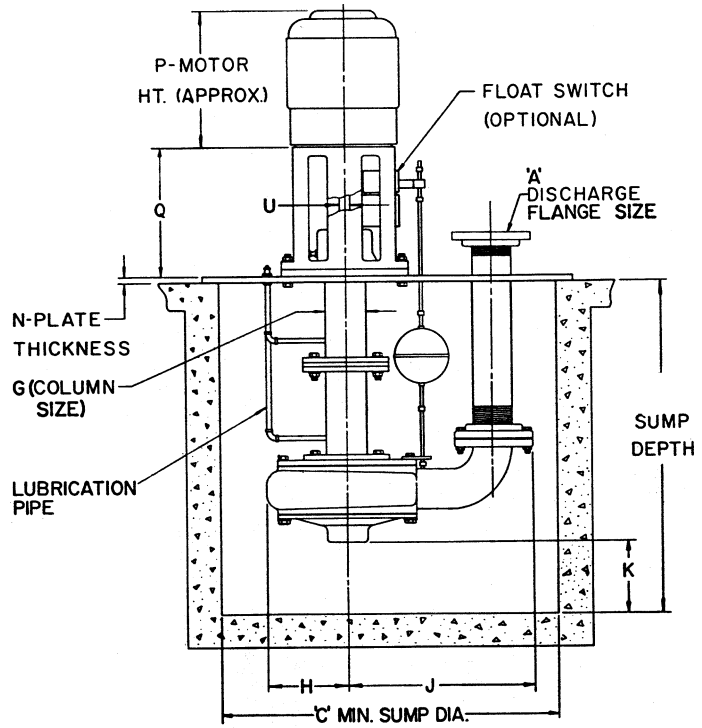
PUMP DATA

SIZE	3x3x7	3x3x9 ³ / ₄	4x4x8 ¹ / ₄	4x4x9 ³ / ₄	5x5x12
A SUC. DISC.	3	3	4	4	5
B MIN.	2	2	3	3	4
B MAX.	20	18	18	17	15
C MIN.	24	24	30	30	30
D MIN.	28	28	34	34	34
E	13	13	16	16	16
F	26	26	32	32	32
G	3 ¹ / ₂	4	4	4	4
H	6 ¹ / ₈	7 ⁵ / ₈	7 ¹ / ₂	8 ¹ / ₈	10 ¹ / ₈
J	13 ³ / ₄	13 ³ / ₄	15 ¹ / ₂	15 ¹ / ₂	17
K	4 ³ / ₈	4 ³ / ₈	3 ⁵ / ₈	3 ³ / ₈	3 ¹ / ₈
L	10	10	11	11	12
M	3 ¹ / ₄	3 ¹ / ₄	5	5	3 ³ / ₈
N	3 ³ / ₈	3 ³ / ₈	3 ³ / ₈	3 ³ / ₈	3 ³ / ₈
R	1 ⁵ / ₈	1 ⁵ / ₈	0	0	0
U	7 ⁷ / ₈	1 ¹ / ₈	1 ¹ / ₈	1 ¹ / ₈	1 ¹ / ₈

MOTOR DATA

FRAME	P	Q
56 C	10 ⁷ / ₁₆	12
143 TC	10	12
145 TC	10 ⁷ / ₁₆	12
182-184 TC	13 ¹ / ₂	12
213 TC	15 ¹ / ₂	12
215 TC	17	12
254 TC	20 ¹ / ₈	12
256 TC	21 ¹ / ₈	12
284 TC	22 ³ / ₈	13
286 TC	23 ³ / ₈	13
324 TC	24 ³ / ₄	13 ¹ / ₂
326 TC	26 ¹ / ₈	13 ¹ / ₂
364 TC	26 ¹ / ₂	16 ⁵ / ₈
365 TC	27 ¹ / ₂	16 ⁵ / ₈

"K" Dimension shown is for a pump built for a 2' through 6' pit depth. For each additional column section, subtract 3/8" from "K."



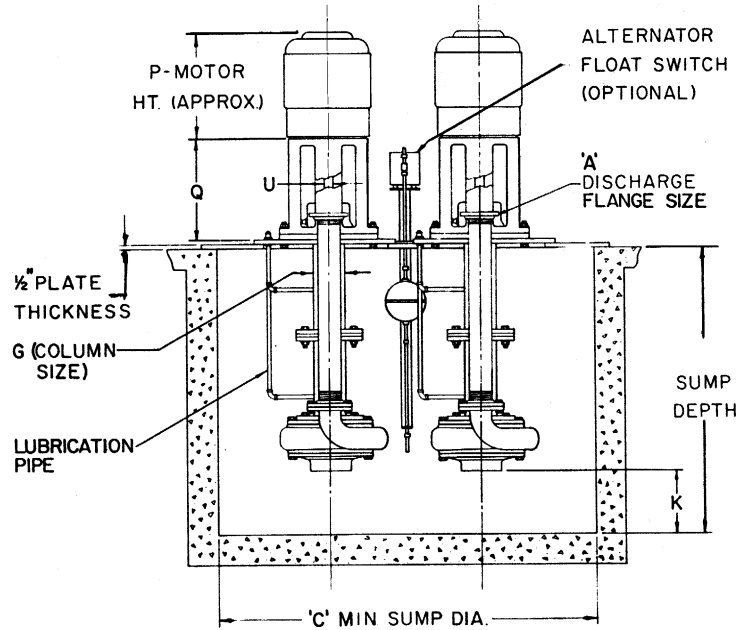
Not for construction unless certified, some dimensions may vary ± 1/2". Pump Construction: _____

CUSTOMER _____ CUSTOMER NO. _____
 PROJECT _____ SERIAL NO. _____
 ENGINEER _____ LOCATION _____
 CONTRACTOR _____
 PUMP Model Size Curve No. GPM Head SP. GR. @Temp. Pump Length Plate
 DATA _____
 MOTOR Mfr. HP RPM Volt-Phase-Cycle Frame ENC. Furnished by Mounted by
 DATA _____
 Shop Order _____ Certified by _____ Date _____

700 Series Duplex

PUMP DATA

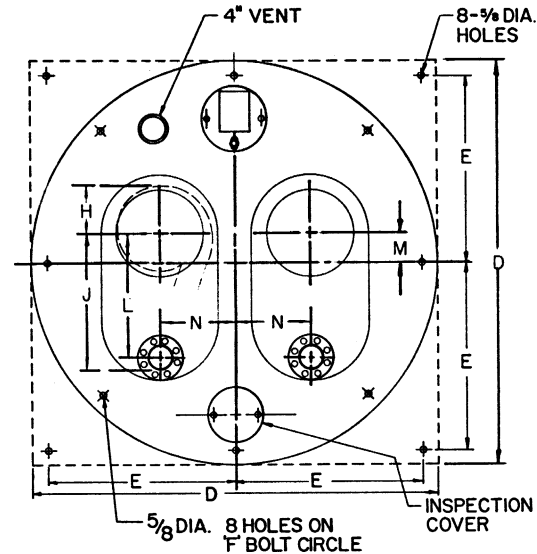
SIZE	3x3x7	3x3x9 ³ / ₄	4x4x8 ¹ / ₄	4x4x9 ³ / ₄	5x5x12
A SUC. DISC.	3	3	4	4	5
B MIN.	2	2	3	3	4
B MAX.	20	18	18	17	15
C MIN.	36	42	48	48	48
D	46	46	54	54	54
E	22	22	25 ¹ / ₂	25 ¹ / ₂	25 ¹ / ₂
F	44	44	51	51	51
G	3 ¹ / ₂	4	4	4	4
H	6 ¹ / ₈	7 ⁵ / ₈	7 ¹ / ₂	8 ¹ / ₈	10 ¹ / ₈
J	13 ³ / ₄	13 ³ / ₄	15 ¹ / ₂	15 ¹ / ₂	17
K	4 ⁷ / ₈	4 ⁷ / ₈	4 ¹ / ₈	3 ⁷ / ₈	3 ⁵ / ₈
L	10	10	11	11	12
M	2	2 ⁷ / ₈	3 ³ / ₄	3 ³ / ₄	3 ¹ / ₄
N	9 ¹ / ₂	9 ¹ / ₂	12 ⁵ / ₈	12 ⁵ / ₈	12
U	7 ⁷ / ₈	1 ¹ / ₈	1 ¹ / ₈	1 ¹ / ₈	1 ¹ / ₈



"K" Dimension shown is for a pump built for a 2' through 6' pit depth. For each additional column section, subtract 3/8" from "K."

MOTOR DATA

FRAME	P	Q
56 C	10 ⁷ / ₁₆	12
143 TC	10	12
145 TC	10 ⁷ / ₁₆	12
182-184 TC	13 ¹ / ₂	12
213 TC	15 ¹ / ₂	12
215 TC	17	12
254 TC	20 ¹ / ₈	12
256 TC	21 ¹ / ₈	12
284 TC	22 ³ / ₈	13
286 TC	23 ³ / ₈	13
324 TC	24 ³ / ₄	13 ¹ / ₂
326 TC	26 ¹ / ₈	13 ¹ / ₂
364 TC	26 ¹ / ₂	16 ⁵ / ₈
365 TC	27 ¹ / ₂	16 ⁵ / ₈



Not for construction unless certified, some dimensions may vary ± 1/2". Pump Construction: _____

CUSTOMER _____ CUSTOMER NO. _____
 PROJECT _____ SERIAL NO. _____
 ENGINEER _____ LOCATION _____
 CONTRACTOR _____
 PUMP Model Size Curve No. GPM Head SP. GR. @Temp. Pump Length Plate
 DATA _____
 MOTOR Mfr. HP RPM Volt-Phase-Cycle Frame ENC. Furnished by Mounted by
 DATA _____
 Shop Order _____ Certified by _____ Date _____