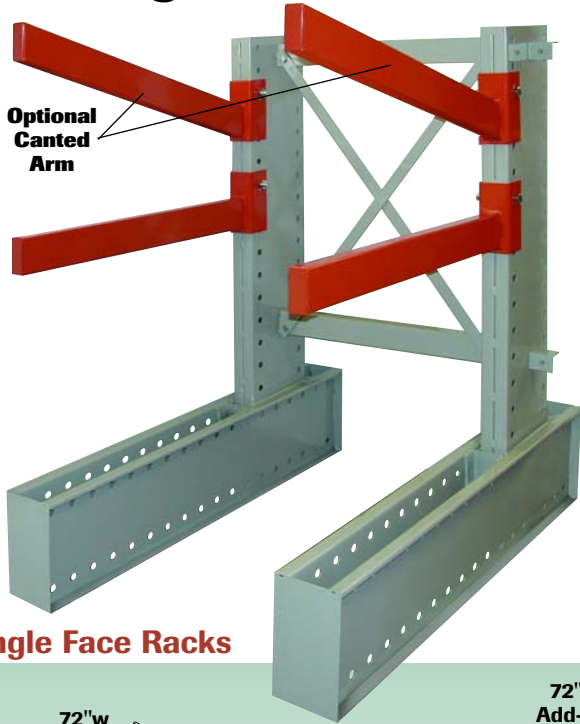


Pre-Engineered 72" Wide Cantilever Rack



ECONOMICAL SOLUTION TO UNUSUAL STORAGE NEEDS

Store bulky, irregular, long and odd-shaped items at low cost. Achieve maximum utilization of warehouse cube without front posts or columns to restrict horizontal space. Handle hard-to-store items, including appliances, building materials, fabrics, flooring, furniture, steel, pipe and other items, with ease. Wide, open rows allow proper load support and easy access.

- All are 72" wide from center post to center post.
- Choose single or double faced models in regular or heavy duty strengths.
- Arms are adjustable on 3" centers, and are available in lengths from 18" to 48".

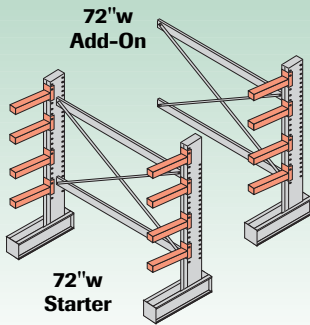
See pages 170-171 for details.

COLOR INFORMATION,
choose from the following

- in stock** Dove Gray
Upright Frames/Accessories
Brace Set Kits
Add Prefix **DD** to Cat. No.
- in stock** Safety Orange
Arms

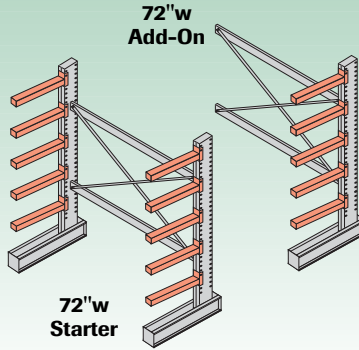


Single Face Racks



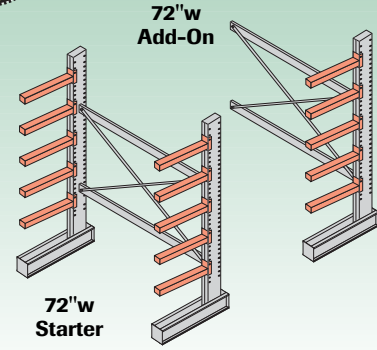
Regular Duty 8' High, 24" Arms

2,000 lb. capacity per arm
Upright Capacity: 8,080 lbs. ea.
No. CSF09624S – Starter
No. CSF09624 – Add-On



Heavy Duty 10' High, 36" Arms

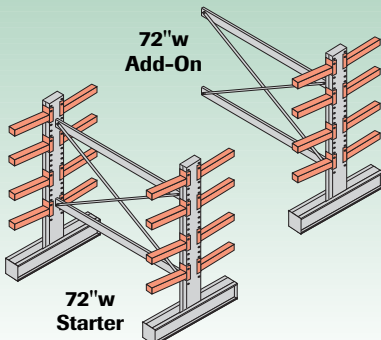
2,260 lb. capacity per arm
Upright Capacity: 11,320 lbs. ea.
No. CSF12036S – Starter
No. CSF12036 – Add-On



Heavy Duty 12' High, 48" Arms

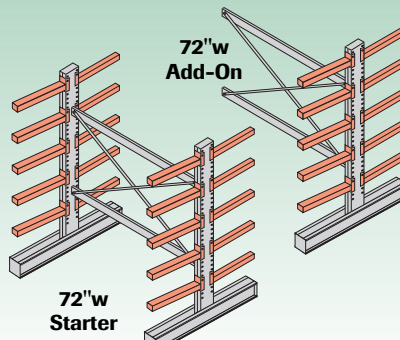
1,845 lb. capacity per arm
Upright Capacity: 9,245 lbs. ea.
No. CSF14448S – Starter
No. CSF14448 – Add-On

Double Face Racks



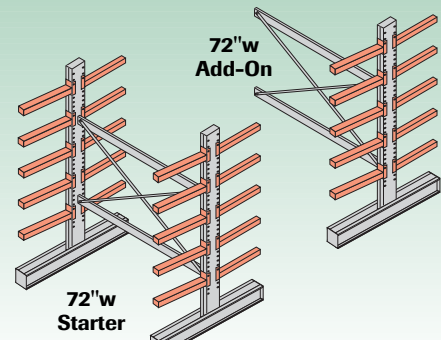
Regular Duty 8' High, 24" Arms

2,000 lb. capacity per arm
Upright Capacity: 8,080 lbs. per side.
No. CDF09624S – Starter
No. CDF09624 – Add-On



Heavy Duty 10' High, 36" Arms

2,260 lb. capacity per arm
Upright Capacity: 11,320 lbs. per side.
No. CDF12036S – Starter
No. CDF12036 – Add-On



Heavy Duty 12' High, 48" Arms

1,845 lb. capacity per arm
Upright Capacity: 9,245 lbs. per side.
No. CDF14448S – Starter
No. CDF14448 – Add-On