

emergency LIGHTING



Ideal for commercial and industrial facilities where economy, appearance and the ultimate ease of installation and maintenance are desired. Solid state electronics offer both reliability and low-cost performance.

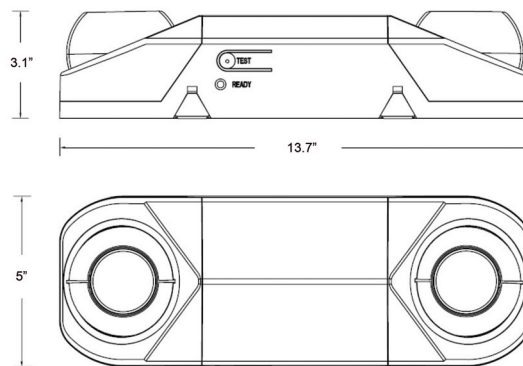


RMR16

FEATURES

- Ultra-bright MR-16 halogen lamps
- 6-Volt, sealed lead acid, rechargeable, maintenance-free battery
- Completely self-contained
- Fully automatic operation
- Compact, low-profile design
- Automatic, low-voltage disconnect (LVD)
- Push-to-test switch
- Dual voltage, 120/277VAC operation
- UL listed for damp location

DIMENSIONS



Ordering Information

Catalog Model #	Housing Color	Battery Voltage	Lamp Wattage	Battery Type	Damp Location	Emergency Operation
RMR-16	W-White B-Black	6V	2x5.4W	Sealed lead acid	Yes	90 Min

