

Genuine stack and nest totes



All nine sizes of totes have ability to use the optional clear label holder. It securely attaches to tote with or without lid for easy part identification. Model No.: **snh010**



Optional lid snaps on tightly and securely to protect container contents. As pictured, lids can be fastened and locked for added security.



snt225



snt230



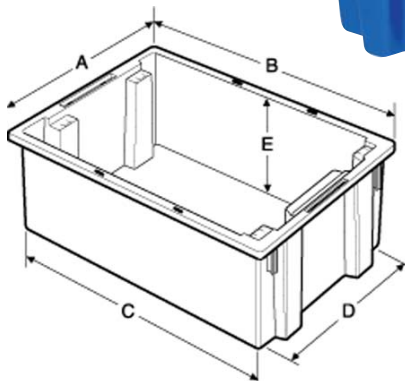
snt240



snt300

PERFORMANCE FEATURES AT A GLANCE:

- Available in 9 sizes
- Standard colors: Gray, Blue and Red
- Totes are injection molded from high density polyethylene material that complies with the USDA and FDA regulations for use in food processing
- stack and nest totes will not rust, corrode, bend out of shape, are unaffected by chemicals and are waterproof
- Reusable container will stack with or without lids for maximum storage and shipping
- snt's have the unique ability to stack and they can be turned 180° to nest when empty saving valuable space
- Textured bottoms ensure safe and easy, non-slip grip in transit on conveyors



Fastest
Shipping
IN THE INDUSTRY

Genuine stack and nest totes

These heavy duty, tough, and dependable stack and nest totes are the ultimate reusable container for storage and transporting your valuable items in any application. These proven containers are available in nine sizes and three colors for efficiency and inventory control. Available in Gray, Blue and Red.

MODEL NO.	OUTSIDE DIMENSIONS			INSIDE DIMENSIONS			CAPACITY (CU FT)	CTN QTY	CTN WGT	CTN LID	CTN QTY
	L" x W" x H"	A	B	C	D	E					
snt180*	18" x 11" x 6"	10"	16"	15-1/4"	9-3/8"	5-7/8"	0.50	6	12 lbs	LID181	6
snt185	18" x 11" x 9"	10"	16"	15-1/8"	9-1/8"	8-7/8"	0.76	6	15 lbs	LID181	6
snt190	19-1/2" x 15-1/2" x 10"	14-1/2"	17"	16"	13-1/4"	9-7/8"	1.20	6	23 lbs	LID191	6
snt195	19-1/2" x 15-1/2" x 13"	14-1/2"	17"	15-7/8"	13-3/8"	12-7/8"	1.70	6	26 lbs	LID191	6
snt200	19-1/2" x 13-1/2" x 8"	12-3/8"	17-7/8"	16-3/8"	11-1/2"	7-7/8"	0.80	6	19 lbs	LID201	6
snt225	23-1/2" x 19-1/2" x 10"	18-1/4"	20-7/8"	19-3/8"	16-7/8"	9-7/8"	2.00	3	18 lbs	LID231	3
snt230	23-1/2" x 19-1/2" x 13"	18-1/8"	20-7/8"	19-1/2"	16-7/8"	12-7/8"	2.60	3	22 lbs	LID231	3
snt240	23-1/2" x 15-1/2" x 12"	14-1/4"	20-7/8"	19-5/8"	13"	11-7/8"	1.70	3	18 lbs	LID241	3
snt300	29-1/2" x 19-1/2" x 15"	18-1/4"	26-5/8"	25-1/8"	16-5/8"	14-7/8"	3.70	3	31 lbs	LID301	3
snh010	Clear Label Holder - 3" x 5" (Fits all tote sizes)							6	1 lb	-	-

* snt180 manufactured of high-density polypropylene.

PRODUCTS
MADE IN THE
USA