



# Battery Powered Smoke Alarm with Safety Light

Part Number 440376

Model 0918

## Safety Light

Illuminates when alarm sounds to guide your way to safety

## Hush® Feature

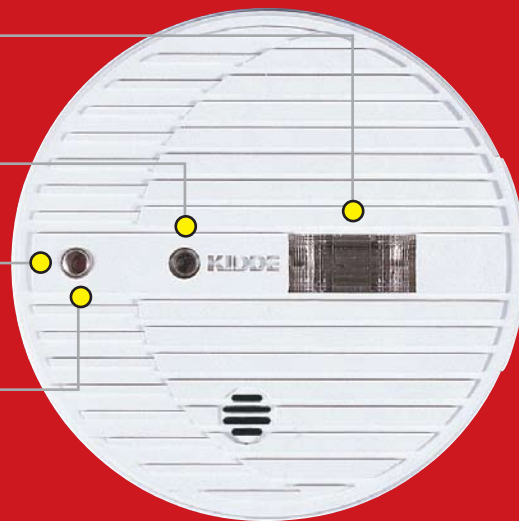
Temporarily silences nuisance alarms

## Test Button

Tests unit's electronic circuitry, horn, safety light and battery function

## Red LED

Flashes every 30-40 seconds to indicate that the smoke alarm is operating



## Description

The Kidde 440376 is a battery operated, ionization smoke alarm with a safety light that helps guide your way to safety. This unit is designed to alert you and your family to the dangers of smoke and fire. The 440376 includes a 9V battery that powers the smoke alarm, along with an additional 9V battery to power the safety light. This easy to install smoke alarm is UL Listed and offers a 10-year limited warranty.

This alarm uses ionization sensing technology. Ionization sensing alarms may detect invisible fire particles (associated with flaming fires) sooner than photoelectric alarms. Photoelectric sensing alarms may detect visible particles (associated with smoldering fires) sooner than ionization alarms.

*Kidde strongly recommends that both ionization and photoelectric smoke alarms be installed to help insure maximum detection of the various types of fire that can occur within the home.*

The Kidde 440376 battery operated smoke alarm with a safety light provides you and your family an early warning signal in the event of a smoke or fire incident. The illumination of the safety light helps guide your way to safety when dense smoke is present. The 440376 includes a Hush® feature that temporarily silences nuisance alarms along with a test button that allows you to test the alarm's electronic circuitry, horn and battery function. This smoke alarm is particularly useful in hallways and near exits.

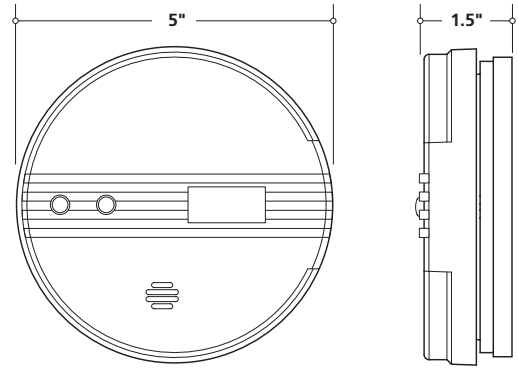
## Features and Benefits

- **Safety Light** – Illuminates when alarm sounds to guide your way to safety.
- **Hush® Feature** – Temporarily silences nuisance alarms.
- **Red LED** – Flashes every 30-40 seconds to indicate that the smoke alarm is operating.
- **Test Button** – Tests unit's electronic circuitry, horn, safety light, and battery function.
- **Battery Operated (Includes 2 9V batteries)** – Protects even during power outages.
- **Tamper Resist Locking Pin** – Helps deter from theft or tampering.
- **Low Battery Indicator** – Smoke alarm will chirp in the event of a low battery.



### Technical Specifications

UPC:	0-47871-40376-9
Power Source:	Two (2) 9V Batteries (included)
Audio Alarm:	85dB at 10ft
Temperature Range:	40°F to 100°F (4°C to 38°C)
Humidity Range:	5%-95% relative humidity (RH)
Sensor:	Ionization
Size:	5" in diameter x 1.5" depth
Weight:	1lb
Interconnects:	No
LED:	Red, normal operation
Warranty:	10 year limited



### Ordering Information

Clamshell UPC: 0-47871-40376-9

**Includes 9V Carbon Zinc Battery**

Part Number	I 2 of 5	Pack Quantity	Dimensions (w x d x h inches)	Weight	Case/Skid	Layers/Skid	Skid Weight
440376**	N/A	Individual	7.5 x 1.87 x 11.25	1lb	N/A	N/A	N/A
44037602	100 47871 40376 6	PDQ (3 units)	7.75 x 6 x 11.75	3lbs	105	3	315lbs
440376-16	200 47871 40376 3	Cut Case (20 units)	16 x 20.75 x 11.75	20lbs	18	3	360lbs
440376-37	300 47871 40376 0	Power Tower (60 units)	20 x 24 x 39.25 (incl. pallet)	60lbs	3	3	60lbs

\*\*Not for sale by individual unit



1016 Corporate Park Drive  
Mebane NC 27302  
1-800-880-6788  
www.kidde.com

**Distributed by:**