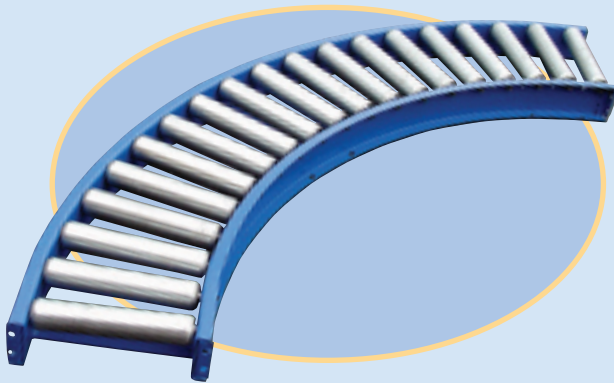


Medium & Heavy Duty Curves & Spurs

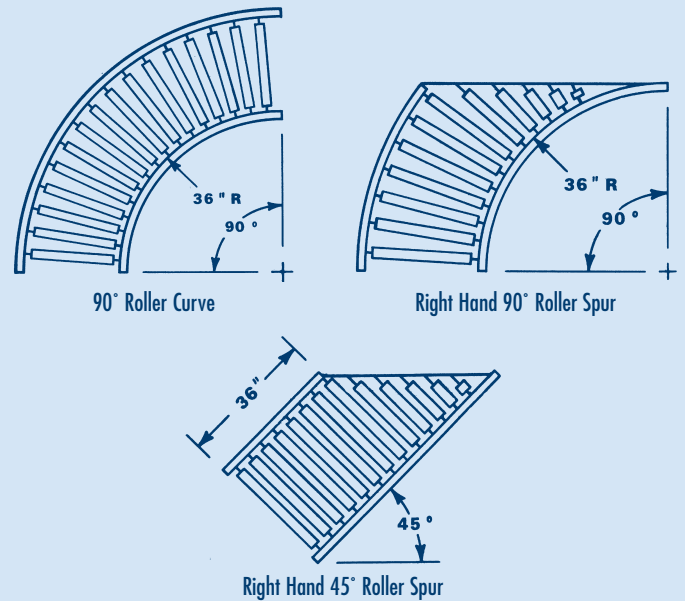
CURVES: These heavier duty units either 45° or 90° can be used to move packages and boxes around corners or obstacles to complete a conveyor line. Guard rails can be added for extra protection.

SPURS: Durable 45° and 90° roller spurs are used in limited access areas where exact entry is required to join several lines of conveyor. Specify right or left hand unit. Special angle spurs are also available.



GENERAL SPECIFICATIONS:

See corresponding 190, 200, and 250 Series straight section conveyors (Pages 12, 13, 14).



▶ 190-SRM SERIES—CURVE

Over-All Width In	Roller Centers In	45° CURVE		90° CURVE	
		Model No	Weight Lbs	Model No	Weight Lbs
12	3	190-SRM-0312-45	45	190-SRM-0312-90	75
18	3	190-SRM-0318-45	57	190-SRM-0318-90	95
24	3	190-SRM-0324-45	66	190-SRM-0324-90	110
30	3	190-SRM-0330-45	77	190-SRM-0330-90	128
36	3	190-SRM-0336-45	88	190-SRM-0336-90	151

▶ 190-SRM SERIES—SPUR

Over-All Width In	Roller Centers In	45° SPUR		90° SPUR	
		Model No	Weight Lbs	Model No	Weight Lbs
12	3	190-SRM-0312-SC-45	60	190-SRM-0312-SC-90	90
18	3	190-SRM-0318-SC-45	76	190-SRM-0318-SC-90	114
24	3	190-SRM-0324-SC-45	88	190-SRM-0324-SC-90	132

▶ 250-SRM SERIES—CURVE

Over-All Width In	Roller Centers In	45° CURVE		90° CURVE	
		Model No	Weight Lbs	Model No	Weight Lbs
12	3	250-SRM-0312-45	51	250-SRM-0312-90	85
18	3	250-SRM-0318-45	72	250-SRM-0318-90	121
24	3	250-SRM-0324-45	90	250-SRM-0324-90	152
30	3	250-SRM-0330-45	101	250-SRM-0330-90	191
36	3	250-SRM-0336-45	117	250-SRM-0336-90	220

▶ 200-SRH SERIES—CURVE

Over-All Width In	Roller Centers In	45° CURVE		90° CURVE	
		Model No	Weight Lbs	Model No	Weight Lbs
12	3	200-SRH-0312-45	51	200-SRH-0312-90	85
18	3	200-SRH-0318-45	72	200-SRH-0318-90	121
24	3	200-SRH-0324-45	90	200-SRH-0324-90	152
30	3	200-SRH-0330-45	109	200-SRH-0330-90	183
36	3	200-SRH-0336-45	130	200-SRH-0336-90	214

▶ 200-SRH SERIES—SPUR

Over-All Width In	Roller Centers In	45° SPUR		90° SPUR	
		Model No	Weight Lbs	Model No	Weight Lbs
12	3	200-SRH-0312-SC-45	68	200-SRH-0312-SC-90	102
18	3	200-SRH-0318-SC-45	96	200-SRH-0318-SC-90	144
24	3	200-SRH-0324-SC-45	121	200-SRH-0324-SC-90	181

▶ 250-SRH SERIES—CURVE

Over-All Width In	Roller Centers In	45° CURVE		90° CURVE	
		Model No	Weight Lbs	Model No	Weight Lbs
12	3	250-SRH-0312-45	88	250-SRH-0312-90	162
18	3	250-SRH-0318-45	112	250-SRH-0318-90	210
24	3	250-SRH-0324-45	135	250-SRH-0324-90	260
30	3	250-SRH-0330-45	157	250-SRH-0330-90	311
36	3	250-SRH-0336-45	179	250-SRH-0336-90	362