



► **DW DRYWALL TRUCK**

These angle frame Drywall trucks transport wall board and other clumsy and oblong materials. 12 gauge all welded steel construction with reinforced understructure. 8" x 2" Plexite phenolic resin wheels standard. Bumpers optional. Powder coated blue.

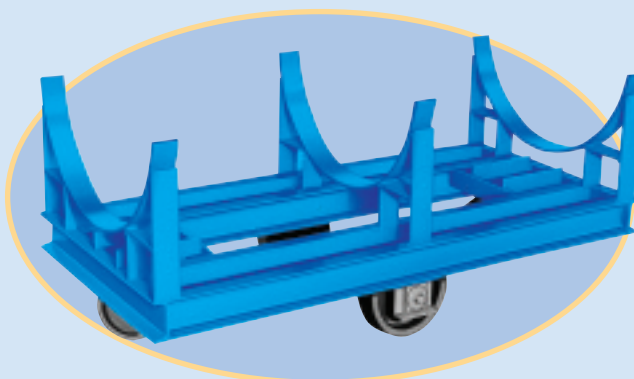
Over-All Dimensions w x l x h	Wheel Size/Type	Model No	Capacity Lbs	Weight Lbs
30 x 60 x 58	8" x 2" Plexite Phenolic Resin	DW-3060-8UM	2500	201



► **GT GARMENT TRUCK**

These garment trucks are constructed of 1" pipe all welded construction. 5" x 1-1/2" Payflex non-marking cushion rubber wheels. Other wheels are available. Corner bumpers or continuous strip bumper are optional and render the GT ideal for institutional usage. Powder coated blue.

Over-All Dimensions w x l x h	Wheel Size/Type	Model No	Capacity Lbs	Weight Lbs
20 x 65 x 72	5" x 1 1/2" Payflex Cushion Tread	GT-2065-50X	750	94



► **CT CRADLE TRUCK**

Obviously these cradle or bar stock trucks are designed to handle long bundles of steel, and may be used in conjunction with an overhead hoist or fork truck. 4" structural channel frame. Tilt type. 3, 4 and 5 cradles depending upon length. 5,000 lbs. capacity standard. Higher capacities available. Consult factory. Powder coated blue. Approximate height 25".

Over-All Dimensions	Wheel Size/Type	Model No	Capacity Lbs	Weight Lbs
28 x 60, 3 Cradles	10" x 3" Load, 8" x 2" Casters, Plexite	CT-2860-3-8UM	5000	305
28 x 96, 4 Cradles		CT-2896-4-8UM		400
28 x 120, 5 Cradles		CT-28120-5-8UM		475