

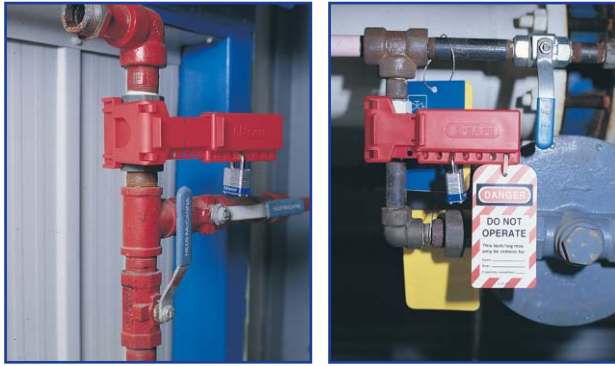
BALL VALVE LOCKOUTS



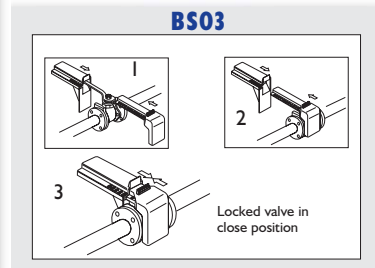
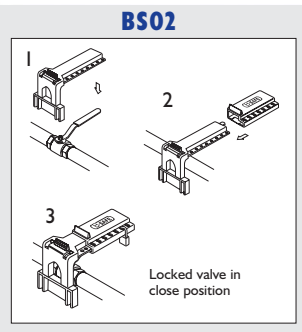
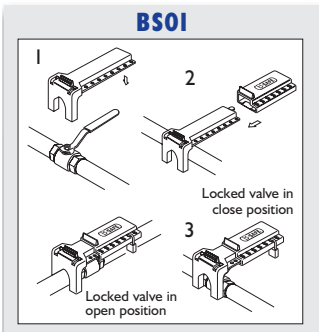
SAFELY • EFFICIENTLY • INEXPENSIVELY

- BS01** Valves from 3/8" to 1 1/4" (9.5 mm. to 31.5 mm.).
- BS02** Valves from 1 1/2" to 2 1/2" (37.5 mm to 62.5 mm.).
- BS03** Valves from 2" to 8" (50 mm. to 200 mm.).

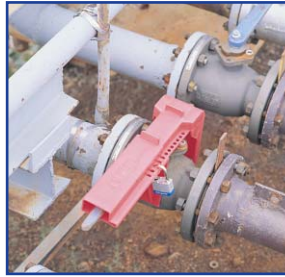
- Made of strong "Polypropylene" plastic.
- Fully dielectric.
- Highly resistant to solvents and other chemical products.
- Highly resistant to cracking and abrasion.
- Resistant to extreme temperature changes
- 50° F (- 46° C) to 360° F (183° C).



ASSEMBLY INSTRUCTIONS



3 DIFFERENT SIZES TO LOCKOUT YOUR BALL VALVES.



BS03
The largest ball valve lockout available on the market.

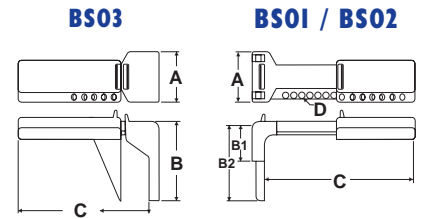
AVAILABLE IN 4 COLORS:
RED, YELLOW, BLUE & GREEN (COLORS RECOMMENDED IN ANSI Z353.1)



TECHNICAL DATA

Models	Width A	Height B	Length of Handle C	Lock Hole D
BS01	3.100" 80 mm.	3.250" 82 mm.	5.375" to 7.500" 135 mm. to 190 mm.	0.312" dia. 8 mm.
BS02	3.750" 95 mm.	5.000" 125 mm.	7.500" to 10.000" 190 mm. to 250 mm.	0.312" dia. 8 mm.
BS03	4.000" 100 mm.	7.450" 186 mm.	12.000" to 17.500" 300 mm to 438 mm	0.312" dia. 8 mm.

Note: Only the BS01 can lock in the open position.



BUTTERFLY VALVE LOCKOUTS

THE ONLY WAY TO SECURE YOUR BUTTERFLY

UNIVERSAL LOCKOUT FOR BUTTERFLY VALVES



BS04

Features:

- Made of strong "Polypropylene" plastic.
- Fully dielectric.
- Highly resistant to solvent and other chemical products.
- Highly resistant to cracking and abrasion.
- Resistant to extreme temperature changes
-50° F (-46° C) to 360° F (183° C).

AVAILABLE IN 4 COLORS: RED, YELLOW, GREEN & BLUE
(COLORS RECOMMENDED IN ANSI Z353.1)



TECHNICAL DATA

Model	Length A	Height B	Width C	Lock Hole D
BS04	12" 305 mm.	2.750" 70 mm.	4.000" 102 mm.	0.375" 9.5 mm.

ASSEMBLY INSTRUCTIONS

