

Gexol® OneWorld-HF Flame Retardant Low Smoke Halogen-Free One Core Power Cable

Extremely Flexible • 0.6/1kV • Rated 85/90°C

Conductor

Flexible Class 5 (metric) tinned copper per IEC 228.

Armor (Optional)

Basket weave wire armor per IEEE 45/1580 and IEC 60092-3 (for wire diameter). Bronze standard. Tinned copper available by request.



Insulation/Jacket

Low smoke halogen-free cross-linked polyethylene meeting IEEE45/1580, IEC 60092-3 and IEC 60092-351 plus a low smoke halogen-free flame retardant polyolefin jacket meeting IEEE 45/1580 Type TPO and IEC 60092-359 Type SHF-1. Meets a 35 lb/in. (6.4 N/mm) tear resistance.

Sheath (Optional)

A low smoke halogen-free flame retardant polyolefin meeting IEEE 45/1580 Type TPO and IEC 60092-359 Type SHF-1. Meets a 35 lb/in. (6.4 N/mm) tear resistance.

Ratings & Approvals

- 85/90°C Temperature Rating
- UL Classified In Accordance With IEEE Std. 1580
- American Bureau of Shipping (ABS) BT367739
- Transport Canada (pending)
- Det Norske Veritas (DNV) (pending)
- Lloyd's Register of Shipping (LRS) (pending)

Hawke Gland Types	Unarmored	Armored & Sheathed
Industrial & Safe Area (IP68)	121	153-X
Increased Safety "EExe"	501/421	501/453/U
Explosion Proof	710 Class 1, Div. 2 Class 1, Zone 2	753 Class 1, Div. 1 Class 1, Zone 1 & 2
Flameproof "EExd"	501/421 Zone 1 & 2	501/453/U (2 liter or < enclosures) ICG 653/U (2 liter or > enclosures) Zone 1 & 2

Application

The Gexol® OneWorld-HF oil & gas cable is designed and constructed for the demanding environments of offshore drilling and petroleum facilities located throughout the world.

Designed, tested and approved to meet BOTH IEC (International) and IEEE (North American) marine shipboard cable standards.

Can be used with EITHER IEC or NEMA designed electrical systems.

Features

- Meets IEC 60092-3, IEC 60092-353 AND IEEE 45/1580.
- Flame retardant: IEC 332-3 Category A/F and IEEE 1202.
- Inner jacket same as outer sheath.
- Low smoke: IEC 61034-2, MIL-C-24643A and NES 711.
- Acidity: IEC 754-2 and MIL-C-24643A.
- Halogen content: IEC 754-1 and MIL-C-24643A
- Toxicity index: NES 713.
- High strand count Class 5 (metric) conductors make this product more flexible and easier to install than standard IEC 60092-350 Series cables that use Class 2 conductors.
- Severe cold durability: exceeds CSA cold bend/cold impact (-40°C/-35°C).
- Suitable for use in Class 1, Division 1, and Zone 1 environments (armored and sheathed).

Flexible Power Cable – One Core

Size (mm²)	Part No. 37-106	Unarmored						Armored and Sheath (BS)						Current Rating			
		Nominal Diameter (mm)	Nominal Diameter (inches)	Weight (kg/km)	Weight (lbs/ 1000ft)	Inductive Reactance (Ohms/km)	Voltage Drop at 85°C (Volts/Amp/km)	Nominal Diameter (mm)	Nominal Diameter (inches)	Weight (kg/km)	Weight (lbs/ 1000Ft.)	Inductive Reactance (Ohms/km)	Voltage Drop at 85°C (Volts/Amp/km)	DC Resistance at 20°C (Ohms/km)	AC Resistance at 85°C 60 hz (Ohms/km)	85°C Core	45°C Ambient
16	-107	11.1	0.436	256	172	0.117	2.234	15.7	0.617	466	312	0.143	2.261	1.240	1.527	90	
25	-108	12.6	0.497	373	251	0.112	1.470	17.2	0.678	609	408	0.135	1.495	0.795	0.979	120	
35	-109	14.4	0.568	482	323	0.114	1.081	19.0	0.749	748	502	0.135	1.103	0.565	0.696	145	
50	-110	16.4	0.647	656	440	0.107	0.788	22.1	0.870	1010	678	0.130	0.811	0.393	0.489	180	
70	-111	18.6	0.731	894	600	0.106	0.587	24.2	0.954	1290	866	0.126	0.608	0.277	0.344	225	
95	-112	20.7	0.813	1155	775	0.102	0.474	26.3	1.036	1591	1068	0.120	0.493	0.210	0.266	275	
120	-113	24.3	0.956	1597	1072	0.102	0.397	29.9	1.179	2030	1362	0.118	0.413	0.164	0.210	320	
150	-114	26.9	1.061	1934	1298	0.099	0.339	32.6	1.284	2492	1672	0.114	0.354	0.132	0.171	365	
185	-115	28.8	1.135	2265	1520	0.098	0.297	34.5	1.358	2860	1919	0.111	0.311	0.108	0.141	415	
240	-116	31.6	1.243	2872	1927	0.097	0.255	37.6	1.480	3525	2365	0.110	0.268	0.082	0.112	490	
300	-117	35.0	1.376	3452	2316	0.095	0.226	41.0	1.613	4169	2797	0.107	0.239	0.065	0.093	560	

• Cable diameters shown as nominal are subject to a ±5% manufacturing tolerance
 • Current ratings based on IEC 60092-352

**OneWorld
Stranding
Profile**
See Page 4

Ordering Gexol OneWorld-HF Cables

Example:

- One core power cable
- 0.6/1kV
- 70mm²
- bronze armored & sheathed

AmerCable
Gexol OneWorld-HF
Prefix

37-106 - 111

Specific Cable Number
(from table)

BS

Armor Requirement
BS – armored &
Sheathed
Blank – no armor

Gexol® OneWorld-HF Flame Retardant Low Smoke Halogen-Free Two Core Power Cable

Extremely Flexible • 0.6/1kV • Rated 85/90°C

Insulation

Low smoke halogen-free cross-linked polyethylene meeting IEEE45/1580, IEC 60092-3 and IEC 60092-351

Color code:

White-Black

Sheath (Optional)

A low smoke halogen-free flame retardant polyolefin meeting IEEE 45/1580 Type TPO and IEC 60092-359 Type SHF-1. Meets a 35 lb/in. (6.4 N/mm) tear resistance.



Conductor

Flexible Class 5 (metric) tinned copper per IEC 228.

Jacket

A low smoke halogen-free flame retardant polyolefin meeting IEEE 45/1580 Type TPO and IEC 60092-359 Type SHF-1. Meets a 35 lb/in. (6.4 N/mm) tear resistance.

Armor (Optional)

Basket weave wire armor per IEEE 45/1580 and IEC 60092-3 (for wire diameter). Bronze standard. Tinned copper available by request.

Application

The Gexol® OneWorld-HF oil & gas cable is designed and constructed for the demanding environments of offshore drilling and petroleum facilities located throughout the world.

Designed, tested and approved to meet BOTH IEC (International) and IEEE (North American) marine shipboard cable standards.

Can be used with EITHER IEC or NEMA designed electrical systems.

Features

- Meets IEC 60092-3, IEC 60092-353 AND IEEE 45/1580.
- Flame retardant: IEC 332-3 Category A/F and IEEE 1202.
- Inner jacket same as outer sheath.
- Low smoke: IEC 61034-2, MIL-C-24643A and NES 711.
- Acidity: IEC 754-2 and MIL-C-24643A.
- Halogen content: IEC 754-1 and MIL-C-24643A
- Toxicity index: NES 713.
- High strand count Class 5 (metric) conductors make this product more flexible and easier to install than standard IEC 60092-350 Series cables that use Class 2 conductors.
- Severe cold durability: exceeds CSA cold bend/cold impact (-40°C/-35°C).
- Suitable for use in Class 1, Division 1, and Zone 1 environments (armored and sheathed).

Ratings & Approvals

- 85/90°C Temperature Rating
- UL Classified In Accordance With IEEE Std. 1580
- American Bureau of Shipping (ABS) BT367739
- Transport Canada (pending)
- Det Norske Veritas (DNV) (pending)
- Lloyd's Register of Shipping (LRS) (pending)

Hawke Gland Types	Unarmored	Armored & Sheathed
Industrial & Safe Area (IP68)	121	153-X
Increased Safety "EEExe"	501/421	501/453/U
Explosion Proof	710 Class 1, Div. 2 Class 1, Zone 2	753 Class 1, Div. 1 Class 1, Zone 1 & 2
Flameproof "EEExd"	501/421 Zone 1 & 2	501/453/U (2 liter or < enclosures) ICG 653/U (2 liter or > enclosures) Zone 1 & 2

Gexol® OneWorld-HF Flame Retardant Low Smoke Halogen-Free Two Core Power Cable

Extremely Flexible • 0.6/1kV • Rated 85/90°C

Flexible Power Cable – Two Core

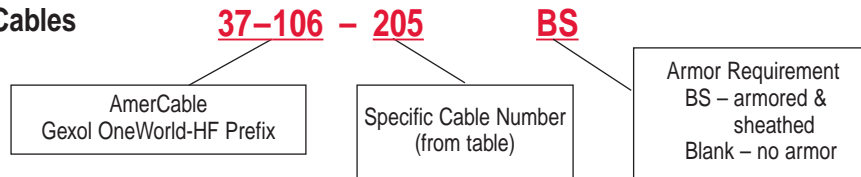
		Unarmored				Armored and Sheath (BS)								
Size (mm²)	Part No. 37-106	Nominal Diameter (mm)	Nominal Diameter (inches)	Weight (kg/km)	Weight (lbs/1000ft)	Nominal Diameter (mm)	Nominal Diameter (inches)	Weight (kg/km)	Weight (lbs/1000ft)	DC Resistance at 20°C (Ohms/km)	AC Resistance at 85°C 60 hz (Ohms/km)	Inductive Reactance (Ohms/km)	Voltage Drop at 85°C (Volts/Amp/km)	Current Rating 85°C Core. 45°C Ambient
1.5	-201	9.3	0.365	107	72	13.1	0.514	260	175	13.700	16.868	0.133	23.483	17
2.5	-202	10.4	0.409	141	95	15.0	0.590	339	228	8.210	10.108	0.120	14.115	24
4	-203	11.8	0.463	192	129	16.4	0.644	414	278	5.090	6.267	0.117	8.795	32
6	-204	12.8	0.505	246	165	17.4	0.686	485	325	3.390	4.174	0.111	5.891	41
10	-205	16.3	0.641	403	271	20.9	0.822	701	470	1.950	2.401	0.108	3.435	57
16	-206	20.7	0.815	635	426	26.4	1.038	1073	720	1.240	1.527	0.099	2.215	77
25	-207	24.9	0.979	972	652	30.5	1.202	1489	999	0.795	0.979	0.096	1.454	102
35	-208	26.8	1.057	1168	784	32.5	1.280	1724	1157	0.565	0.696	0.095	1.062	123
50	-209	30.9	1.215	1589	1066	36.9	1.452	2229	1496	0.393	0.489	0.091	0.771	153
70	-210	35.1	1.383	2150	1443	41.1	1.620	2872	1927	0.277	0.344	0.092	0.572	191
95	-211	39.3	1.547	2762	1853	46.9	1.846	3737	2508	0.210	0.266	0.089	0.461	234

- Cable diameters shown as nominal are subject to a ±5% manufacturing tolerance
- Current ratings based on IEC 60092-352

Ordering Gexol OneWorld-HF Cables

Example:

- Two core power cable
- 0.6/1kV
- 10mm²
- Bronze armor & sheathed



**OneWorld
Stranding
Profile**
See Page 4

Gexol® OneWorld-HF Flame Retardant Low Smoke Halogen-Free Three Core (And Two Core + E) Power Cable

Extremely Flexible • 0.6/1kV • Rated 85/90°C

Conductor

Flexible Class 5 (metric) tinned copper per IEC 228.

Insulation

Low smoke halogen-free cross-linked polyethylene meeting IEEE45/1580, IEC 60092-3 and IEC 60092-351

Color code:

White-Black-Red or Green/Yellow

Sheath (Optional)

A low smoke halogen-free flame retardant polyolefin meeting IEEE 45/1580 Type TPO and IEC 60092-359 Type SHF-1. Meets a 35 lb/in. (6.4 N/mm) tear resistance.



Jacket

A low smoke halogen-free flame retardant polyolefin meeting IEEE 45/1580 Type TPO and IEC 60092-359 Type SHF-1. Meets a 35 lb/in. (6.4 N/mm) tear resistance.

Armor (Optional)

Basket weave wire armor per IEEE 45/1580 and IEC 60092-3 (for wire diameter). Bronze standard. Tinned copper available by request.

Application

The Gexol® OneWorld-HF oil & gas cable is designed and constructed for the demanding environments of offshore drilling and petroleum facilities located throughout the world. Designed, tested and approved to meet BOTH IEC (International) and IEEE (North American) marine shipboard cable standards. Can be used with EITHER IEC or NEMA designed electrical systems.

Features

- Meets IEC 60092-3, IEC 60092-353 AND IEEE 45/1580.
- Flame retardant: IEC 332-3 Category A/F and IEEE 1202.
- Inner jacket same as outer sheath.
- Low smoke: IEC 61034-2, MIL-C-24643A and NES 711.
- Acidity: IEC 754-2 and MIL-C-24643A.
- Halogen content: IEC 754-1 and MIL-C-24643A
- Toxicity index: NES 713.
- High strand count Class 5 (metric) conductors make this product more flexible and easier to install than standard IEC 60092-350 Series cables that use Class 2 conductors.
- Severe cold durability: exceeds CSA cold bend/cold impact (-40°C/-35°C).
- Suitable for use in Class 1, Division 1, and Zone 1 environments (armored and sheathed).

Ratings & Approvals

- 85/90°C Temperature Rating
- UL Classified In Accordance With IEEE Std. 1580
- American Bureau of Shipping (ABS) BT367739
- Transport Canada (pending)
- Det Norske Veritas (DNV) (pending)
- Lloyd's Register of Shipping (LRS) (pending)

Hawke Gland Types	Unarmored	Armored & Sheathed
Industrial & Safe Area (IP68)	121	153-X
Increased Safety "EEExe"	501/421	501/453/U
Explosion Proof	710 Class 1, Div. 2 Class 1, Zone 2	753 Class 1, Div. 1 Class 1, Zone 1 & 2
Flameproof "EEExd"	501/421 Zone 1 & 2	501/453/U (2 liter or < enclosures) ICG 653/U (2 liter or > enclosures) Zone 1 & 2

Gexol® OneWorld-HF Flame Retardant Low Smoke Halogen-Free Three Core (And Two Core + E) Power Cable

Extremely Flexible • 0.6/1kV • Rated 85/90°C

Flexible Power Cable –Three Core (and Two Core + E)

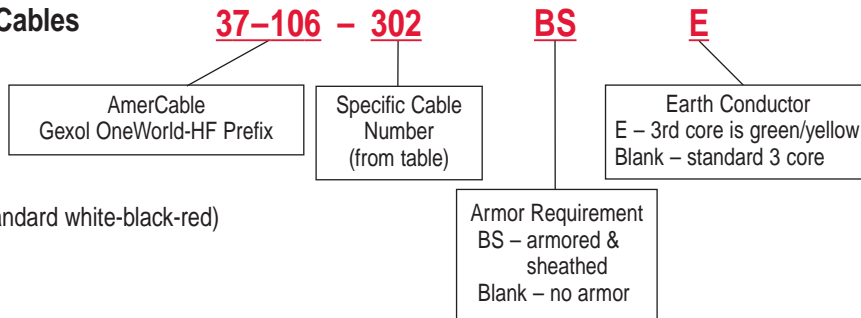
Size (mm²)	Part No. 37-106	Unarmored				Armored and Sheath (BS)				DC Resistance at 20°C (Ohms/km)	AC Resistance at 85°C 60 Hz (Ohms/km)	Inductive Reactance (Ohms/km)	Voltage Drop at 85°C (Volts/Amp/km)	Current Rating 85°C Core, 45°C Ambient
		Nominal Diameter (mm)	Nominal Diameter (inches)	Weight (kg/km)	Weight (lbs/1000ft)	Nominal Diameter (mm)	Nominal Diameter (inches)	Weight (kg/km)	Weight (lbs/1000ft)					
1.5	-301	9.8	0.386	128	86	14.4	0.567	317	213	13.700	16.868	0.133	23.483	14
2.5	-302	11.0	0.433	172	116	15.6	0.614	381	256	8.210	10.108	0.120	14.115	20
4	-303	12.5	0.491	239	160	17.1	0.672	471	316	5.090	6.267	0.117	8.795	27
6	-304	14.4	0.568	337	226	19.0	0.749	603	404	3.390	4.174	0.111	5.891	34
10	-305	17.3	0.681	512	344	23.0	0.904	884	593	1.950	2.401	0.108	3.435	47
16	-306	23.1	0.910	863	579	28.8	1.133	1347	904	1.240	1.527	0.099	2.215	63
25	-307	26.4	1.041	1242	833	32.1	1.264	1791	1202	0.795	0.979	0.096	1.454	84
35	-308	28.6	1.126	1504	1009	34.3	1.349	2095	1406	0.565	0.696	0.095	1.062	102
50	-309	32.9	1.296	2059	1382	38.9	1.533	2700	1812	0.393	0.489	0.091	0.771	126
70	-310	37.5	1.477	2809	1885	45.1	1.776	3742	2511	0.277	0.344	0.092	0.572	158
95	-311	42.0	1.653	3632	2437	49.6	1.952	4669	3133	0.210	0.266	0.089	0.461	193
120	-312	49.1	1.933	5019	3368	56.7	2.232	6219	4173	0.164	0.210	0.088	0.382	224
150	-313	55.0	2.163	6105	4096	62.5	2.462	7440	4992	0.132	0.171	0.086	0.326	256
185	-314	59.1	2.327	7157	4802	66.7	2.626	8584	5760	0.108	0.141	0.086	0.284	291
240	-315	65.3	2.572	9071	6087	74.4	2.929	10890	7307	0.082	0.112	0.086	0.243	343
300	-316	73.6	2.896	11189	7508	82.6	3.253	13240	8884	0.065	0.093	0.085	0.216	392

- Cable diameters shown as nominal are subject to a ±5% manufacturing tolerance
- Current ratings based on IEC 60092-352

Ordering Gexol OneWorld-HF Cables

Example:

- Three core power cable
- 0.6/1kV
- 2.5 mm²
- 3rd core is green/yellow
(delete "E" from part number for standard white-black-red)
- Bronze armored & sheathed



**OneWorld
Stranding
Profile**
See Page 4

Gexol® OneWorld-HF Flame Retardant Low Smoke Halogen-Free Four Core (And Three Core + E) Power Cable

Extremely Flexible • 0.6/1kV • Rated 85/90°C

Insulation

Low smoke halogen-free cross-linked polyethylene meeting IEEE45/1580, IEC 60092-3 and IEC 60092-351

Color code:

White-Black-Red-
Light Blue or Green/Yellow



Conductor

Flexible Class 5 (metric) tinned copper per IEC 228.

Jacket

A low smoke halogen-free flame retardant polyolefin meeting IEEE 45/1580 Type TPO and IEC 60092-359 Type SHF-1. Meets a 35 lb/in. (6.4 N/mm) tear resistance.

Sheath (Optional)

A low smoke halogen-free flame retardant polyolefin meeting IEEE 45/1580 Type TPO and IEC 60092-359 Type SHF-1. Meets a 35 lb/in. (6.4 N/mm) tear resistance.

Armor (Optional)

Basket weave wire armor per IEEE 45/1580 and IEC 60092-3 (for wire diameter). Bronze standard. Tinned copper available by request.

Ratings & Approvals

- 85/90°C Temperature Rating
- UL Classified In Accordance With IEEE Std. 1580
- American Bureau of Shipping (ABS) BT367739
- Transport Canada (pending)
- Det Norske Veritas (DNV) (pending)
- Lloyd's Register of Shipping (LRS) (pending)

Hawke Gland Types	Unarmored	Armored & Sheathed
Industrial & Safe Area (IP68)	121	153-X
Increased Safety "EExe"	501/421	501/453/U
Explosion Proof	710 Class 1, Div. 2 Class 1, Zone 2	753 Class 1, Div. 1 Class 1, Zone 1 & 2
Flameproof "EExd"	501/421 Zone 1 & 2	501/453/U (2 liter or < enclosures) ICG 653/U (2 liter or > enclosures) Zone 1 & 2

Application

The Gexol® OneWorld-HF oil & gas cable is designed and constructed for the demanding environments of offshore drilling and petroleum facilities located throughout the world.

Designed, tested and approved to meet BOTH IEC (International) and IEEE (North American) marine shipboard cable standards.

Can be used with EITHER IEC or NEMA designed electrical systems.

Features

- Meets IEC 60092-3, IEC 60092-353 AND IEEE 45/1580.
- Flame retardant: IEC 332-3 Category A/F and IEEE 1202.
- Inner jacket same as outer sheath.
- Low smoke: IEC 61034-2, MIL-C-24643A and NES 711.
- Acidity: IEC 754-2 and MIL-C-24643A.
- Halogen content: IEC 754-1 and MIL-C-24643A
- Toxicity index: NES 713.
- High strand count Class 5 (metric) conductors make this product more flexible and easier to install than standard IEC 60092-350 Series cables that use Class 2 conductors.
- Severe cold durability: exceeds CSA cold bend/cold impact (-40°C/-35°C).
- Suitable for use in Class 1, Division 1, and Zone 1 environments (armored and sheathed).

Gexol® OneWorld-HF Flame Retardant Low Smoke Halogen-Free Four Core (And Three Core + E) Power Cable

Extremely Flexible • 0.6/1kV • Rated 85/90°C

Flexible Power Cable – Four Core (and Three Core + E)

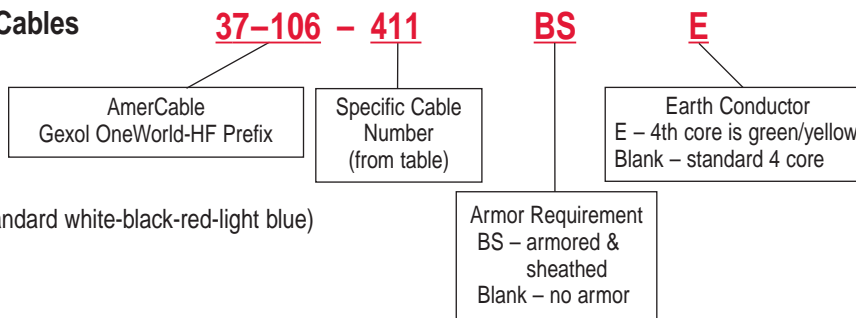
Size (mm²)	Part No. 37-106	Unarmored				Armored and Sheath (BS)				DC Resistance at 20°C (Ohms/km)	AC Resistance at 85°C 60 Hz (Ohms/km)	Inductive Reactance (Ohms/km)	Voltage Drop at 85°C (Volts/Amp/km)	Current Rating 85°C Core, 45°C Ambient
		Nominal Diameter (mm)	Nominal Diameter (inches)	Weight (kg/km)	Weight (lbs/1000ft)	Nominal Diameter (mm)	Nominal Diameter (inches)	Weight (kg/km)	Weight (lbs/1000ft)					
1.5	-401	10.7	0.420	155	104	15.3	0.601	358	240	13.700	16.868	0.141	23.492	14
2.5	-402	12.0	0.473	212	142	16.6	0.654	438	294	8.210	10.108	0.129	14.124	20
4	-403	14.5	0.570	322	216	19.1	0.751	589	395	5.090	6.267	0.126	8.804	27
6	-404	15.8	0.621	417	280	20.4	0.802	705	473	3.390	4.174	0.119	5.901	34
10	-405	19.0	0.747	640	429	24.6	0.970	1043	700	1.950	2.401	0.117	3.444	47
16	-406	25.4	0.999	1073	720	31.0	1.222	1601	1074	1.240	1.527	0.107	2.224	63
25	-407	29.1	1.146	1559	1046	34.8	1.369	2160	1449	0.795	0.979	0.105	1.463	84
35	-408	31.5	1.240	1898	1274	37.5	1.477	2550	1711	0.565	0.696	0.104	1.071	102
50	-409	36.3	1.431	2608	1750	43.9	1.730	3513	2357	0.393	0.489	0.100	0.780	126
70	-410	41.5	1.633	3577	2400	49.1	1.932	4600	3087	0.277	0.344	0.100	0.581	158
95	-411	48.1	1.893	4813	3230	55.7	2.192	5990	4019	0.210	0.266	0.098	0.470	193
120	-412	54.4	2.141	6397	4292	62.0	2.440	7717	5178	0.164	0.210	0.096	0.391	224
150	-413	61.0	2.403	7785	5224	68.6	2.702	9255	6210	0.132	0.171	0.095	0.335	256
185	-414	65.8	2.589	9141	6134	74.8	2.946	10970	7361	0.108	0.141	0.095	0.293	291
240	-415	73.4	2.888	11869	7964	82.4	3.245	13913	9336	0.082	0.112	0.094	0.252	343
300	-416	81.5	3.209	14290	9589	90.6	3.566	16553	11107	0.065	0.093	0.094	0.225	392

- Cable diameters shown as nominal are subject to a ±5% manufacturing tolerance
- Current ratings based on IEC 60092-352

Ordering Gexol OneWorld-HF Cables

Example:

- Four core power cable
- 0.6/1kV
- 95 mm²
- 4th core is green/yellow
(delete "E" from part number for standard white-black-red-light blue)
- Bronze armored & sheathed



**OneWorld
Stranding
Profile**
See Page 4

Gexol® OneWorld-HF Flame Retardant Low Smoke Halogen-Free Five Core Power Cable

Extremely Flexible • 0.6/1kV • Rated 85/90°C

Conductor

Flexible Class 5 (metric) tinned copper per IEC 228.

Jacket

A low smoke halogen-free flame retardant polyolefin meeting IEEE 45/1580 Type TPO and IEC 60092-359 Type SHF-1. Meets a 35 lb/in. (6.4 N/mm) tear resistance.

Armor (Optional)

Basket weave wire armor per IEEE 45/1580 and IEC 60092-3 (for wire diameter). Bronze standard. Tinned copper available by request.

Insulation

Low smoke halogen-free cross-linked polyethylene meeting IEEE45/1580, IEC 60092-3 and IEC 60092-351

Color code:
White with printed black numbers.

Sheath (Optional)

A low smoke halogen-free flame retardant polyolefin meeting IEEE 45/1580 Type TPO and IEC 60092-359 Type SHF-1. Meets a 35 lb/in. (6.4 N/mm) tear resistance.



Ratings & Approvals

- 85/90°C Temperature Rating
- UL Classified In Accordance With IEEE Std. 1580
- American Bureau of Shipping (ABS) BT367739
- Transport Canada (pending)
- Det Norske Veritas (DNV) (pending)
- Lloyd's Register of Shipping (LRS) (pending)

Hawke Gland Types	Unarmored	Armored & Sheathed
Industrial & Safe Area (IP68)	121	153-X
Increased Safety "EExe"	501/421	501/453/U
Explosion Proof	710 Class 1, Div. 2 Class 1, Zone 2	753 Class 1, Div. 1 Class 1, Zone 1 & 2
Flameproof "EExd"	501/421 Zone 1 & 2	501/453/U (2 liter or < enclosures) ICG 653/U (2 liter or > enclosures) Zone 1 & 2

Application

The Gexol® OneWorld-HF oil & gas cable is designed and constructed for the demanding environments of offshore drilling and petroleum facilities located throughout the world.

Designed, tested and approved to meet BOTH IEC (International) and IEEE (North American) marine shipboard cable standards.

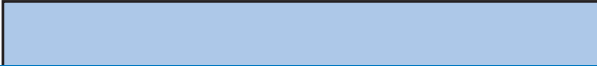
Can be used with EITHER IEC or NEMA designed electrical systems.

Features

- Meets IEC 60092-3, IEC 60092-353 AND IEEE 45/1580.
- Flame retardant: IEC 332-3 Category A/F and IEEE 1202.
- Inner jacket same as outer sheath.
- Low smoke: IEC 61034-2, MIL-C-24643A and NES 711.
- Acidity: IEC 754-2 and MIL-C-24643A.
- Halogen content: IEC 754-1 and MIL-C-24643A
- Toxicity index: NES 713.
- High strand count Class 5 (metric) conductors make this product more flexible and easier to install than standard IEC 60092-350 Series cables that use Class 2 conductors.
- Severe cold durability: exceeds CSA cold bend/cold impact (-40°C/-35°C).
- Suitable for use in Class 1, Division 1, and Zone 1 environments (armored and sheathed).

GEXOL® is a registered trademark of AmerCable Incorporated

Flexible Power Cable – Five Core



Size	Part No.	Nominal Diameter	Nominal Diameter	Weight (lbs/ft)	Nominal Diameter	Nominal Diameter	Weight (lbs/ft)	DC Resistance at 20°C	AC Resistance at 85°C	Inductive Reactance	Voltage Drop at 85°C	Current Rating 85°C Core.

Ordering Gexol OneWorld-HF Cables

Example:

- Five core power cable
- 0.6/1kV
- 120 mm²
- Bronze armored & sheathed

AmerCable
Gexol OneWorld-HF Prefix

37-106 - 512

BS

Gexol® OneWorld-HF Flame Retardant Low Smoke Halogen-Free Individually Shielded Pairs Instrumentation Cable

Extremely Flexible • 250V (IEC), 0.6/1kV (IEEE) • Rated 85/90°C

Pairs

Each pair is twisted with a bare tinned drain wire. Each pair is shielded with polyester-backed aluminum foil tape to afford 100% coverage. Pair-to-pair isolation plus overall shield is provided.

Pair color code:

Black-Light Blue

Armor (Optional)

Basket weave wire armor per IEEE 45/1580 and IEC 60092-3 (for wire diameter). Bronze standard. Tinned copper available by request.

Cable available with blue jacket or stripe to signify intrinsically safe circuit.



Conductor

Flexible Class 5 (metric) tinned copper per IEC 228.

Insulation

Low smoke halogen-free cross-linked polyethylene meeting IEEE45/1580, IEC 60092-3 and IEC 60092-351

Jacket

A low smoke halogen-free flame retardant polyolefin meeting IEEE 45/1580 Type TPO and IEC 60092-359 Type SHF-1. Meets a 35 lb/in. (6.4 N/mm) tear resistance.

Sheath (Optional)

A low smoke halogen-free flame retardant polyolefin meeting IEEE 45/1580 Type TPO and IEC 60092-359 Type SHF-1. Meets a 35 lb/in. (6.4 N/mm) tear resistance.

Application

The Gexol® OneWorld-HF oil & gas cable is designed and constructed for the demanding environments of offshore drilling and petroleum facilities located throughout the world.

Designed, tested and approved to meet BOTH IEC (International) and IEEE (North American) marine shipboard cable standards.

Can be used with EITHER IEC or NEMA designed electrical systems.

Features

- Meets IEC 60092-3, IEC 60092-353 AND IEEE 45/1580.
- Flame retardant: IEC 332-3 Category A/F and IEEE 1202.
- Inner jacket same as outer sheath.
- Low smoke: IEC 61034-2, MIL-C-24643A and NES 711.
- Acidity: IEC 754-2 and MIL-C-24643A.
- Halogen content: IEC 754-1 and MIL-C-24643A
- Toxicity index: NES 713.
- High strand count Class 5 (metric) conductors make this product more flexible and easier to install than standard IEC 60092-350 Series cables that use Class 2 conductors.
- Severe cold durability: exceeds CSA cold bend/cold impact (-40°C/-35°C).
- Suitable for use in Class 1, Division 1, and Zone 1 environments (armored and sheathed).

Ratings & Approvals

- 85/90°C Temperature Rating
- UL Classified In Accordance With IEEE Std. 1580
- American Bureau of Shipping (ABS) BT367739
- Transport Canada (pending)
- Det Norske Veritas (DNV) (pending)
- Lloyd's Register of Shipping (LRS) (pending)

Hawke Gland Types	Unarmored	Armored & Sheathed
Industrial & Safe Area (IP68)	121	153-X
Increased Safety "EExe"	501/421	501/453/U
Explosion Proof	710 Class 1, Div. 2 Class 1, Zone 2	753 Class 1, Div. 1 Class 1, Zone 1 & 2
Flameproof "EExd"	501/421 Zone 1 & 2	501/453/U (2 liter or < enclosures) ICG 653/U (2 liter or > enclosures) Zone 1 & 2

GEXOL® is a registered trademark of AmerCable Incorporated

Gexol® OneWorld-HF Flame Retardant Low Smoke Halogen-Free Individually Shielded Pairs Instrumentation Cable

Extremely Flexible • 250V (IEC), 0.6/1kV (IEEE) • Rated 85/90°C

Flexible Instrumentation Cable – Individually Shielded Pairs

Size (mm ²)	No. of Pairs	Part No. 37-106	Unarmored				Armored and Sheath (BS)			
			Nominal Diameter (mm)	Nominal Diameter (inches)	Weight (kg/km)	Weight (lbs/1000ft)	Nominal Diameter (mm)	Nominal Diameter (inches)	Weight (kg/km)	Weight (lbs/1000ft)
1.0	1	-601	8.6	0.337	76	51	12.3	0.486	219	147
1.0	2	-602	13.1	0.514	136	91	17.7	0.695	379	254
1.0	3	-603	14.7	0.578	201	135	19.3	0.759	472	317
1.0	4	-604	16.0	0.631	246	165	20.6	0.812	539	362
1.0	5	-605	17.5	0.689	292	196	23.2	0.912	667	448
1.0	7	-606	19.1	0.750	371	249	24.7	0.973	778	522
1.0	8	-607	20.7	0.813	418	280	26.3	1.036	854	573
1.0	10	-608	25.3	0.996	576	386	31.0	1.219	1103	740
1.0	12	-609	26.1	1.028	652	437	31.8	1.251	1194	801
1.0	16	-610	29.0	1.140	817	548	34.6	1.363	1415	949
1.0	18	-611	30.0	1.180	896	601	35.6	1.403	1512	1015
1.0	24	-612	35.7	1.404	1159	778	41.7	1.641	1891	1269
1.5	1	-613	9.0	0.355	89	60	12.8	0.505	239	160
1.5	2	-614	14.4	0.565	186	125	19.0	0.746	451	303
1.5	3	-615	15.7	0.617	240	161	20.1	0.793	522	350
1.5	4	-616	17.0	0.671	295	198	22.7	0.894	661	444
1.5	5	-617	18.5	0.730	352	236	24.2	0.953	748	502
1.5	7	-618	20.1	0.792	453	304	25.8	1.015	878	589
1.5	8	-619	22.8	0.896	564	378	28.6	1.127	1055	708
1.5	10	-620	26.6	1.047	692	464	32.5	1.278	1248	837
1.5	12	-621	27.5	1.081	791	531	33.3	1.312	1375	923
1.5	16	-622	30.7	1.207	1002	672	36.3	1.430	1606	1078
1.5	18	-623	32.1	1.265	1106	742	38.0	1.496	1755	1178
1.5	20	-624	33.7	1.327	1210	812	39.6	1.560	1894	1271
1.5	24	-625	37.6	1.482	1429	959	45.1	1.775	2349	1576

1.0 mm² Pairs
 Capacitance = 108 nF/km
 Inductance = 0.72 mH/km
 Max. DC Resistance @20°C = 20.0 ohms/km

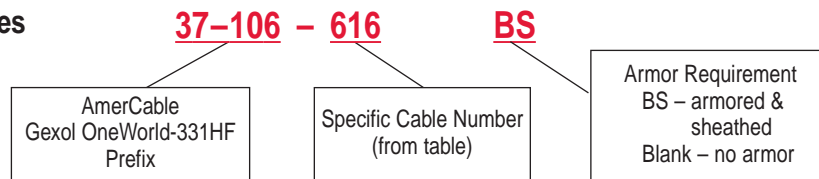
1.5 mm² Pairs
 Capacitance = 119 nF/km
 Inductance = 0.69 mH/km
 Max. DC Resistance @20°C = 13.7 ohms/km

Cable diameters shown as nominal are subject to a ±5% manufacturing tolerance

Ordering Gexol OneWorld-HF Cables

Example:

- Instrumentation cable
- 250V(IEC), 0.6/1kV (IEEE)
- 1.5mm², 4 Pair
- bronze armored & sheathed



**OneWorld
Stranding
Profile**

See Page 4

Gexol® OneWorld-HF Flame Retardant Low Smoke Halogen-Free Individually Shielded Triads Instrumentation Cable

Extremely Flexible • 250V (IEC), 0.6/1kV (IEEE) • Rated 85/90°C

Triads

Each triad is twisted with a bare tinned drain wire. Each triad is shielded with polyester-backed aluminum foil tape to afford 100% coverage. Triad-to-triad isolation plus overall shielding is provided.

Triad color code:
Black-Light Blue-Brown

Armor (Optional)

Basket weave wire armor per IEEE 45/1580 and IEC 60092-3 (for wire diameter). Bronze standard. Tinned copper available by request.

Sheath (Optional)

A low smoke halogen-free flame retardant polyolefin meeting IEEE 45/1580 Type TPO and IEC 60092-359 Type SHF-1. Meets a 35 lb/in. (6.4 N/mm) tear resistance.



Conductor

Flexible Class 5 (metric) tinned copper per IEC 228.

Insulation

Low smoke halogen-free cross-linked polyethylene meeting IEEE45/1580, IEC 60092-3 and IEC 60092-351

Jacket

A low smoke halogen-free flame retardant polyolefin meeting IEEE 45/1580 Type TPO and IEC 60092-359 Type SHF-1. Meets a 35 lb/in. (6.4 N/mm) tear resistance.

Cable available with blue jacket or stripe to signify intrinsically safe circuit.

Application

The Gexol® OneWorld-HF oil & gas cable is designed and constructed for the demanding environments of offshore drilling and petroleum facilities located throughout the world. Designed, tested and approved to meet BOTH IEC (International) and IEEE (North American) marine shipboard cable standards. Can be used with EITHER IEC or NEMA designed electrical systems.

Features

- Meets IEC 60092-3, IEC 60092-353 AND IEEE 45/1580.
- Flame retardant: IEC 332-3 Category A/F and IEEE 1202.
- Inner jacket same as outer sheath.
- Low smoke: IEC 61034-2, MIL-C-24643A and NES 711.
- Acidity: IEC 754-2 and MIL-C-24643A.
- Halogen content: IEC 754-1 and MIL-C-24643A
- Toxicity index: NES 713.
- High strand count Class 5 (metric) conductors make this product more flexible and easier to install than standard IEC 60092-350 Series cables that use Class 2 conductors.
- Severe cold durability: exceeds CSA cold bend/cold impact (-40°C/-35°C).
- Suitable for use in Class 1, Division 1, and Zone 1 environments (armored and sheathed).

Ratings & Approvals

- 85/90°C Temperature Rating
- UL Classified In Accordance With IEEE Std. 1580
- American Bureau of Shipping (ABS) BT367739
- Transport Canada (pending)
- Det Norske Veritas (DNV) (pending)
- Lloyd's Register of Shipping (LRS) (pending)

Hawke Gland Types	Unarmored	Armored & Sheathed
Industrial & Safe Area (IP68)	121	153-X
Increased Safety "EExe"	501/421	501/453/U
Explosion Proof	710 Class 1, Div. 2 Class 1, Zone 2	753 Class 1, Div. 1 Class 1, Zone 1 & 2
Flameproof "EExd"	501/421 Zone 1 & 2	501/453/U (2 liter or < enclosures) ICG 653/U (2 liter or > enclosures) Zone 1 & 2

GEXOL® is a registered trademark of AmerCable Incorporated

Gexol® OneWorld-HF Flame Retardant Low Smoke Halogen-Free Individually Shielded Triads Instrumentation Cable

Extremely Flexible • 250V (IEC), 0.6/1kV (IEEE) • Rated 85/90°C

Flexible Instrumentation Cable – Individually Shielded Triads

Size (mm ²)	No. of Triads	Part No. 37-106	Unarmored				Armored and Sheath (BS)			
			Nominal Diameter (mm)	Nominal Diameter (inches)	Weight (kg/km)	Weight (lbs/1000ft)	Nominal Diameter (mm)	Nominal Diameter (inches)	Weight (kg/km)	Weight (lbs/1000ft)
1.0	1	-626	9.0	0.355	98	66	12.8	0.504	248	166
1.0	2	-627	16.8	0.660	222	149	22.4	0.883	582	391
1.0	3	-628	17.8	0.700	283	190	23.4	0.923	664	446
1.0	4	-629	19.5	0.768	350	235	25.2	0.991	765	513
1.0	5	-630	22.5	0.885	474	318	28.1	1.108	946	635
1.0	7	-631	24.5	0.963	600	403	30.1	1.186	1110	745
1.0	8	-632	26.5	1.043	675	453	32.2	1.266	1225	822
1.0	12	-633	32.1	1.264	945	634	38.1	1.501	1608	1079
1.5	1	-634	9.5	0.374	113	76	14.1	0.555	296	199
1.5	3	-635	18.8	0.741	331	222	24.5	0.964	732	491
1.5	4	-636	20.7	0.814	413	277	26.3	1.037	850	570
1.5	6	-637	25.9	1.020	642	431	31.6	1.243	1181	792
1.5	7	-638	25.9	1.020	709	476	31.6	1.243	1248	837
1.5	8	-639	28.1	1.105	797	535	33.7	1.328	1377	924

Cable diameters shown as nominal are subject to a ±5% manufacturing tolerance

1.0 mm² Triads

Capacitance = 108 nF/km
Inductance = 0.72 mH/km
Max. DC Resistance @20°C = 20.0 ohms/km

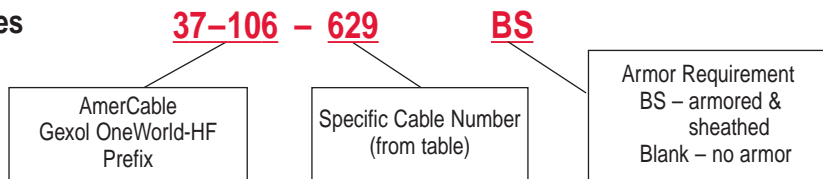
1.5 mm² Triads

Capacitance = 119 nF/km
Inductance = 0.69 mH/km
Max. DC Resistance @20°C = 13.7 ohms/km

Ordering Gexol OneWorld-HF Cables

Example:

- Instrumentation cable
- 250V(IEC), 0.6/1kV (IEEE)
- 1.0mm², 4 triad
- Bronze armored & sheathed



**OneWorld
Stranding
Profile**
See Page 4

37-106 Gexol® OneWorld-HF Flame Retardant Low Smoke Halogen-Free Multi-Core Control Cable

Extremely Flexible • 0.6/1kV • Rated 85/90°C

Conductor

Flexible Class 5 (metric) tinned copper per IEC 228.

Jacket

A low smoke halogen-free flame retardant polyolefin meeting IEEE 45/1580 Type TPO and IEC 60092-359 Type SHF-1. Meets a 35 lb/in. (6.4 N/mm) tear resistance.

Sheath (Optional)

A low smoke halogen-free flame retardant polyolefin meeting IEEE 45/1580 Type TPO and IEC 60092-359 Type SHF-1. Meets a 35 lb/in. (6.4 N/mm) tear resistance.



Insulation

Low smoke halogen-free cross-linked polyethylene meeting IEEE45/1580, IEC 60092-3 and IEC 60092-351

Color code:

White with printed black numbers.

Armor (Optional)

Basket weave wire armor per IEEE 45/1580 and IEC 60092-3 (for wire diameter). Bronze standard. Tinned copper available by request.

Application

The Gexol® OneWorld-HF oil & gas cable is designed and constructed for the demanding environments of offshore drilling and petroleum facilities located throughout the world.

Designed, tested and approved to meet BOTH IEC (International) and IEEE (North American) marine shipboard cable standards.

Can be used with EITHER IEC or NEMA designed electrical systems.

Features

- Meets IEC 60092-3, IEC 60092-353 AND IEEE 45/1580.
- Flame retardant: IEC 332-3 Category A/F and IEEE 1202.
- Inner jacket same as outer sheath.
- Low smoke: IEC 61034-2, MIL-C-24643A and NES 711.
- Acidity: IEC 754-2 and MIL-C-24643A.
- Halogen content: IEC 754-1 and MIL-C-24643A
- Toxicity index: NES 713.
- High strand count Class 5 (metric) conductors make this product more flexible and easier to install than standard IEC 60092-350 Series cables that use Class 2 conductors.
- Severe cold durability: exceeds CSA cold bend/cold impact (-40°C/-35°C).
- Suitable for use in Class 1, Division 1, and Zone 1 environments (armored and sheathed).

Ratings & Approvals

- 85/90°C Temperature Rating
- UL Classified In Accordance With IEEE Std. 1580
- American Bureau of Shipping (ABS) BT367739
- Transport Canada (pending)
- Det Norske Veritas (DNV) (pending)
- Lloyd's Register of Shipping (LRS) (pending)

Hawke Gland Types	Unarmored	Armored & Sheathed
Industrial & Safe Area (IP68)	121	153-X
Increased Safety "EExe"	501/421	501/453/U
Explosion Proof	710 Class 1, Div. 2 Class 1, Zone 2	753 Class 1, Div. 1 Class 1, Zone 1 & 2
Flameproof "EExd"	501/421 Zone 1 & 2	501/453/U (2 liter or < enclosures) ICG 653/U (2 liter or > enclosures) Zone 1 & 2

GEXOL® is a registered trademark of AmerCable Incorporated

Gexol® OneWorld-HF Flame Retardant Low Smoke Halogen-Free Multi-Core Control Cable

Extremely Flexible • 0.6/1kV • Rated 85/90°C

Flexible Control Cable – Multi-Core

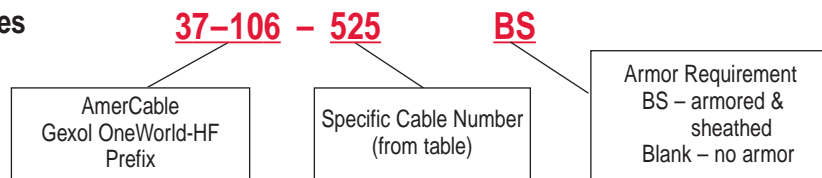
Size (mm ²)	No. of Cores	Part No. 37-106	Unarmored				Armored and Sheath (BS)				Current Rating 85°C Core 45°C Ambient
			Nominal Diameter (mm)	Nominal Diameter (inches)	Weight (kg/km)	Weight (lbs/1000ft)	Nominal Diameter (mm)	Nominal Diameter (inches)	Weight (kg/km)	Weight (lbs/1000ft)	
1.5	4	-401	10.7	0.420	155	104	15.3	0.601	358	240	14
1.5	5	-501	11.6	0.458	183	123	16.2	0.639	402	270	12
1.5	7	-513	12.6	0.498	229	154	17.2	0.679	457	307	10
1.5	8	-514	14.5	0.570	283	190	19.1	0.751	540	362	10
1.5	10	-515	16.8	0.663	348	234	22.5	0.886	695	466	9
1.5	16	-516	19.2	0.756	506	340	24.9	0.979	896	601	8
1.5	20	-517	22.3	0.879	667	448	28.0	1.102	1115	748	7
1.5	24	-518	24.7	0.971	783	525	30.3	1.194	1274	855	7
1.5	37	-519	28.0	1.104	1124	754	33.7	1.327	1678	1126	6
1.5	44	-520	31.4	1.237	1321	886	37.4	1.474	1943	1304	6
1.5	60	-521	34.8	1.370	1734	1164	40.8	1.607	2419	1623	5
1.5	91	-522	41.6	1.636	2534	1700	49.1	1.935	3509	2355	4
2.5	4	-402	12.0	0.473	212	142	16.6	0.654	438	294	20
2.5	5	-502	13.2	0.518	252	169	17.8	0.699	497	333	16
2.5	6	-523	15.1	0.596	313	210	19.7	0.777	580	389	15
2.5	10	-524	19.1	0.751	485	325	24.7	0.974	874	586	13
2.5	20	-525	25.3	0.995	933	626	30.9	1.218	1436	964	10
2.5	24	-526	28.0	1.103	1101	739	33.7	1.326	1655	1111	10
2.5	37	-527	32.0	1.258	1601	1074	38.0	1.495	2531	1698	8

- Cable diameters shown as nominal are subject to a ±5% manufacturing tolerance
- Current ratings based on IEC 60092-352

Ordering Gexol OneWorld-HF Cables

Example:

- Twenty core control cable
- 0.6/1kV
- 2.5mm²
- Bronze armored & sheathed



**OneWorld
Stranding
Profile**
See Page 4