

## Vinyl Strip Doors

- Helps to control noise, dust, fumes, and smoke
- Reduces lost time opening and closing doors
- Simple low cost design
- Shipped ready to install - just unroll and attach
- Easy to maintain
- Visual clarity provides efficiency without sacrificing safety
- Fire resistant material is self-extinguishing
- Minimizes drafts, reduces illnesses and accidents
- Provides two way simultaneous traffic in larger doors
- Reduces heating and cooling costs

### MODEL FORMAT

TG - **SERIES** - **OVERLAP** - **MOUNTING** - **WIDTH (")** - **HEIGHT (")**

**SERIES** "600" SERIES STRIPS ARE 6" WIDE x 0.06" THICK  
 "800" SERIES STRIPS ARE 8" WIDE x 0.08" THICK  
 "1200" SERIES STRIPS ARE 12" WIDE x 0.12" THICK  
 "1600" SERIES STRIPS ARE 16" WIDE x 0.16" THICK

**OVERLAP** "S" FOR STANDARD 2/3 OVERLAP  
 "F" FOR FULL OVERLAP

**MOUNTING** "H" FOR HEADER MOUNT (STANDARD)  
 "W" FOR WALL MOUNT (EXTRA COST)

**STANDARD MATERIAL  
 MEETS USDA  
 REQUIREMENTS**



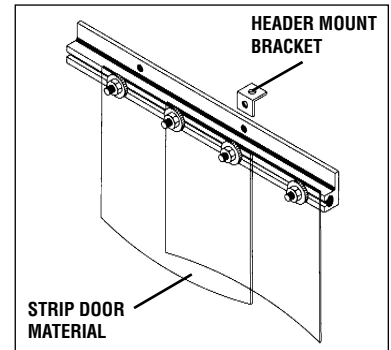
### STRIP DOOR OPTIONS

- H - HEADER MOUNT
- W - WALL MOUNT
- RIBBED MATERIAL (8" & 12")
- LOW TEMPERATURE MATERIAL (-50°F)
- BRONZE WELD SCREEN MATERIAL (8" & 12")
- ORANGE OPAQUE MATERIAL (6", 8", 12" & 16")

### STRIP DOOR NET WEIGHT FORMULA (IN FEET)

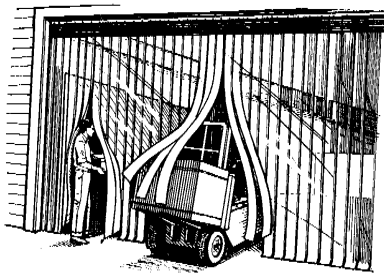
	MOUNTING		STRIPS
TG-600-S	(3.5 x WIDTH')	+	(0.75 x WIDTH' x HEIGHT')
TG-600-F	(3.5 x WIDTH')	+	(1.00 x WIDTH' x HEIGHT')
TG-800-S	(3.5 x WIDTH')	+	(1.00 x WIDTH' x HEIGHT')
TG-800-F	(3.5 x WIDTH')	+	(1.25 x WIDTH' x HEIGHT')
TG-1200-S	(3.5 x WIDTH')	+	(1.30 x WIDTH' x HEIGHT')
TG-1200-F	(3.5 x WIDTH')	+	(1.60 x WIDTH' x HEIGHT')
TG-1600-S	(3.5 x WIDTH')	+	(1.75 x WIDTH' x HEIGHT')
TG-1600-F	(3.5 x WIDTH')	+	(2.15 x WIDTH' x HEIGHT')

NOTE: WIDTH AND HEIGHT IS SIZE OF DOOR OPENING IN FEET



**PRE-ASSEMBLED STRIP DOORS**  
 ALL DOORS ARE SHIPPED  
 PRE-ASSEMBLED AND READY  
 FOR INSTALLATION. INSTALLATION  
 HARDWARE NOT INCLUDED.

**LOADING DOCK EQUIPMENT**



STANDARD 2/3 OVERLAP



FULL OVERLAP

**NOTE: STRIP DOORS  
 ARE CUT TO SIZE, THEREFORE THEY ARE NON-RETURNABLE**