

PBC Forged Brass Case Gauge (psi only)



Description & Features:

- One piece forged brass case dry gauge, designed for severe service conditions
- Easy-to-read single scale psi dial
- 5 year warranty

Applications:

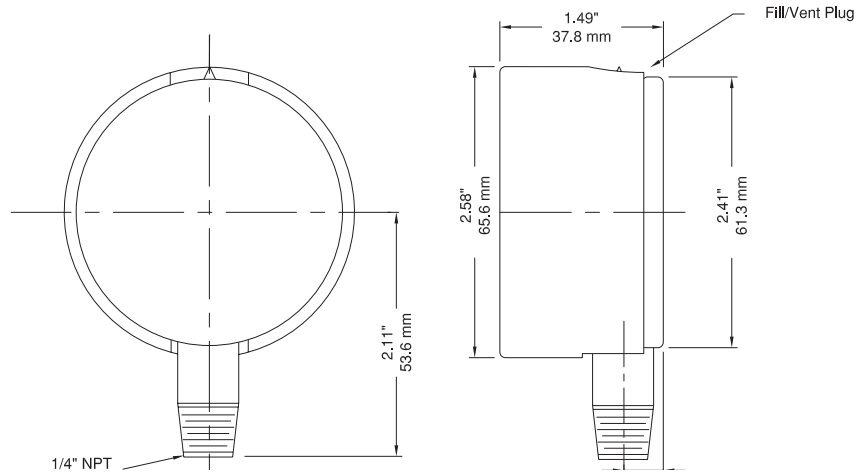
- Industrial and hydraulic systems

Specifications	
Dial	2.5" (63mm), 4" (100mm)
Case	Forged brass, rugged
Lens	Polycarbonate
Ring	2.5" (63mm): Gold-coloured ABS 4" (100mm): Polished Brass
Socket	Brass
Pointer	Aluminum, anodized black
Connection	2.5"(63mm): 1/4" NPT bottom or back 4" (100mm): 1/4" or 1/2" NPT bottom
Wetted Parts	Brass
Ambient/Process Temperature	-40°F to 150°F (-40°C to 65°C)
Accuracy	2.5" (63mm): ±1.5% of full scale 4"(100mm): ±1% ANSI/ASME Grade 1A
Enclosure Rating	IP65

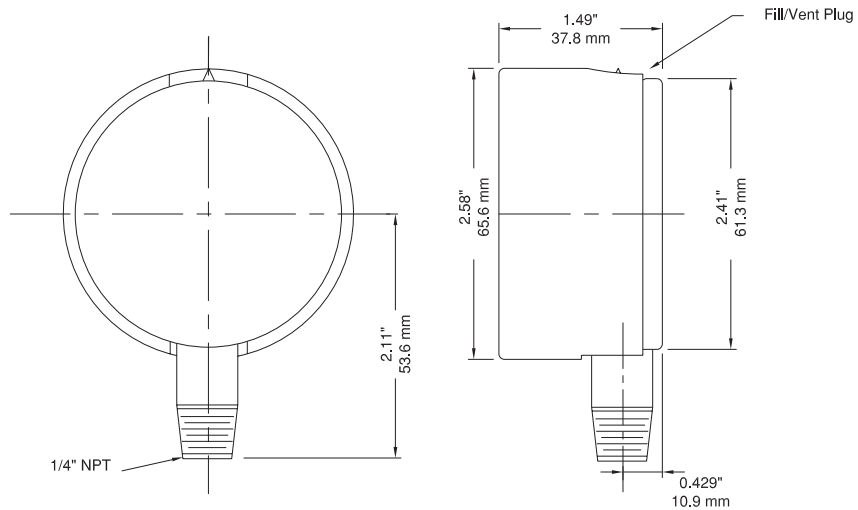
Order Codes (products in bold are normally in stock)

Dial Size Connection	2.5" (63mm)		4" (100mm)	
	1/4" NPT Bottom	1/4" NPT Back (CB)	1/4" NPT Bottom	1/2" NPT Bottom
30" Hg Vacuum	PBC801R1	PBC900R1	PBC700R1	PBC1234R1
30"-0-15 psi	PBC790R1	PBC890R1	PBC701R1	PBC1235R1
30"-0-30 psi	PBC798R1	PBC898R1	PBC702R1	PBC1236R1
30"-0-60 psi	PBC799R1	PBC899R1	PBC703R1	PBC1237R1
30"-0-100 psi	PBC791R1	PBC891R1	PBC704R1	PBC1238R1
30"-0-160 psi	PBC792R1	PBC892R1	PBC705R1	PBC1239R1
30"-0-200 psi	PBC794R1	PBC894R1	PBC706R1	PBC1240R1
30"-0-300 psi	PBC795R1	PBC895R1	PBC707R1	PBC1241R1
0-15 psi	PBC800R1	PBC901R1	PBC708R1	PBC1242R1
0-30 psi	PBC802R1	PBC902R1	PBC709R1	PBC1243R1
0-60 psi	PBC803R1	PBC903R1	PBC710R1	PBC1244R1
0-100 psi	PBC804R1	PBC904R1	PBC711R1	PBC1245R1
0-160 psi	PBC805R1	PBC905R1	PBC712R1	PBC1246R1
0-200 psi	PBC806R1	PBC906R1	PBC713R1	PBC1247R1
0-300 psi	PBC807R1	PBC907R1	PBC714R1	PBC1248R1
0-400 psi	PBC817R1	PBC917R1	PBC715R1	PBC1249R1
0-600 psi	PBC808R1	PBC908R1	PBC716R1	PBC1250R1
0-1,000 psi	PBC809R1	PBC909R1	PBC724R1	PBC717R1
0-1,500 psi	PBC816R1	PBC914R1	PBC725R1	PBC718R1
0-2,000 psi	PBC810R1	PBC910R1	PBC726R1	PBC719R1
0-3,000 psi	PBC811R1	PBC911R1	PBC727R1	PBC720R1
0-5,000 psi	PBC812R1	PBC912R1	PBC728R1	PBC721R1
0-6,000 psi	PBC814R1	PBC915R1	PBC024R1	PBC784R1
0-10,000 psi	PBC813R1	PBC913R1	PBC729R1	PBC722R1

2.5" Forged Brass Case Dry Gauge, Back Connection



2.5" Forged Brass Case Dry Gauge, Bottom Connection



4" Forged Brass Case Dry Gauge, Bottom Connection

