



### Description & Features:

- Widely specified in the industrial and commercial plumbing trade
- Includes a separable thermowell
- 3.5" (90mm) and 6" (160mm) stem
- Available in aluminum or Valox® (9") case
- Organic filled tube (non-mercury)
- Dual scale (°F & °C)
- Vari-angle connection and 360 degree case rotation for easy installation
- Graphite filled bulb chamber for maximum heat conduction
- ±1% accuracy
- 1 year warranty

### Applications:

- New construction, plumbing, water lines, boilers, heating, ventilation and air conditioning

Specifications	
Dial	9" (230mm) aluminum or Valox® case, impact resistant
Lens	Glass
Connection	3/4" NPT with thermowell 1 1/4" - 18 UNEF swivel nut (no thermowell)
Scales	Aluminum painted white with black markings
Bulb Chamber	Tapered cast aluminum with graphite fill
Liquid Filling	Organic liquid filled tube
Adjustment	Fully adjustable
Thermowell	3/4" brass separable socket (Other thermowells available)
Accuracy	±1%
Enclosure Rating	IP54

Note: For an Industrial 9IT Thermowell, please refer to the Industrial 9IT Thermowell product page  
Valox® is a registered trademark of the General Electric Company

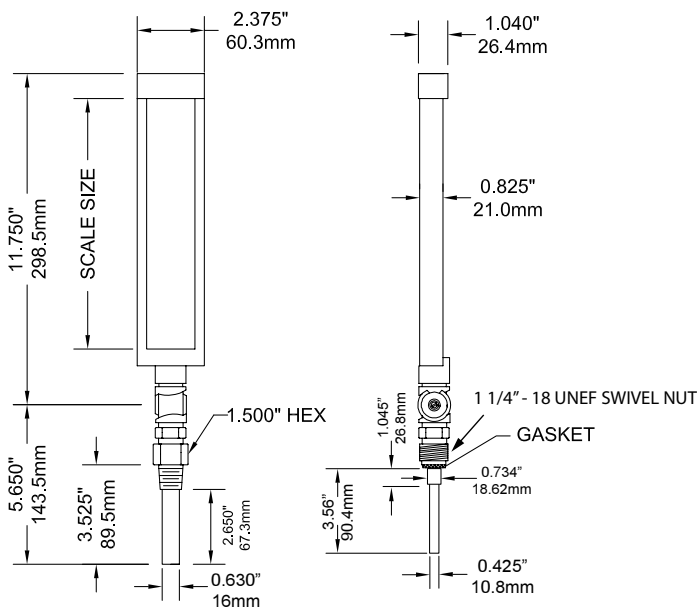
Order Codes (products in bold are normally in stock)

Stem	Aluminum Case		Valox® Case	
	3.5" (75mm)	6" (150mm)	3.5" (75mm)	6" (150mm)
-40°F to 110°F & -40°C to 40°C	<b>TIM101A</b>	<b>TIM101-6A</b>	<b>TIM101</b>	TIM101-6
0°F to 120°F & -15°C to 50°C	<b>TIM102A</b>	<b>TIM102-6A</b>	<b>TIM102</b>	<b>TIM102-6</b>
0°F to 160°F & -15°C to 70°C	<b>TIM103A</b>	TIM103-6A	<b>TIM103</b>	TIM103-6
30°F to 180°F & 0°C to 80°C	<b>TIM104A</b>	<b>TIM104-6A</b>	<b>TIM104</b>	TIM104-6
30°F to 240°F & 0°C to 115°C	<b>TIM100A</b>	<b>TIM100-6A</b>	<b>TIM100</b>	<b>TIM100-6</b>
30°F to 300°F & 0°C to 150°C	<b>TIM105A</b>	TIM105-6A	<b>TIM105</b>	TIM105-6

Note: Duct flange available upon request  
 Union connection available upon request  
 Other ranges and connection sizes available upon request  
 Valox® is a registered trademark of General Electric Co.

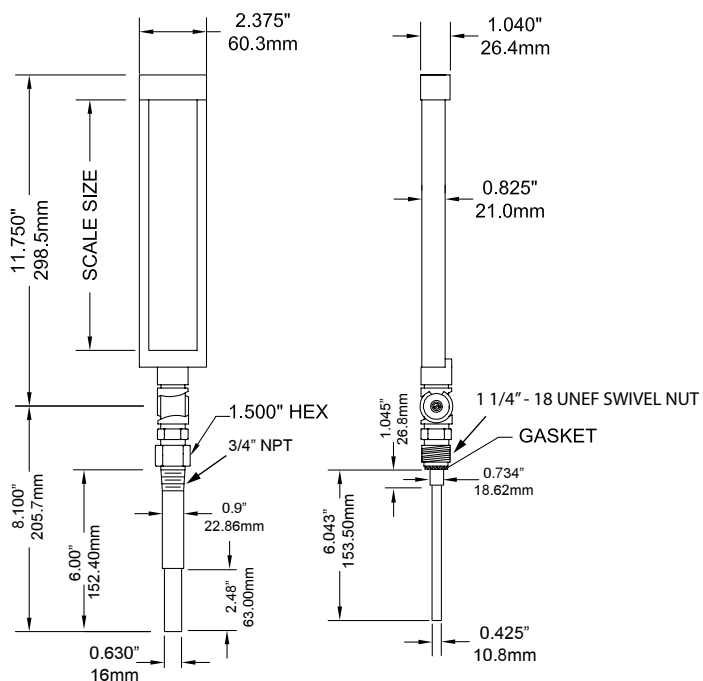
### 3.5" Stem

### 6" Stem



With Socket

Without Socket



With Socket

Without Socket