



Description & Features:

- Can be used on applications requiring a NACE compliant MR0103-2003 diaphragm seal
- CRN registered available upon request
- 1 year warranty

Applications:

- Sour gas applications requiring instrumentation that meet NACE International Standards

Specifications	
Housing	Hastelloy® C
Diaphragm	Hastelloy® C, welded
Construction	Two piece construction
Connection	Top: 1/4" and 1/2" NPT Bottom: 1/4", 1/2", 3/4" and 1" NPT
Process Temperature	-22°F to 212°F (-30°C to 100°C). Higher temperature ranges are available upon request
Other	Flushing connections available. Other materials available upon request.

Order Codes

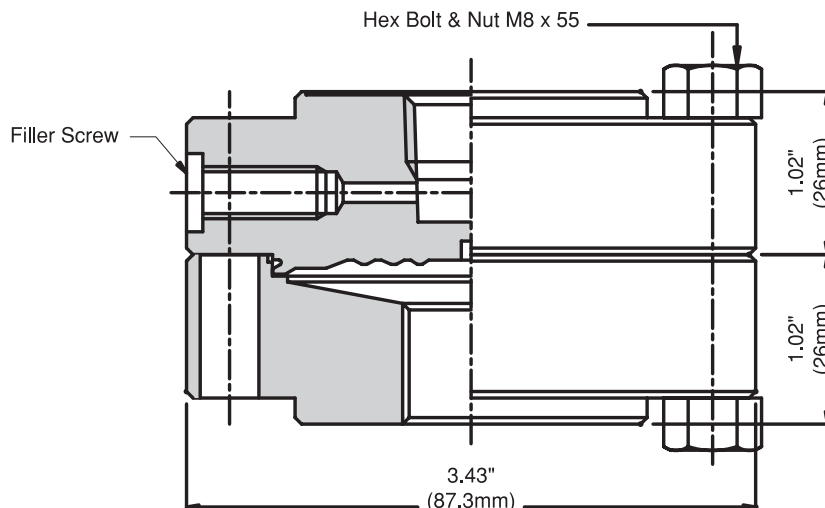
Upper Housing (Top)		
Hast. C, 1/4" NPT conn., Hastelloy® C diaphragm		D71966HASC75
Hast. C, 1/2" NPT conn., Hastelloy® C diaphragm		D71967HASC75
Lower Housing (Bottom)		
Hastelloy® C, 1/4" NPT conn.		D71954HASC75
Hastelloy® C, 1/2" NPT conn.		D71956HASC75
Hastelloy® C, 1/2" NPT conn. with flushing		D71957HASC75
Hastelloy® C, 3/4" NPT conn. with flushing		D71959HASC75
Hastelloy® C, 3/4" NPT conn.		D71963HASC75
Hastelloy® C, 1" NPT conn.		D71964HASC75
Hastelloy® C, 1" NPT conn. with flushing		D71965HASC75

Option suffix for above order codes only:

SF-D = Silicone fill (seal only)

FL-D = Fluorolube fill (seal only)

Other fill fluids (seal only) available upon request



Hastelloy® is a registered trademark of Haynes International, Inc.