

- 1. Optional U-Clamp
- 2. Optional Front Flange
- 3. Optional Back Flange

Description & Features:

- Dry stainless steel case
- Psi only scale
- Back, bottom, or panel mounted
- Stainless steel or brass wetted parts
- No restrictor screw standard
- CRN registered
- 5 year warranty

Applications:

- Outdoor and severe ambient and process conditions
- Hydraulic equipment, pressure washers, oil field equipment, pumps, compressors and process systems

Specifications	
Dial	2.5" (63mm), 4" (100mm) white aluminum with black and red markings
Case	AISI 304 SS (dry)
Lens	Polycarbonate
Ring	AISI 304 SS
Socket	316L SS
Connection	1/4" NPT or 1/2" NPT standard 2.5" (63mm) dial: 1/4" NPT standard only
Bourdon Tube	316L SS, drawn seamless
Movement	304 SS Over/under stops for 4" (100mm) dial only
Pointer	2.5" (63mm): Aluminum, anodized black 4" (100mm): Aluminum, anodized black, micrometer adjustable
Welding	TIG
Over-Pressure Limit	30% for pressures up to 600 psi (4,147 kPa), 15% for pressures over 600 psi (4,147 kPa)
Gasket Material	2.5" (63mm): Buna N for case and block seal, Monoprene for lens seal 4" (100mm): EPDM
Working Pressure	Maximum 75% of full scale value
Ambient/Process Temperature	-40°F to 150°F (-40°C to 65°C)
Accuracy	2.5" (63mm): ±1.5% of full scale 4" (100mm): ±1% ANSI/ASME Grade 1A
Enclosure Rating	IP66 per UEC 529, UNI 8896

Premium Stainless Steel Gauge (psi only)

PFO

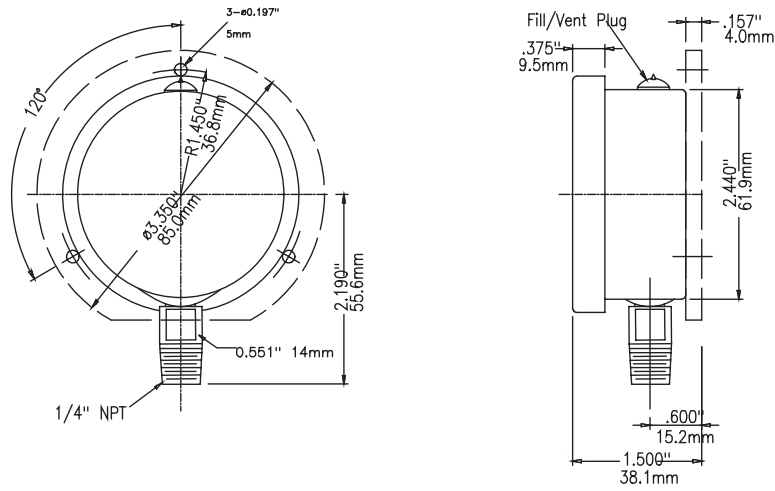
Order Codes (products in bold are normally in stock)

Dial Size	2.5 (63mm)		4" (100mm)			
Connection	1/4" Bottom	1/4" Back (CB)	1/4" Bottom	1/2" Bottom	1/4" Back (LB)	1/2" Back (LB)
Movement Socket, Tube	SS	SS	SS	SS	SS	SS
30" Hg Vacuum	PFO820R1	PFO840R1	PFO640R1	PFO655R1	PFO1090R1	-
30"-0-15 psi	PFO860R1	PFO870R1	PFO1036R1	PFO1044R1	PFO1244R1	-
30"-0-30 psi	PFO861R1	PFO871R1	PFO1037R1	PFO1045R1	PFO1245R1	-
30"-0-60 psi	PFO862R1	PFO872R1	PFO1038R1	PFO1046R1	PFO1246R1	-
30"-0-100 psi	PFO863R1	PFO873R1	PFO1039R1	PFO1047R1	PFO1247R1	-
30"-0-150 psi	PFO864R1	PFO874R1	PFO1040R1	PFO1048R1	PFO1248R1	-
30"-0-200 psi	PFO866R1	PFO876R1	PFO1042R1	PFO1050R1	PFO1249R1	-
30"-0-300 psi	PFO867R1	PFO877R1	PFO1043R1	PFO1051R1	PFO1250R1	-
0-15 psi	PFO821R1	PFO921R1	PFO641R1	PFO656R1	PFO1091R1	-
0-30 psi	PFO822R1	PFO922R1	PFO642R1	PFO657R1	PFO1092R1	-
0-60 psi	PFO823R1	PFO923R1	PFO643R1	PFO658R1	PFO1093R1	-
0-100 psi	PFO824R1	PFO924R1	PFO644R1	PFO659R1	PFO1094R1	-
0-160 psi	PFO825R1	PFO925R1	PFO645R1	PFO660R1	PFO1095R1	-
0-200 psi	PFO826R1	PFO926R1	PFO646R1	PFO661R1	PFO1096R1	-
0-300 psi	PFO827R1	PFO927R1	PFO647R1	PFO662R1	PFO1097R1	-
0-400 psi	PFO880R1	PFO881R1	PFO650R1	PFO666R1	PFO1251R1	-
0-600 psi	PFO828R1	PFO928R1	PFO648R1	PFO663R1	PFO1098R1	-
0-1,000 psi	PFO829R1	PFO929R1	PFO649R1	PFO664R1	PFO1099R1	-
0-1,500 psi	PFO834R1	PFO934R1	-	PFO665R1	PFO1252R1	PFO1190R1
0-2,000 psi	PFO830R1	PFO930R1	-	PFO667R1	PFO1253R1	PFO1191R1
0-3,000 psi	PFO831R1	PFO931R1	-	PFO668R1	PFO1254R1	PFO1192R1
0-5,000 psi	PFO832R1	PFO852R1	-	PFO669R1	PFO1255R1	PFO1193R1
0-6,000 psi	PFO836R1	PFO851R1	-	PFO675R1	PFO1259R1	PFO1197R1
0-10,000 psi	PFO833R1	PFO853R1	-	PFO670R1	PFO1256R1	PFO1194R1
0-15,000 psi	PFO835R1	PFO855R1	-	PFO671R1	PFO1257R1	PFO1195R1
0-20,000 psi	-	-	-	PFO672R1	PFO1258R1	PFO1196R1

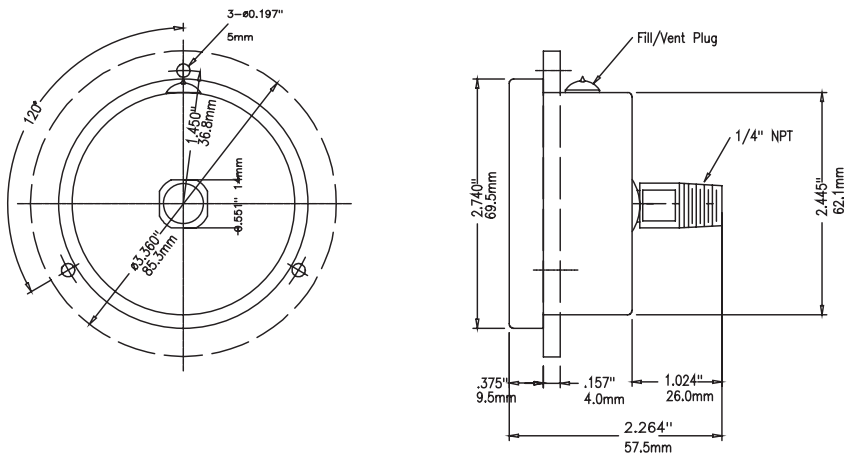
Option suffix for above order codes only:

25UC = 2.5" (63mm) U-Clamp	4UC-P = 4" (100mm) Premium U-Clamp	SF25 = Silicone Filled for 2.5"
25FF = 2.5" (63mm) Front Flange	4FF = 4" (100mm) Front Flange	SF4 = Silicone Filled for 4"
25BF = 2.5" (63mm) Back Flange	4BF = 4" (100mm) Back Flange	SG-25 = Safety Glass 2.5"
2.5 BOOT = 2.5" (63mm) black rubber boot	SG-4 = Safety Glass Lens 4"	316 SS Case and Mountable Bezel
	Other ranges and connection sizes available upon request	

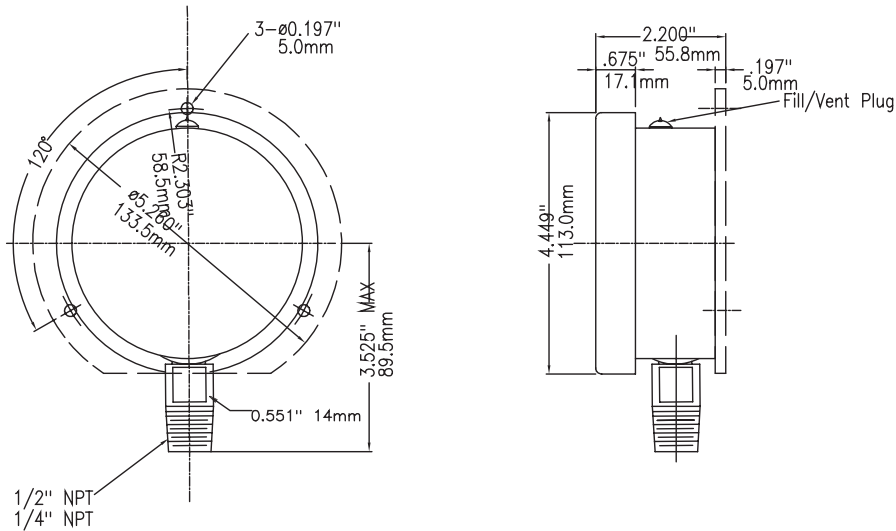
2.5" Bottom Connection with optional Back Flange



2.5" Back Connection with optional Front Flange



4" Bottom Connection, Back Flange Option



Series Number (for custom, non-standard product)

	P	F	O															
SERIES																		
DIAL SIZE																		
2.5" (63mm)					2	5												
4.0" (100mm)					4	0												
CASE MATERIALS																		
304SS																		
																		T
WETTED PARTS																		
316SS																		
Monel																		S
Special																		M
																		Z
CONFIGURATION																		
Bottom Connection, Stem Mounting																		
																		A
Bottom Connection, Back Flange, Surface Mounting																		
																		B
Bottom Connection, Front Flange, Surface Mounting																		
																		C
Back Connection, Stem Mounting																		
																		D
Back Connection, Back Flange, Surface Mounting																		
																		E
Back Connection, Wide Front Flange, (Drilled) Panel Mounting																		
																		F
Back Connection, Narrow Front Ring, Panel Mounting (Yoke)																		
																		V
Special																		Z
CONNECTION SIZE																		
1/8"																		
																		8
1/4"																		
																		4
1/2"																		
																		2
Special																		Z
THREAD																		
NPT																		
																		N
BSP (G)																		
																		B
BSPT (R)																		
																		T
M14 x 1.5																		
																		F
M20 x 1.5																		
																		M
Special																		Z
PRIMARY SCALE																		
UNITS - See Page 13																		
RANGE - See Page 13																		
SECONDARY SCALE																		
UNITS - See Page 13																		
OPTIONS																		
Black Rubber Boot																		
																		S
Fluorolube Filled																		
																		R
Glycerin Filled																		
																		E
Halocarbon Filled																		
																		Q
Maximum Adjustable Pointer																		
																		J
Monel Socket and Tube																		
																		W
NACE-MR0175-2002																		
																		5
Oxygen Cleaning																		
																		L
Silicone Filled																		
																		D
Safety Glass																		
																		A
Stainless Steel Tag Plate																		
																		M
StabiliZR™ Movement																		
																		3
Test Certificate																		
																		O
U-Clamp																		
																		H
Back Flange + U-Clamp																		
																		D
Back Flange + Solid Front Safety Case																		
																		N
Back Flange + Black Rubber Boot																		
																		P
Front Flange + U-Clamp																		
																		H
Glycerin Filled + Safety Glass																		
																		K
Safety Glass + Front Flange																		
																		A
Safety Glass + Back Flange																		
																		B
Silicone Filled + Safety Glass																		
																		L
Safety Glass + Monel Socket and Tube																		
																		O
Safety Glass + Maximum Adjustable Pointer																		
																		Q
Safety Glass + Glycerin Filled + Front Flange																		
																		A
Safety Glass + Silicone Filled + Back Flange																		
																		B
No Options																		
																		X
																		X