



Description & Features:

- Provides an economical and accurate method to measuring the temperature on a flat metallic surface
- 2" (50mm) dial
- Dual scale (°F & °C)
- 3 ranges available
- Easy to install
- 1 year warranty

Applications:

- Ductwork or motor housings

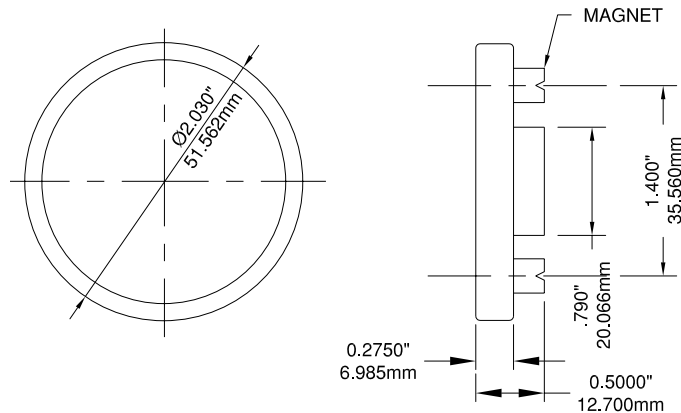
Specifications

Dial	2" (50mm) aluminum with black and red markings
Case	Steel, painted black
Lens	Glass
Movement	Bi-metallic coil
Pointer	Aluminum, painted black
Ambient/Process Temperature	Recommended maximum 75% of full scale value
Accuracy	±2% of full scale
Enclosure Rating	IP52

Order Codes (products in bold are normally in stock)

Range	Code
0°F to 250°F & -20°C to 120°C	TMT7412
0°F to 500°F & -15°C to 260°C	TMT7410
50°F to 750°F & 10°C to 400°C	TMT7409

Note: Other ranges available upon request



TNC Non-Contact Thermometer



Description & Features:

- A portable "point and shoot" thermometer that measures remote surface temperatures
- Digital readout (°F or °C)
- Single hand operated
- Uses less than 1 milliwatt of power
- Auto power off feature to conserve battery
- 9 volt battery powered
- Fast response time (0.25 seconds)
- 1 year warranty

Applications:

- To measure remote surface temperatures on bearings, electrical panels, assembly line machines, pumps and concrete construction

Specifications

Housing	ABS
Dimensions	5.8" (h) x 4.1" (w) x 1.68" (d) (148mm x 105mm x 42mm)
Temp. Range	-22°F to 1022°F (-30°C to 550°C)
Accuracy	±2%
Response Time	0.25 seconds
Field of View	10:1 with laser mark
Sensor Thermopile	6-14μm
Fixed Emissivity (E)	0.95
Laser Classification	Class 2
Auto Power Off	10 seconds
Battery	9 Volt

Order Codes (products in bold are normally in stock)

Description	Code
With Laser -22°F to 1,022°F (-30°C to 550°C)	TNC150

