



Description & Features:

- A combination pressure gauge and diaphragm seal forming one unique instrument that measures low pressures where protection from the process media is required
- Bottom connection only
- All stainless steel construction
- A variety of materials available
- 5 year warranty

Applications:

- Used for low pressure corrosive media where diaphragm seal protection is needed
- Process where low or high temperature will affect seal fill fluid

Specifications	
Dial	4" (100mm), 6" (150mm) white aluminum with black markings
Case	304L SS
Upper Flange	SS (neck and base movements)
Lower Flange	316L SS bottom connection
Lens	Acrylic
Connection	¼" or ½" NPT
Diaphragm Element	316 SS, 316 SSI PTFE lined, or Tantalum
Movement	All SS - Push rod / connecting link and segment
Pointer	Adjustable pointer - aluminum
Wetted Parts	316 SS
Ambient Temperature	-13°F to 150°F (-25°C to 65°C)
Process Temperature	212°F (100°C)
Accuracy	±1.5% of full scale
Enclosure Rating	IP54

Order Codes

Dial Size	4" (100mm)		4" (100mm)		6" (150mm)	
	1/4" NPT Bottom	1/2" NPT Bottom	1/4" NPT Bottom	1/2" NPT Bottom	1/4" NPT Bottom	1/2" NPT Bottom
0-10" water/oz	PSG4010	PSG40105	-	-	PSG6010	PSG60105
0-30" water/oz	PSG4030	PSG40305	-	-	PSG6030	PSG60305
0-60" water/oz	PSG4060	PSG40605	-	-	PSG6060	PSG60605
0-100" water/oz	PSG40100	PSG401005	-	-	PSG60100	PSG601005
0-160" water/oz	PSG40160	PSG401605	-	-	PSG60160	PSG601605
0-200" water/oz	PSG40200	PSG402005	-	-	PSG60200	PSG602005
0-300" water/oz	PSG40300	PSG403005	-	-	PSG60300	PSG603005
0-10 psi/kPa	PSG410	PSG4105	-	-	PSG610	PSG6105
0-15 psi/kPa	PSG415	PSG4155	-	-	PSG615	PSG6155
0-30 psi/kPa	PSG430	PSG4305	-	-	PSG630	PSG6305
0-60 psi/kPa	PSG460	PSG4605	-	-	PSG660	PSG6605
0-100 psi/kPa	PSG4100	PSG41005	PSG4100T	PSG41005T	PSG6100	PSG61005
0-160 psi/kPa	PSG4160	PSG41605	-	-	PSG6160	PSG61605
0-200 psi/kPa	PSG4200	PSG42005	PSG4200T	PSG42005T	PSG6200	PSG62005
0-300 psi/kPa	PSG4300	PSG43005	PSG4300T	PSG43005T	PSG6300	PSG63005

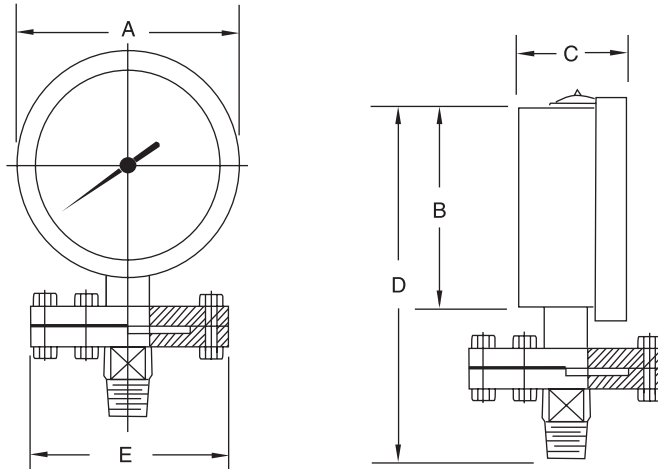
Option suffix for above order codes only:

SG-4 = 4" Safety glass dial

SG-6 = 6" Safety glass

T = Denotes Tantalum Diaphragm

Other materials, ranges, vacuum ranges, connections are available upon request



For pressure ranges greater than 0-10 psi/kPa

Case Dia.	Flange Dia.	A	B	C	D	E
4" 100 mm	4" 100 mm	4.43" 112	3.90" 99	2.16" 55	6.99" 177	3.86" 98
6" 150 mm	4" 100 mm	6.10" 155	5.51" 140	2.20" 56	6.99" 177	3.86" 98

For pressure ranges less than and equal to 10 psi/kPa

Case Dia.	Flange Dia.	A	B	C	D	E
4" 100 mm	6" 150 mm	4.43" 112	3.90" 99	2.16" 55	6.99" 177	6.10" 155
6" 150 mm	6" 150 mm	6.10" 155	5.51" 140	2.20" 56	6.99" 177	6.10" 155