



### Description & Features:

- One piece forged brass case gauge, designed for severe service conditions
- Dual scale dial
- Restrictor screw standard
- Glycerin filled standard
- 5 year warranty

### Applications:

- Industrial and hydraulic systems

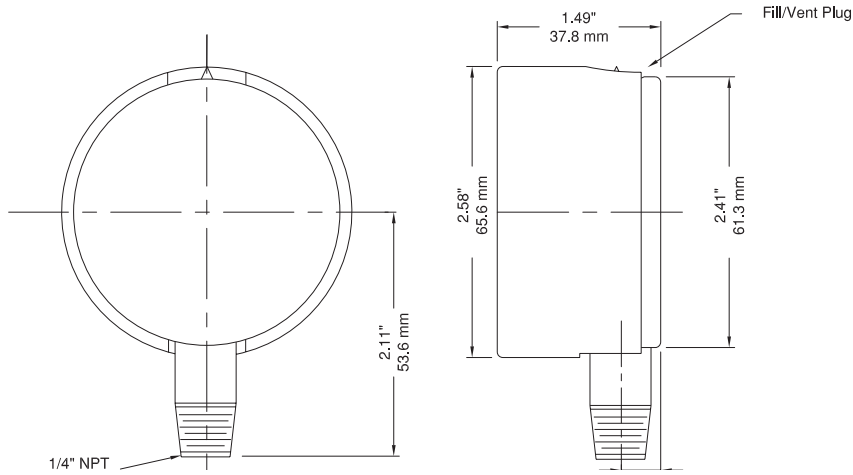
Specifications	
Dial	2.5" (63mm), 4" (100mm)
Case	Forged brass, rugged
Lens	Polycarbonate
Ring	2.5" (63mm): Gold-coloured ABS 4" (100mm): Polished Brass
Socket	Brass
Pointer	Aluminum, anodized black
Connection	2.5"(63mm): 1/4" NPT bottom or back 4" (100mm): 1/4" or 1/2" NPT bottom
Wetted Parts	Brass
Fill Fluid	Glycerin
Ambient/Process Temperature	-4°F to 150°F (-20°C to 65°C)
Accuracy	2.5" (63mm): ±1.5% of full scale 4"(100mm): ±1% ANSI/ASME Grade 1A
Enclosure Rating	IP65

### Order Codes (products in bold are normally in stock)

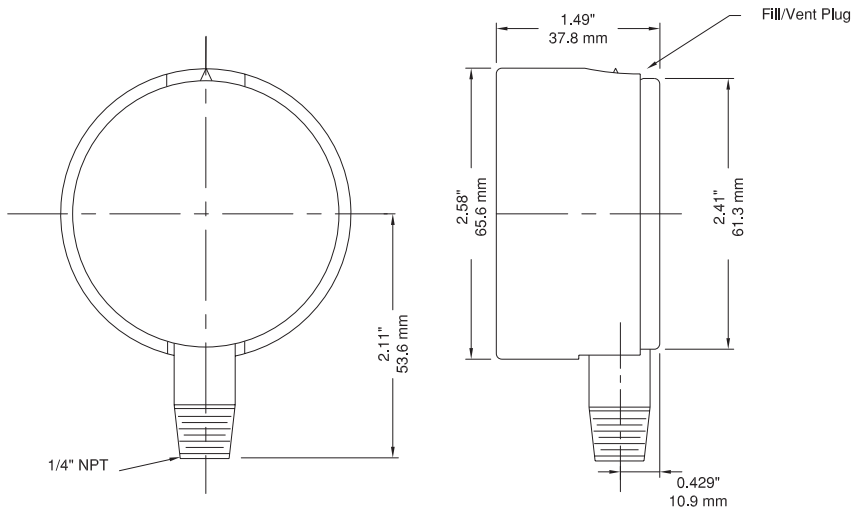
Dial Size	2.5" (63mm)		4" (100mm)	
	1/4" NPT Bottom	1/4" NPT Back (CB)	1/4" NPT Bottom	1/2" NPT Bottom
30" Hg Vacuum/kPa	PBD801	PBD900	PBD700	PBD1234
30"-0-15 psi/kPa	PBD790	PBD890	PBD701	PBD1235
30"-0-30 psi/kPa	PBD798	PBD898	PBD702	PBD1236
30"-0-60 psi/kPa	PBD799	PBD899	PBD703	PBD1237
30"-0-100 psi/kPa	PBD791	PBD891	PBD704	PBD1238
30"-0-160 psi/kPa	PBD792	PBD892	PBD705	PBD1239
30"-0-200 psi/kPa	PBD794	PBD894	PBD706	PBD1240
30"-0-300 psi/kPa	PBD795	PBD895	PBD707	PBD1241
0-15 psi/kPa	PBD800	PBD901	PBD708	PBD1242
0-30 psi/kPa	PBD802	PBD902	PBD709	PBD1243
0-60 psi/kPa	PBD803	<b>PBD903</b>	PBD710	PBD1244
0-100 psi/kPa	<b>PBD804</b>	<b>PBD904</b>	PBD711	PBD1245
0-160 psi/kPa	PBD805	PBD905	PBD712	PBD1246
0-200 psi/kPa	PBD806	PBD906	PBD713	PBD1247
0-300 psi/kPa	PBD807	PBD907	PBD714	PBD1248
0-400 psi/kPa	PBD817	PBD917	PBD715	PBD1249
0-600 psi/kPa	<b>PBD808</b>	PBD908	PBD716	PBD1250
0-1,000 psi/kPa	PBD809	PBD909	PBD724	PBD717
0-1,500 psi/kPa	PBD816	PBD914	PBD725	PBD718
0-2,000 psi/kPa	PBD810	PBD910	PBD726	PBD719
0-3,000 psi/kPa	PBD811	<b>PBD911</b>	PBD727	PBD720
0-5,000 psi/kPa	<b>PBD812</b>	PBD912	PBD728	PBD721
0-6,000 psi/kPa	PBD814	PBD915	PBD024	PBD784
0-10,000 psi/kPa	PBD813	PBD913	PBD729	PBD722

# PBD Forged Brass Case Gauge

## 2.5" Forged Brass LF Gauge, Back Connection



## 2.5" Forged Brass LF Gauge, Bottom Connection



## 4" Forged Brass LF Gauge, Bottom Connection

