

Solar Digital Thermometer with Integral RTD or Transmitter

TLS



Description & Features:

- Provides local and remote temperature readings
- 304 stainless steel case, stem and socket
- Hermetically sealed thermometer case
- 1/2" adjustable angle connection
- 4" (100mm), 6" (150mm) and 9" (230mm) stem lengths
- Digital 4-20 mA output
- 1 year warranty

Applications:

- Industrial processes, compressors, pulp and paper, food processing and wastewater

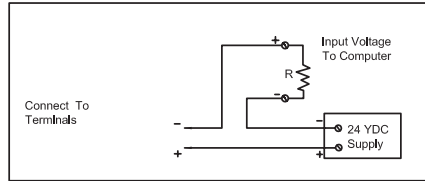
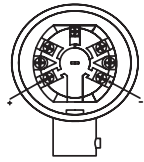
Specifications	
Dial	3" (75mm)
Case	AISI 304 SS
Lens	Glass
Ring	AISI 304 SS
Connection	1/2" NPT, fully adjustable
Welding	TIG
Power Supply	Solar panel with lithium battery backup
Transmitter/Head	4-20mA with SS head
Element	PT100, 2 wire lead
Ambient Temperature	-58°F to 140°F (-50°C to 60°C)
Process Temperature	-58°F to 302°F or (-50°C to 150°C)
Read Interval	Every 6 seconds
Accuracy	±1%
Enclosure Rating	IP50

Order Codes

Stem Length	Fully Adjustable	
	-50°F to 320°F	-50°C to 160°C
4" (100mm)	TLS001	TLS004
6" (150mm)	TLS002	TLS005
9" (225mm)	TLS003	TLS006

Option suffix for above order codes only:

A005 = Aluminum head
Other stem lengths available

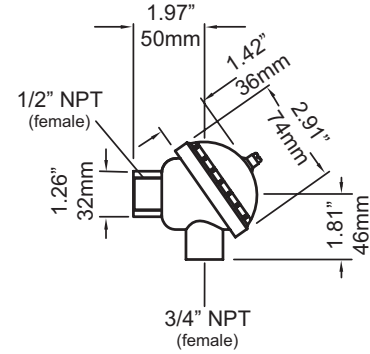


For R=250ohm

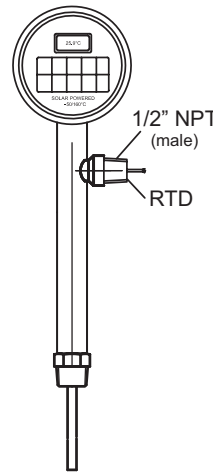
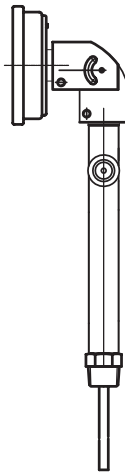
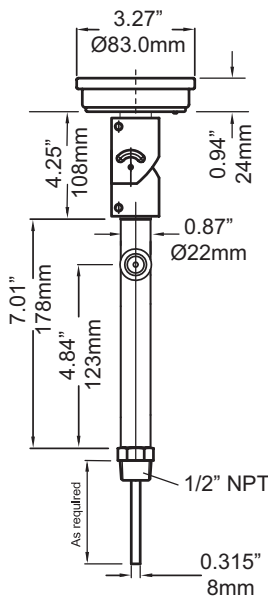
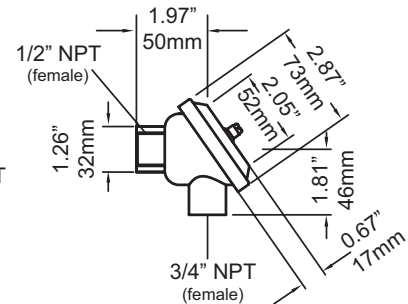
I (mA)	°F	°C
4	-50	-50
20	+320	+160

Accuracy: +/-1% of full scale

Aluminum Head



Stainless Steel Head



Series Number



- SERIES**
- HEAD MATERIAL**
- Aluminum
- Stainless steel
- STEM LENGTH**
- 4" (minimum)
- 5"
- 6"
- Others
- THREAD SIZE**
- 3/8"
- 1/2"
- Special
- THREAD TYPE**
- NPT
- BSP
- BSPT
- M20 X 1.5

A
B

0 4 0
0 5 0
0 6 0
X X X

3
2
Z

N
B
T
M