



Description & Features:

- On steam service, the syphon will prevent hot steam from entering a pressure gauge, diaphragm seal or transmitter
- Available in steel for non-corrosive applications and stainless steel for corrosive applications
- CRN registered
- 1 year warranty

Applications:

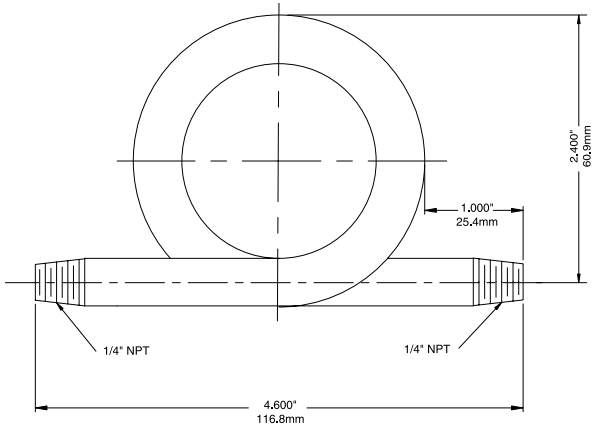
- Recommended for applications involving temperatures above 100°F (37°C)

Specifications	
Material	Schedule 40 steel coil (welded), Schedule 80 (seamless), Schedule 40 or 80 304 SS (seamless)
Style	180 degree coil
Connection	1/4" NPT male x 1/4" NPT male or 1/2" NPT male x 1/2" NPT male
Maximum Operating Pressure	1/4" NPT, schedule 40 welded: Suitable for 175 psi at 340°F (171°C) 1/4" or 1/2" NPT, schedule 40: Any seamless material is good for a working pressure of 500 psi at 680°F (360°C) 1/4" or 1/2" NPT, schedule 80: Any seamless material is good for a working pressure of 1,650 psi at 630°F (332°C) 1/2" NPT, double extra schedule: Any seamless material is good for a working pressure of 3,200 psi at 1,100°F (548°C)

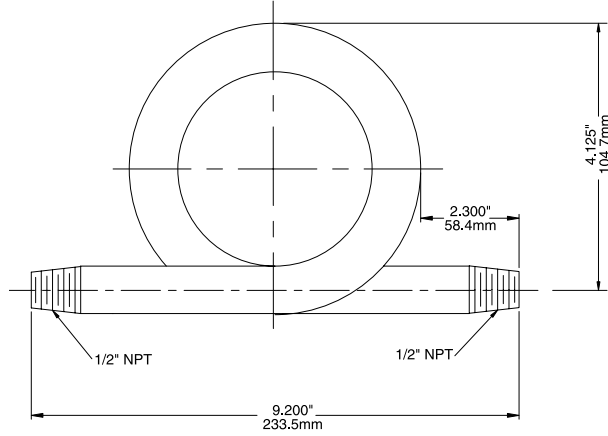
Order Codes (products in bold are normally in stock)

Material	Connection	Code
Sched. 40 Brass	1/4" NPT	SSP545
Sched. 40 Brass	1/2" NPT	SSP559
Sched. 40 Steel (welded)	1/4" NPT	SSP525
Sched. 40 Steel	1/2" NPT	SSP555
Sched. 40 304 SS	1/4" NPT	SSP535
Sched. 40 304 SS	1/2" NPT	SSP585
Sched. 40 316 SS	1/4" NPT	SSP554
Sched. 40 316 SS	1/2" NPT	SSP557
Sched. 80 Carbon Steel	1/4" NPT	SSP556
Sched. 80 304 SS	1/4" NPT	SSP595

1/4" Syphon



1/2" Syphon



Series Number (for custom, non-standard product)

	S	S	P	-		-		-		-		-	
SERIES													
PIPE SCHEDULE													
40					4	0							
80					8	0							
Double Extra					2	0							
MATERIAL													
Brass													B
Steel													S
304 stainless steel													4
316 stainless steel													6
CONNECTION SIZE													
1/4"													4
3/8"													3
1/2"													2
CONNECTION THREAD													
NPT													N
BSP													B
BSPT													T
OPTIONS													
90 degree angle													9