



1. Optional U-Clamp
2. Optional Front Flange

Description & Features:

- Pulsation resistant, liquid filled stainless steel case
- Glycerin filled
- Brass and stainless steel internals
- Restricted orifice
- Crimp-On bezel
- Dual scale (psi/kPa)
- Optional U-Clamps and front flanges
- CRN registered
- 3 year warranty

Applications:

- Ideal for pumps, compressors, hydraulic presses, machinery, pneumatic equipment and motors in harsh environments

Specifications	
Dial	1.5" (40mm), 2.5" (63mm), 4" (100mm), white aluminum with black and red markings
Case	AISI 304 SS
Lens	Polycarbonate
Ring	AISI 304 SS, Crimp-On
Socket	OT 58 brass or AISI 316 SS
Connection	1/8", 1/4" NPT or 1/2" NPT standard with restricted orifice
Fill Liquid	Glycerin
Bourdon Tube	1.5" (40mm): Brass C-shaped for pressures up to and including 600 psi (4,147 kPa); SS C-shaped for pressures over 600 psi (4,136 kPa) 2.5" (63mm), 4" (100mm): Phosphor bronze C-shaped for pressures up to and including 600 psi (4,147 kPa) unless SS internals are specified - AISI 316 SS C-shaped for 1000 psi (6,895 kPa), AISI 316 SS spiral for pressures above 1000 psi (6,895 kPa)
Movement	OT 59 brass or SS
Pointer	Aluminum, anodized black
Welding	Tin/copper alloy for pressures below 600 psi (4,147 kPa), 316 SS TIG Argon arc for pressures 600 psi (4,147 kPa) and above
Over-Pressure Limit	25% for pressures up to 1,400 psi (9,653 kPa), 15% for pressures over 1,400 psi (9,653 kPa)
Gasket Material	Silicone rubber for socket; EPDM for lens, filling plug and blow-out vent
Working Pressure	Maximum 75% of full scale value
Ambient/Process Temperature	-14°F to 150°F (-25°C to 165°C)
Accuracy	1.5" (40mm): ±2.5% of full scale 2.5" (63mm), 4" (100mm): ±1.5% of full scale
Enclosure Rating	IP65

Note: 1.5" (40mm) gauges are available dry (non-liquid filled) only on a special order basis

Order Codes (products in bold are normally in stock)

Dial Size	1.5 (40mm)				2.5 (63mm)			
Connection	1/8" Bottom	1/8" Back (CB)	1/8" Bottom	1/8" Back (CB)	1/4" Bottom	1/4" Back (CB)	1/4" Bottom	1/4" Back (CB)
Movement Socket, Tube	Brass	Brass	SS	SS	Brass	Brass	SS	SS
30" Hg Vacuum/kPa	-	-	PFQ1200	PFQ1220	PFQ801	PFQ900	PFQ106	PFQ147
30"-0-15 psi/kPa	-	-	-	-	PFQ790	PFQ890	PFQ107	PFQ148
30"-0-30 psi/kPa	-	-	-	-	PFQ798	PFQ898	PFQ108	PFQ149
30"-0-60 psi/kPa	-	-	-	-	PFQ799	PFQ899	PFQ109	PFQ151
30"-0-100 psi/kPa	-	-	-	-	PFQ791	PFQ891	PFQ110	PFQ156
30"-0-150 psi/kPa	-	-	-	-	PFQ792	PFQ892	PFQ111	PFQ157
30"-0-200 psi/kPa	-	-	-	-	PFQ794	PFQ894	PFQ112	PFQ158
30"-0-300 psi/kPa	-	-	-	-	PFQ795	PFQ895	PFQ113	PFQ159
0-15 psi/kPa	-	-	PFQ1201	PFQ1221	PFQ800	PFQ901	PFQ118	PFQ162
0-30 psi/kPa	PFQ1102	PFQ1122	PFQ1202	PFQ1222	PFQ802	PFQ902	PFQ119	PFQ163
0-60 psi/kPa	PFQ1103	PFQ1123	PFQ1203	PFQ1223	PFQ803	PFQ903	PFQ120	PFQ164
0-100 psi/kPa	PFQ1104	PFQ1124	PFQ1204	PFQ1224	PFQ804	PFQ904	PFQ121	PFQ169
0-160 psi/kPa	PFQ1105	PFQ1125	PFQ1205	PFQ1225	PFQ805	PFQ905	PFQ122	PFQ170
0-200 psi/kPa	PFQ1106	PFQ1126	PFQ1206	PFQ1226	PFQ806	PFQ906	PFQ123	PFQ171
0-300 psi/kPa	PFQ1107	PFQ1127	PFQ1207	PFQ1227	PFQ807	PFQ907	PFQ124	PFQ175
0-400 psi/kPa	-	-	-	-	PFQ817	PFQ917	PFQ125	PFQ177
0-600 psi/kPa	PFQ1108	PFQ1128	PFQ1208	PFQ1228	PFQ808	PFQ908	PFQ126	PFQ178
0-1,000 psi/kPa	PFQ1109	PFQ1129	PFQ1209	PFQ1229	PFQ809	PFQ909	PFQ127	PFQ179
0-1,500 psi/kPa	PFQ1110	PFQ1130	PFQ1210	PFQ1230	PFQ816	PFQ914	PFQ128	PFQ180
0-2,000 psi/kPa	PFQ1111	PFQ1131	PFQ1211	PFQ1231	PFQ810	PFQ910	PFQ129	PFQ181
0-3,000 psi/kPa	PFQ1112	PFQ1132	PFQ1212	PFQ1232	PFQ811	PFQ911	PFQ137	PFQ182
0-5,000 psi/kPa	PFQ1113	PFQ1133	PFQ1213	PFQ1233	PFQ812	PFQ912	PFQ138	PFQ183
0-6,000 psi/kPa	-	-	-	-	PFQ814	PFQ915	PFQ139	PFQ184
0-7,500 psi/kPa	-	-	-	-	PFQ818	PFQ918	PFQ144	PFQ186
0-10,000 psi/kPa	-	-	-	-	PFQ813	PFQ913	PFQ145	PFQ190
0-15,000 psi/kPa	-	-	-	-	-	-	PFQ146	PFQ191

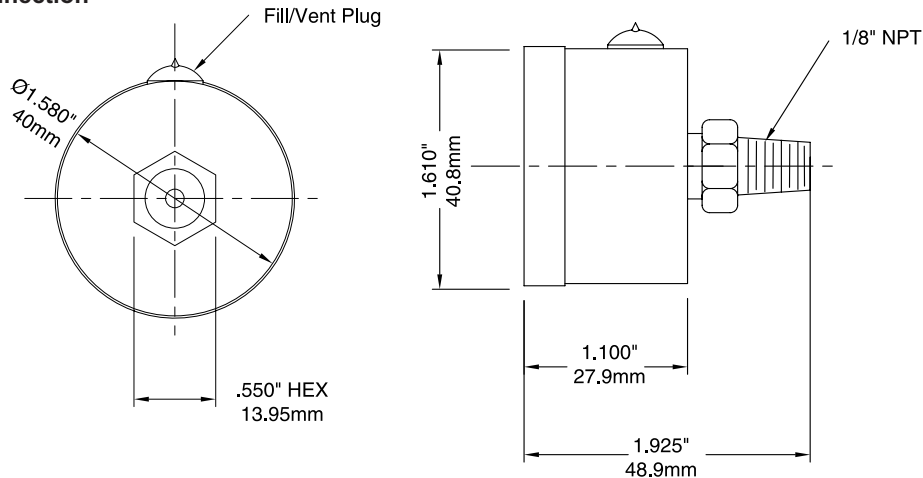
Option suffix for above order codes only:

4BF = 4" (100mm) Back Flange
 (100mm) Front Flange
 25BF = 2.5" (63mm) Back Flange
 25FF = 2.5" (63mm) Front Flange

Dry = Supply above gauge less liquid fill
 SF25 = Silicone Filled 2.5"
 4UC-Q = 4" (100mm) U-Clamp
 Other ranges available upon request

25UC = 2.5" (63mm) U-Clamp
 4FF = 4" U-Clamp
 SF4 = Silicone Filled 4"

1.5" Back Connection



Order Codes (products in bold are normally in stock)

Dial Size	4" (100mm)				4" (100mm)			
	1/4" Bottom	1/2" Bottom	1/4" Back (CB)	1/2" Back (CB)	1/4" Bottom	1/2" Bottom	1/4" Back (CB)	1/2" Back (CB)
Movement, Socket, Tube	Brass	Brass	Brass	Brass	SS	SS	SS	SS
30" Hg Vacuum/kPa	PFQ700	PFQ1234	PFQ730	PFQ1285	PFQ760	PFQ1535	PFQ1260	PFQ1559
30"-0-15 psi/kPa	PFQ701	PFQ1235	PFQ731	PFQ1286	PFQ761	PFQ1536	PFQ1261	PFQ1560
30"-0-30 psi/kPa	PFQ702	PFQ1236	PFQ732	PFQ1287	PFQ762	PFQ1537	PFQ1262	PFQ1561
30"-0-60 psi/kPa	PFQ703	PFQ1237	PFQ733	PFQ1288	PFQ763	PFQ1538	PFQ1263	PFQ1562
30"-0-100 psi/kPa	PFQ704	PFQ1238	PFQ734	PFQ1289	PFQ764	PFQ1539	PFQ1264	PFQ1563
30"-0-150 psi/kPa	PFQ705	PFQ1239	PFQ735	PFQ1290	PFQ765	PFQ1540	PFQ1265	PFQ1564
30"-0-200 psi/kPa	PFQ706	PFQ1240	PFQ736	PFQ1291	PFQ766	PFQ1541	PFQ1266	PFQ1565
30"-0-300 psi/kPa	PFQ707	PFQ1241	PFQ737	PFQ1292	PFQ767	PFQ1542	PFQ1267	PFQ1566
0-15 psi/kPa	PFQ708	PFQ1242	PFQ738	PFQ1293	PFQ768	PFQ1543	PFQ1268	PFQ1567
0-30 psi/kPa	PFQ709	PFQ1243	PFQ739	PFQ1294	PFQ769	PFQ1544	PFQ1269	PFQ1568
0-60 psi/kPa	PFQ710	PFQ1244	PFQ740	PFQ1295	PFQ770	PFQ1545	PFQ1270	PFQ1569
0-100 psi/kPa	PFQ711	PFQ1245	PFQ741	PFQ1296	PFQ771	PFQ1546	PFQ1271	PFQ1570
0-160 psi/kPa	PFQ712	PFQ1246	PFQ742	PFQ1298	PFQ772	PFQ1547	PFQ1272	PFQ1571
0-200 psi/kPa	PFQ713	PFQ1247	PFQ743	PFQ1524	PFQ773	PFQ1548	PFQ1273	PFQ1572
0-300 psi/kPa	PFQ714	PFQ1248	PFQ744	PFQ1525	PFQ774	PFQ1549	PFQ1274	PFQ1573
0-400 psi/kPa	PFQ715	PFQ1249	PFQ745	PFQ1526	PFQ775	PFQ1550	PFQ1275	PFQ1574
0-600 psi/kPa	PFQ716	PFQ1250	PFQ746	PFQ1527	PFQ776	PFQ1551	PFQ1276	PFQ1575
0-1,000 psi/kPa	PFQ724	PFQ717	PFQ192	PFQ747	PFQ1528	PFQ777	PFQ1552	PFQ1277
0-1,500 psi/kPa	PFQ725	PFQ718	PFQ241	PFQ748	PFQ1529	PFQ778	PFQ1553	PFQ1278
0-2,000 psi/kPa	PFQ726	PFQ719	PFQ242	PFQ749	PFQ1530	PFQ779	PFQ1554	PFQ1279
0-3,000 psi/kPa	PFQ727	PFQ720	PFQ243	PFQ750	PFQ1531	PFQ780	PFQ1555	PFQ1280
0-5,000 psi/kPa	PFQ728	PFQ721	PFQ244	PFQ751	PFQ1532	PFQ781	PFQ1556	PFQ1281
0-6,000 psi/kPa	-	PFQ784	PFQ246	PFQ785	-	PFQ789	-	PFQ1284
0-7,500 psi/kPa	-	-	PFQ247	-	-	-	-	-
0-10,000 psi/kPa	PFQ729	PFQ722	PFQ360	PFQ752	PFQ1533	PFQ782	PFQ1557	PFQ1282
0-15,000 psi/kPa	-	PFQ723	PFQ361	PFQ753	PFQ1534	PFQ783	PFQ1558	PFQ1283

Option suffix for above order codes only:

25UC = 2.5" (63mm) U-Clamp

Dry = supply above gauge less liquid fill

25BF = 2.5" (63mm) Back Flange

15UC = 1.5" U-Clamp

4UC-Q = 4" (100mm) U-Clamp

25FF = 2.5" (63mm) Front Flange

4FF = 4" (100mm) Front Flange

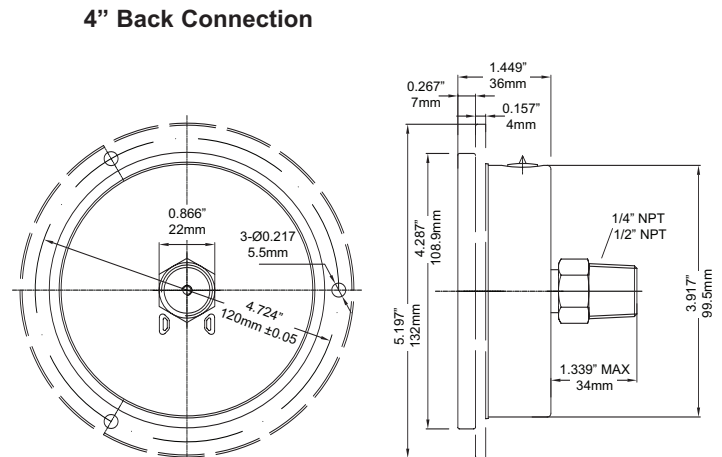
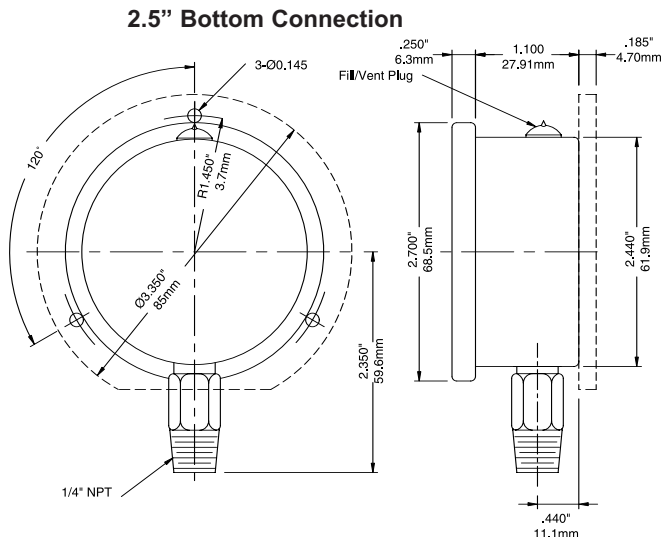
SF25 = Silicone Filled 2.5"

4UC-P = 4" U-Clamp

4BF = 4" (100mm) Back Flange

SF4 = Silicone

Other ranges available upon request



Series Number (for custom, non-standard product)

	P	F	Q															
SERIES																		
DIAL SIZE																		
1.5" (40mm)				1	5													
2.5" (63mm)				2	5													
4.0" (100mm)				4	0													
6.0" (150mm)				6	0													
CASE MATERIALS																		
304SS							T											
WETTED PARTS																		
Brass																		B
316SS																		S
Special																		Z
CONFIGURATION																		
Bottom Connection, Stem Mounting																		A
Bottom Connection, Back Flange, Surface Mounting																		B
Bottom Connection, Front Flange, Surface Mounting																		C
Back Connection, Stem Mounting																		D
Back Connection, Back Flange, Surface Mounting																		E
Back Connection, Wide Front Flange, (Drilled) Panel Mounting																		F
Back Connection, Narrow Front Ring, Panel Mounting (Yoke)																		V
Special																		Z
CONNECTION SIZE																		
1/8"																		8
1/4"																		4
1/2"																		2
Special																		Z
THREAD																		
NPT																		N
BSP (G)																		B
BSPT (R)																		T
M14 x 1.5																		F
M20 x 1.5																		M
Special																		Z
PRIMARY SCALE																		
UNITS - See Page 10																		
RANGE - See Page 10																		
SECONDARY SCALE																		
UNITS - See Page 10																		
OPTIONS																		
Black Rubber Boot																		S Z
Fluorolube Filled																		S R
Glycerin Filled																		S E
Halocarbon Filled																		S Q
Silicone Filled																		S D
Stainless Steel Tag Plate																		S M
StabiliZR™ Movement																		S 3
Test Certificate																		S O
U-Clamp																		S H
Back Flange + U-Clamp																		D G
Front Flange + U-Clamp																		D H
Maximum Adjustable Pointer																		S J
Oxygen Cleaning																		S L
No Options																		X X