

# D71 #70 NACE Diaphragm Seals (Stainless Steel)



## Description & Features:

- Can be used on applications requiring a NACE compliant MR0175-2003 diaphragm seal
- 1 year warranty

## Applications:

- Sour gas applications requiring instrumentation that meet NACE International Standards

| Specifications             |  |
|----------------------------|--|
| <b>Housing</b>             | 316 SS   |
| <b>Diaphragm</b>           | 316 SS   |
| <b>Construction</b>        | Two piece construction   |
| <b>Connection</b>          | Top: 1/4" and 1/2" NPT<br>Bottom: 1/4", 1/2", 3/4" and 1" NPT                            |
| <b>Process Temperature</b> | -22°F to 212°F (-30°C to 100°C).<br>Higher temperature ranges are available upon request |
| <b>Other</b>               | Flushing connections available. Other materials available upon request.                  |

## Order Codes

| Upper Housing (Top)                      |          |
|--|----------|
| 316 SS, 1/4" NPT conn., Monel® diaphragm | D7195003 |
| 316 SS, 1/2" NPT conn., Monel® diaphragm | D7195203 |
| Lower Housing (Bottom)                   |          |
| 316 SS, 1/4" NPT conn.                   | D7195403 |
| 316 SS, 1/2" NPT conn.                   | D7195603 |
| 316 SS, 1/2" NPT conn. with flushing     | D7195703 |
| 316 SS, 3/4" NPT conn. with flushing     | D7195903 |
| 316 SS, 1" NPT conn.                     | D7196303 |
| 316 SS, 1" NPT conn.                     | D7196403 |
| 316 SS, 1" NPT conn. with flushing       | D7196503 |

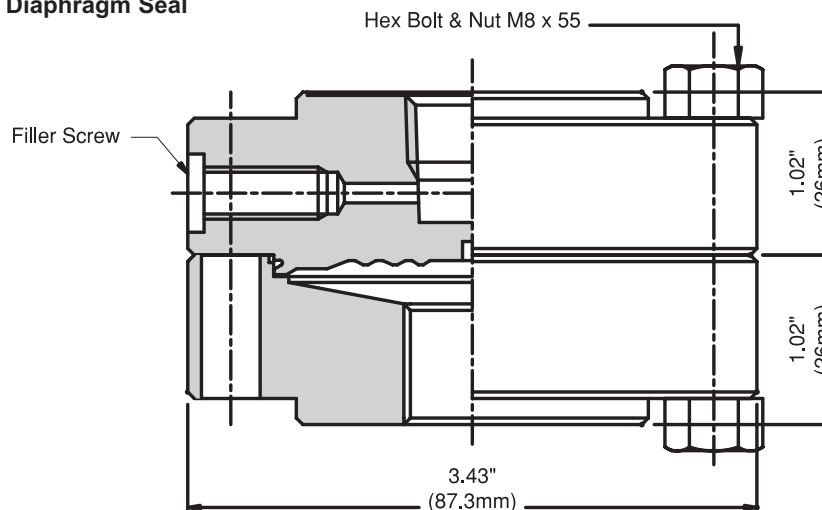
## Option suffix for above order codes only:

SF-D = Silicone fill (seal only)

FL-D = Fluorolube fill (seal only)

Other fill fluids (seal only) available upon request

## #70 NACE Diaphragm Seal



Monel® is a registered trademark of Inco Alloys International

## Series Number (for custom, non-standard product)

|                                   | D | 7 | 1 | - |   |   | - |  |   | - |  |  |  |   |  |  |   |
|-----------------------------------|---|---|---|---|---|---|---|--|---|---|--|--|--|---|--|--|---|
| <b>SERIES</b>                     |   |   |   |   |   |   |   |  |   |   |  |  |  |   |  |  |   |
| <b>GAUGE CONNECTION</b>           |   |   |   |   |   |   |   |  |   |   |  |  |  |   |  |  |   |
| 1/4" NPT female                   |   |   |   |   | 4 | N |   |  |   |   |  |  |  |   |  |  |   |
| 3/8" BSP female                   |   |   |   |   | 3 | B |   |  |   |   |  |  |  |   |  |  |   |
| 1/2" BSPT female                  |   |   |   |   | 2 | T |   |  |   |   |  |  |  |   |  |  |   |
| M20 X 1.5 female                  |   |   |   |   | M | 2 |   |  |   |   |  |  |  |   |  |  |   |
| <b>PROCESS CONNECTION</b>         |   |   |   |   |   |   |   |  |   |   |  |  |  |   |  |  |   |
| 1/4" NPT female                   |   |   |   |   |   | 4 | N |  |   |   |  |  |  |   |  |  |   |
| 3/8" BSP female                   |   |   |   |   |   | 3 | B |  |   |   |  |  |  |   |  |  |   |
| 1/2" BSPT female                  |   |   |   |   |   | 2 | T |  |   |   |  |  |  |   |  |  |   |
| 3/4"                              |   |   |   |   |   | 5 |   |  |   |   |  |  |  |   |  |  |   |
| 1"                                |   |   |   |   |   | 1 |   |  |   |   |  |  |  |   |  |  |   |
| M20 X 1.5 female                  |   |   |   |   |   | M | 2 |  |   |   |  |  |  |   |  |  |   |
| <b>DIAPHRAGM MATERIALS</b>        |   |   |   |   |   |   |   |  |   |   |  |  |  |   |  |  |   |
| 316SS (<22 HRC)                   |   |   |   |   |   |   |   |  | S |   |  |  |  |   |  |  |   |
| Hastelloy C                       |   |   |   |   |   |   |   |  | H |   |  |  |  |   |  |  |   |
| <b>LOWER HOUSING MATERIALS</b>    |   |   |   |   |   |   |   |  |   |   |  |  |  |   |  |  |   |
| 316SS (<22 HRC)                   |   |   |   |   |   |   |   |  |   | S |  |  |  |   |  |  |   |
| Hastelloy C                       |   |   |   |   |   |   |   |  |   | H |  |  |  |   |  |  |   |
| <b>FLUSHING CONNECTION</b>        |   |   |   |   |   |   |   |  |   |   |  |  |  |   |  |  |   |
| None (standard)                   |   |   |   |   |   |   |   |  |   |   |  |  |  | N |  |  |   |
| 1/4" NPT                          |   |   |   |   |   |   |   |  |   |   |  |  |  | 4 |  |  |   |
| <b>OPTIONS</b>                    |   |   |   |   |   |   |   |  |   |   |  |  |  |   |  |  |   |
| 1m SS Remote Capillary            |   |   |   |   |   |   |   |  |   |   |  |  |  |   |  |  | 1 |
| 1.6m SS Remote Capillary          |   |   |   |   |   |   |   |  |   |   |  |  |  |   |  |  | 6 |
| 2m SS Remote Capillary            |   |   |   |   |   |   |   |  |   |   |  |  |  |   |  |  | 2 |
| 3m SS Remote Capillary            |   |   |   |   |   |   |   |  |   |   |  |  |  |   |  |  | 3 |
| 4m SS Remote Capillary            |   |   |   |   |   |   |   |  |   |   |  |  |  |   |  |  | 4 |
| 5m SS Remote Capillary            |   |   |   |   |   |   |   |  |   |   |  |  |  |   |  |  | 5 |
| 8m SS Remote Capillary            |   |   |   |   |   |   |   |  |   |   |  |  |  |   |  |  | 8 |
| Others                            |   |   |   |   |   |   |   |  |   |   |  |  |  |   |  |  | X |
| No Armour                         |   |   |   |   |   |   |   |  |   |   |  |  |  |   |  |  | 0 |
| SS Armour                         |   |   |   |   |   |   |   |  |   |   |  |  |  |   |  |  | S |
| Glycerine/water-filled (-10/120C) |   |   |   |   |   |   |   |  |   |   |  |  |  |   |  |  | A |
| Silicone-filled (-20/200C)        |   |   |   |   |   |   |   |  |   |   |  |  |  |   |  |  | B |
| Silicone-filled (-90/100C)        |   |   |   |   |   |   |   |  |   |   |  |  |  |   |  |  | C |
| Halocarbon (-40/175C)             |   |   |   |   |   |   |   |  |   |   |  |  |  |   |  |  | D |
| Fluorolube-filled                 |   |   |   |   |   |   |   |  |   |   |  |  |  |   |  |  | E |
| High Temperature Oil (-20/400C)   |   |   |   |   |   |   |   |  |   |   |  |  |  |   |  |  | F |