



### Description & Features:

- Gauge designed to be used with most standard double ferrule tube fittings, such as Parker A-Lok®
- Heavy duty, stainless steel, liquid-filled gauge
- Back, bottom, or panel mount configurations
- ±1.5% accuracy
- Facilitates 360° orientation
- Elimination of leak point
- Teflon® free connection
- 5 year warranty

### Applications:

- Specifically designed to be utilized with tube fitting applications
- Allows installation where space is limited
- Used where Teflon® free connection is needed
- Used where gauge alignment is critical

Specifications	
Dial	2.5" (63mm) aluminum with red and black markings
Case	Grade 304 SS
Lens	Polycarbonate
Ring	304 SS, bayonet
Block	316L SS
Socket	316L SS
Connection	1/4" Tube Stub
Bourdon Tube	316L SS
Movement	304 SS
Pointer	Aluminum, anodized black
Welding	TIG
Fill Fluid	Glycerin
Over-pressure Limit	115% full scale
Gasket Materials	Neoprene
Working Pressure	75% of full scale
Ambient/Process Temperature	-40°F to 150°F (-40°C to 65°C) dry -4°F to 150°F (-20°C to 65°C) filled
Accuracy	±1.5% of full scale
Enclosure Rating	IP66 per UEC 529, UNI 8896

Teflon® is a registered trademark of Dupont Corporation  
A-Lok® is a registered trademark of Parker Hannifin Corporation

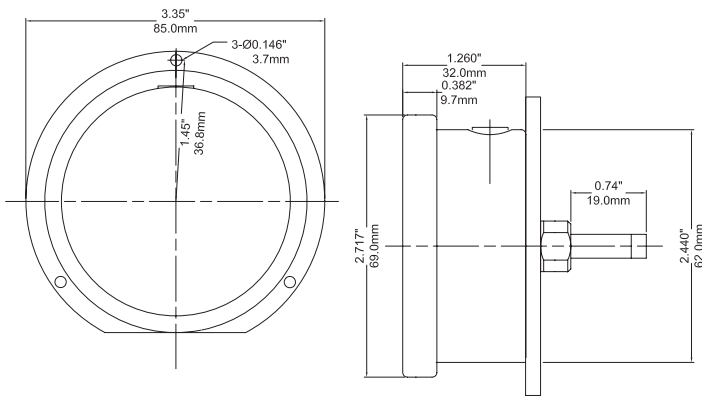
Order Codes (products in bold are normally in stock)

Dial Size	2.5 (63mm)	
Connection/Tube	1/4" Bottom	1/4" Back (CB)
30" Hg Vacuum	<b>PTS820-TS</b>	PTS840-TS
30"-0-15 psi	PTS860-TS	PTS870-TS
30"-0-30 psi	PTS861-TS	PTS871-TS
30"-0-60 psi	<b>PTS862-TS</b>	PTS872-TS
30"-0-100 psi	PTS863-TS	PTS873-TS
30"-0-160 psi	PTS864-TS	PTS874-TS
30"-0-200 psi	PTS866-TS	PTS876-TS
30"-0-300 psi	PTS867-TS	PTS877-TS
0-15 psi	<b>PTS821-TS</b>	PTS921-TS
0-30 psi	PTS822-TS	<b>PTS922-TS</b>
0-60 psi	PTS823-TS	PTS923-TS
0-100 psi	PTS824-TS	PTS924-TS
0-160 psi	PTS825-TS	PTS925-TS
0-200 psi	PTS826-TS	<b>PTS926-TS</b>
0-300 psi	PTS827-TS	PTS927-TS
0-400 psi	PTS880-TS	PTS881-TS
0-600 psi	PTS828-TS	PTS928-TS
0-1,000 psi	PTS829-TS	PTS929-TS
0-3,000 psi	PTS831-TS	PTS931-TS
0-5,000 psi	PTS832-TS	PTS852-TS

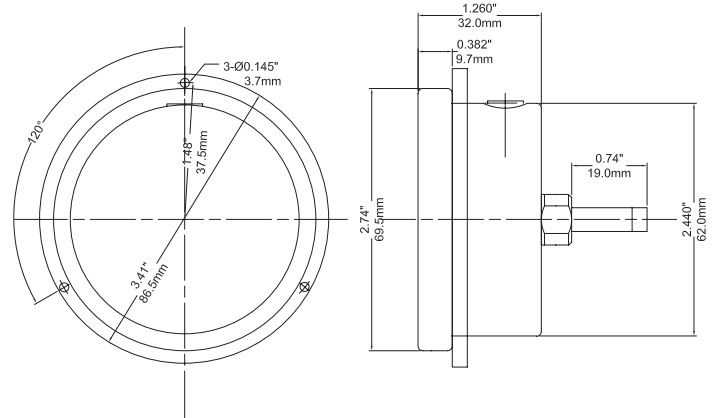
Option suffix for above order codes only:

- DRY = No liquid fill
- SG-25 = 2.5" (63mm) Safety Glass Lens
- 25BF = 2.5" (63mm) Back Flange
- 25UC = U-Clamp for Panel Mounting
- 25FF = Front Flange for Panel Mounting
- 25BOOT = Protective Black Rubber Boot

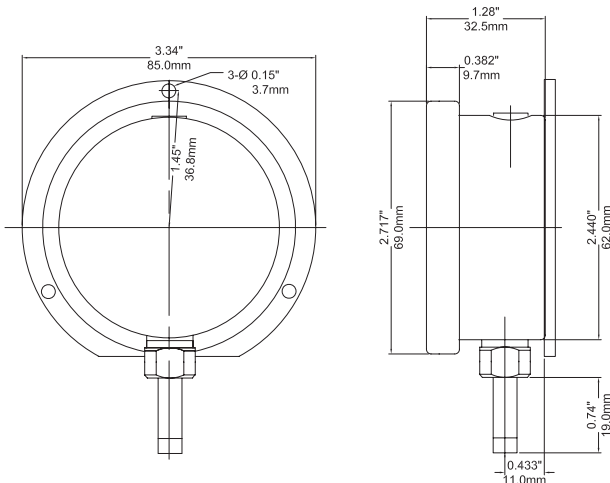
2.5" Back Connection - Back Flange



2.5" Back Connection - Front Flange



2.5" Bottom Connection - Back Flange



2.5" Back Connection - U-Clamp

