

**Description & Features:**

- Prolongs the life of pressure instruments by reducing the damaging effects of pulsation
- 1 year warranty

Applications:

- Can be utilized to change the amount of restriction
- Pumps, compressors, hydraulic presses or fluid power applications

Specifications	
Body	Brass or SS
Connection	1/4" or 1/2" NPT Male x Female
Temperature Rating	-40°F to 248°F (-40°C to 120°C)

Specifications	
Body	Brass or SS
Connection	1/4" or 1/2" NPT Male x Female
Temperature Rating	-40°F to 248°F (-40°C to 120°C)

	Description	SS	Brass
1*	Gland Seal	Teflon®	Teflon®
2*	Stem	316 SS	316 SS
3*	Gland	316 SS	Brass
4*	Gland Washer	316 SS	316 SS
5*	Body	316 SS	Brass

Caution: When adjusting the valve, do not adjust more than two turns from the closed position as leakage will occur

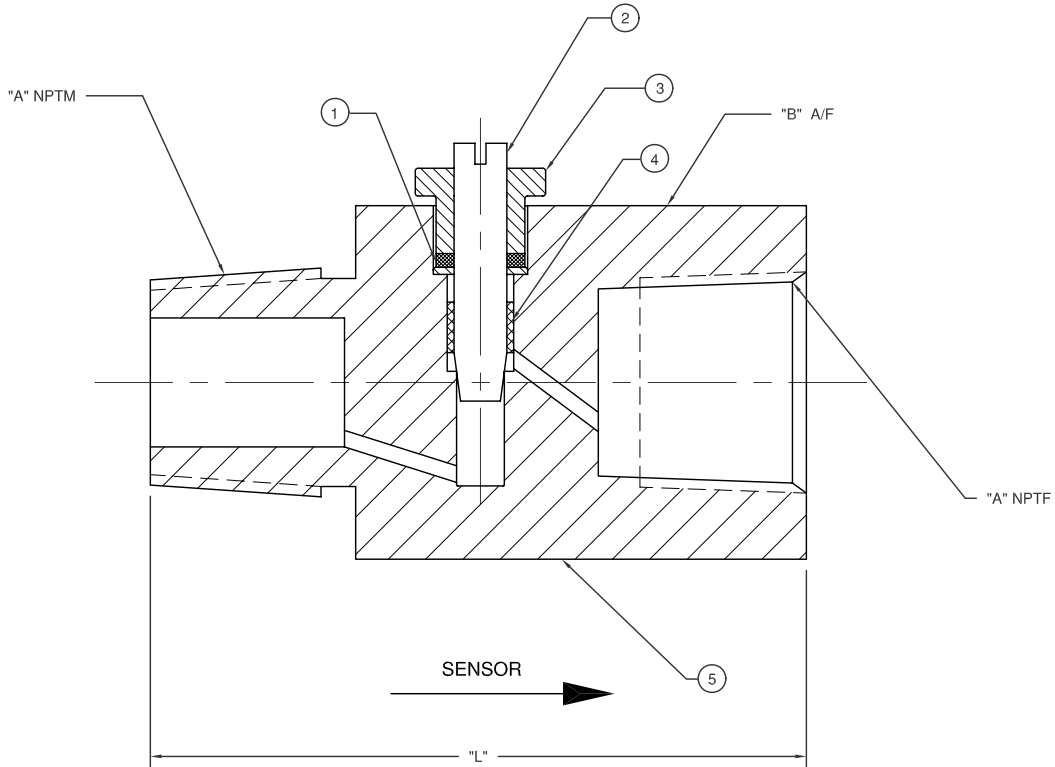
*Refer to drawing

Order Codes (products in bold are normally in stock)

Pressure Rating	Material / NPT Connection	Seal	Code
6,000 psi/kPa	Brass 1/4" MxF	Teflon®	SAS540
6,000 psi/kPa	Brass 1/2" MxF	Teflon®	SAS541
6,000 psi/kPa	SS 1/4" MxF	Teflon®	SAS542
10,000 psi/kPa	SS 1/2" MxF	Teflon®	SAS543

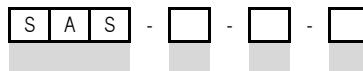
Teflon® is a registered trademark of Dupont Corporation

SAS Adjustable Snubber



A	L	B
1/2" NPT	62mm/2.44"	32mm/1.26"
1/4" NPT	52mm/2.05"	22mm/0.87"

Series Number (how to order)



SERIES

MATERIAL

Brass

316SS

CONNECTION SIZE

1/4"

3/8"

1/2"

THREAD

NPT

BSP (G)

BSPT (R)

B

S

4

3

2

N

B

T