

# D71 #70 NACE Diaphragm Seals (Stainless Steel)



## Description & Features:

- Can be used on applications requiring a NACE compliant MR0175-2003 diaphragm seal
- CRN registered available upon request
- 1 year warranty

## Applications:

- Sour gas applications requiring instrumentation that meet NACE International Standards

| Specifications             |  |
|----------------------------|--|
| <b>Housing</b>             | 316 SS   |
| <b>Diaphragm</b>           | 316 SS   |
| <b>Construction</b>        | Two piece construction   |
| <b>Connection</b>          | Top: 1/4" and 1/2" NPT<br>Bottom: 1/4", 1/2", 3/4" and 1" NPT                            |
| <b>Process Temperature</b> | -22°F to 212°F (-30°C to 100°C).<br>Higher temperature ranges are available upon request |
| <b>Other</b>               | Flushing connections available. Other materials available upon request.                  |

## Order Codes

| Upper Housing (Top)                      |          |
|--|----------|
| 316 SS, 1/4" NPT conn., Monel® diaphragm | D7195003 |
| 316 SS, 1/2" NPT conn., Monel® diaphragm | D7195203 |
| Lower Housing (Bottom)                   |          |
| 316 SS, 1/4" NPT conn.                   | D7195403 |
| 316 SS, 1/2" NPT conn.                   | D7195603 |
| 316 SS, 1/2" NPT conn. with flushing     | D7195703 |
| 316 SS, 3/4" NPT conn. with flushing     | D7195903 |
| 316 SS, 1" NPT conn.                     | D7196303 |
| 316 SS, 1" NPT conn.                     | D7196403 |
| 316 SS, 1" NPT conn. with flushing       | D7196503 |

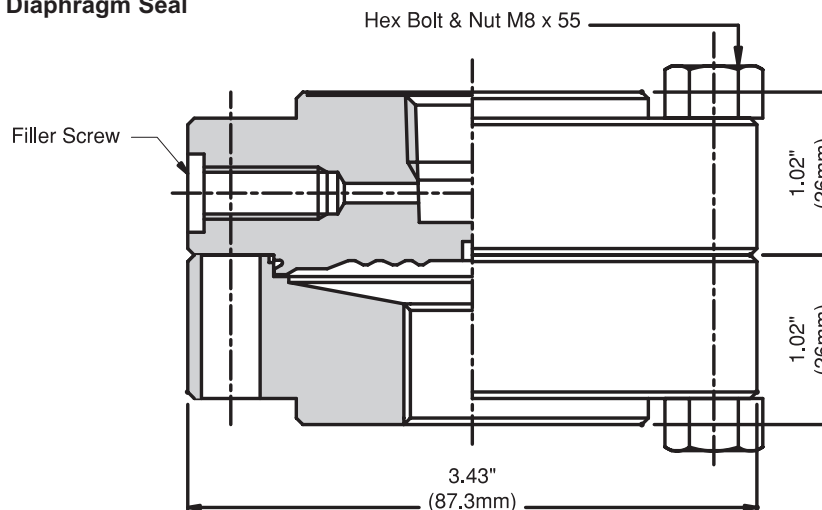
## Option suffix for above order codes only:

SF-D = Silicone fill (seal only)

FL-D = Fluorolube fill (seal only)

Other fill fluids (seal only) available upon request

## #70 NACE Diaphragm Seal



Monel® is a registered trademark of Inco Alloys International