



### Description & Features:

- A versatile thermometer that provides a solar powered digital readout commonly used in the industrial and commercial plumbing trade
- Low light compatible (16 Lux minimum)
- Includes a separable thermowell
- Durable ABS case
- Switchable temperature scale (°F or °C)
- Vari-angle connection for easy installation
- ±1% accuracy
- 1 year warranty

### Applications:

- New construction, plumbing, water lines, boilers, heating, ventilation and air conditioning

Specifications	
<b>Display</b>	2.55" x 4.67" (63.7mm x 116.7mm) solar powered display
<b>Housing</b>	High impact ABS plastic housing with aluminum movable parts
<b>Lux Rating</b>	16 Lux
<b>Stem Length</b>	3.5" (90mm), 6" (150mm)
<b>Connection / Thermowell</b>	3/4" NPT, with brass thermowell standard 1 1/4" UNF swivel nut (without thermowell)
<b>Temperature Range</b>	-50°F to 320°F (-45°C to 160°C)
<b>Read Interval</b>	Every 6 seconds
<b>Ambient Temperature</b>	14°F to 150°F (-10°C to 65°C)
<b>Process Temperature</b>	-50°F to 320°F (-45°C to 160°C)
<b>Accuracy</b>	±1%
<b>Enclosure Rating</b>	NEMA 5 / IP54

### Order Codes (products in bold are normally in stock)

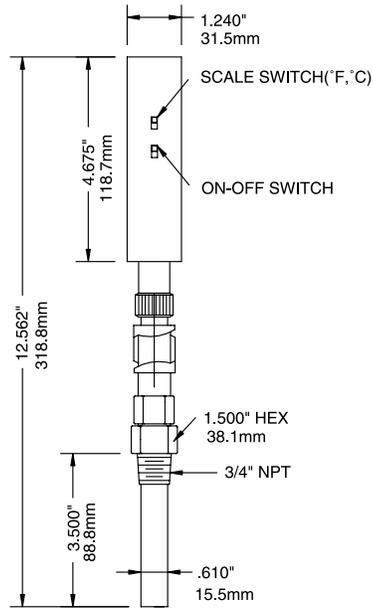
Stem/Ranges	Code (Includes Thermowell)
3.5" (90mm) Stem (-50°F to 320°F or -45°C to 160°C)	<b>TSD9ITSD</b>
6" (150mm) Stem (-50°F to 320°F or -45°C to 160°C)	<b>TSD9ITSD6</b>

Note: Duct flange available upon request

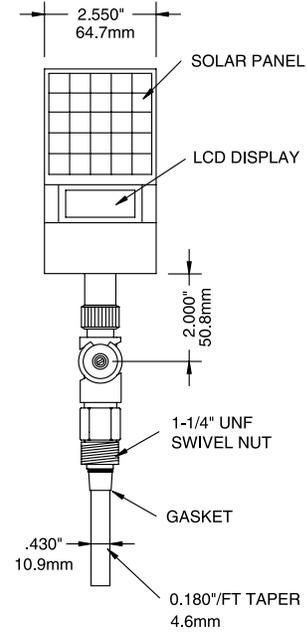
Union connection available upon request

For an Industrial 9IT Thermowell, please refer to the Industrial 9IT Thermowell product page

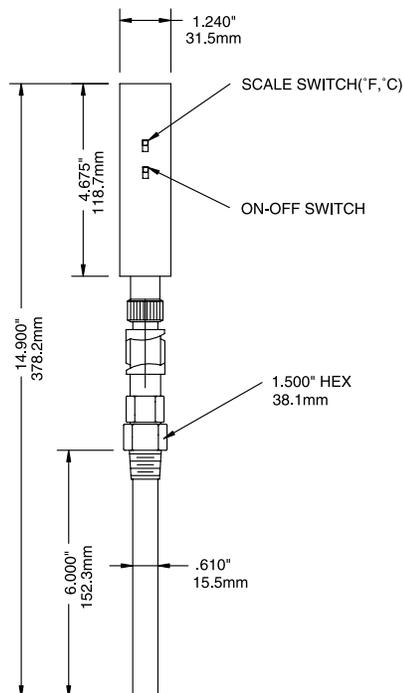
**3.5" Stem with Thermowell**



**3.5" Stem without Thermowell**



**6" Stem with Thermowell**



**6" Stem without Thermowell**

