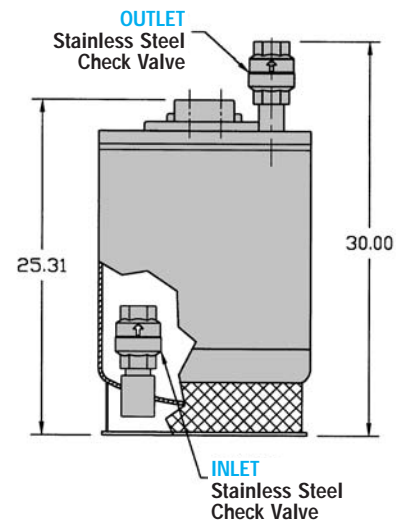
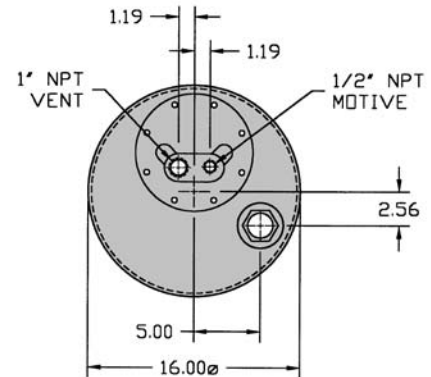


NON-ELECTRIC CONDENSATE PUMPS

PMPSP

Sump Drainer

Watson McDaniel reserves the right to change the designs and/or materials of its products without notice.
©2006 Watson McDaniel Company



Model	PMPSP
Body	Carbon Steel
Cover	Ductile Iron
Check Valves	Stainless Steel
PMO Max. Operating Pressure	150 PSIG
TMO Max. Operating Temperature	366°F
PMA Max. Allowable Pressure	150 PSIG @ 650°F

Connection Sizes	
NPT	
Inlet	Outlet
1 1/2" x	1 1/2"
2" x	2"
3" x	2"

TYPICAL APPLICATIONS

The **PMPSP** Sump Drainer uses the identical internal mechanism as the standard PMP models. The piping configuration is such that the liquid is discharged vertical upwards as opposed to horizontally out the side. This allows the unit to be easily positioned inside of a sump area. Condensate or water from the sump enters the tank through a stainless steel low resistance check valve.

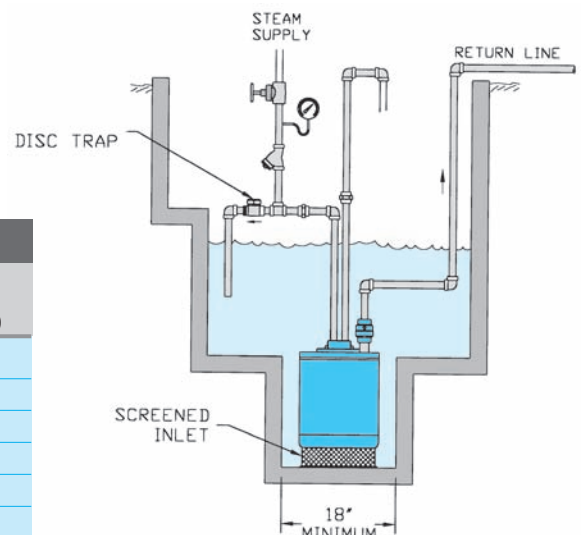
FEATURES

- Equipped with our **Patented "Snap-Assure" Mechanism** which extends the useful life of the pump
- Mechanism incorporates **heat-treated stainless steel wear items**
- All stainless steel internals for ultimate corrosion resistance
- Dual compression springs made from **Inconel-X-750** for high-temperature corrosive service.
- Operates using steam, air, nitrogen or other pressurized gases as the motive force
- **Non-Electric** – can be used in remote locations or **NEMA 4, 7, 9** & hazardous areas

CAPACITIES – Water (gpm) for 1 1/2" x 1 1/2" Size

Motive Pressure (PSIG)	Capacity Correction Factors		Back Pressure (PSIG)					
	2" x 2"	3" x 2"	0	10	20	40	70	100
10	2.5	3	11.7					
20	1.8	2.4	12.5	9.2				
40	1.9	2.4	13.1	10.4	8.7	6.8		
70	1.7	2.4	12.9	11.0	9.4	7.1		
100	1.6	2	12.3	10.6	9.4	7.5	5.4	
125	1.6	2	11.6	10.1	9.0	7.5	5.6	4.3
150	1.6	2	10.7	9.5	8.8	7.2	5.7	4.5

Note: Capacities in above chart are for the 1-1/2" x 1-1/2" model. To determine capacities for the 2" x 2" & 3" x 2" models, multiply capacity in chart by appropriate correction factor.



Snap-Assure Patent No. 6572340